

# Y - SOLO™ PENDANT

PROJECT: \_\_\_\_\_

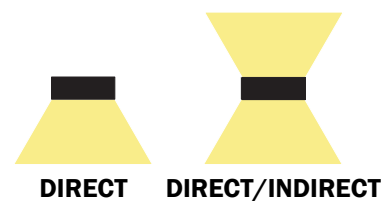
TYPE: \_\_\_\_\_

QUANTITY: \_\_\_\_\_



PN: 680S0

<b>APPLICATION</b>	<ul style="list-style-type: none"><li>• DIRECT OR DIRECT/INDIRECT PENDANT</li><li>• INDOOR RATED</li></ul>
<b>DIMENSIONS</b>	<ul style="list-style-type: none"><li>• AVAILABLE IN 2' - 16' SIZES</li><li>• CUSTOM SIZES AVAILABLE</li></ul>
<b>ILLUMINATION</b>	<ul style="list-style-type: none"><li>• LED 90CRI</li><li>• 8274 - 70558 LUMENS</li></ul>
<b>ELECTRICAL</b>	<ul style="list-style-type: none"><li>• 120 - 277V</li><li>• 6KV SURGE SUPPRESSION STANDARD</li></ul>
<b>DIFFUSERS</b>	<ul style="list-style-type: none"><li>• HIGH EFFICIENCY ACRYLIC</li></ul>
<b>MOUNTING</b>	<ul style="list-style-type: none"><li>• 96" BLACK OR WHITE DROP CORD WITH AIRCRAFT CABLES</li></ul>
<b>CONSTRUCTION</b>	<ul style="list-style-type: none"><li>• ALUMINUM BODY &amp; STAINLESS STEEL HARDWARE</li></ul>
<b>FINISHES</b>	<ul style="list-style-type: none"><li>• AVAILABLE IN SEVERAL TMS POLYESTER POWDER COATED FINISHES</li><li>• CUSTOM RAL FINISHES AVAILABLE</li></ul>
<b>DIMMING</b>	<ul style="list-style-type: none"><li>• 0 - 10V STANDARD</li></ul>
<b>WEIGHT</b>	<ul style="list-style-type: none"><li>• 120 LBS MAXIMUM</li></ul>



# Y - SOLO™ PENDANT



PROJECT: \_\_\_\_\_  
 TYPE: \_\_\_\_\_  
 QUANTITY: \_\_\_\_\_

**680S0** - \_\_\_\_\_ 1 \_\_\_\_\_ 2 \_\_\_\_\_ 3 \_\_\_\_\_ 4 \_\_\_\_\_ 5 \_\_\_\_\_ 6 \_\_\_\_\_ 7 \_\_\_\_\_ 8 \_\_\_\_\_ 9 \_\_\_\_\_ 10 \_\_\_\_\_ 11

1. SPOKE A - DIRECT					
PN	2D	4D	6D	8D	CUS
L (INCH)	24"	48"	72"	96"	CUSTOM SIZE (SPECIFY)

SPOKE A - DIRECT/INDIRECT					
	2ID	4ID	6ID	8ID	CUS
	24"	48"	72"	96"	CUSTOM SIZE (SPECIFY)

2. SPOKE B - DIRECT					
PN	2D	4D	6D	8D	CUS
L (INCH)	24"	48"	72"	96"	CUSTOM SIZE (SPECIFY)

SPOKE B - DIRECT/INDIRECT					
	2ID	4ID	6ID	8ID	CUS
	24"	48"	72"	96"	CUSTOM SIZE (SPECIFY)

3. SPOKE C - DIRECT					
PN	2D	4D	6D	8D	CUS
L (INCH)	24"	48"	72"	96"	CUSTOM SIZE (SPECIFY)

SPOKE C - DIRECT/INDIRECT					
	2ID	4ID	6ID	8ID	CUS
	24"	48"	72"	96"	CUSTOM SIZE (SPECIFY)

4.	30K	35K	40K
CCT	3000	3500	4000

5.	120	277	UNI
VOLTAGE	120V	277V	120-277V

6.	S	D
CIRCUITS	SINGLE	DUAL

7.	SW	BL
DIFFUSER	SATIN	BLACK LENS

8.	BC	WC
CORD	BLACK DROP CORD	WHITE DROP CORD

9.	F04	F05	F15	F16	F18	RAL
FINISH	MATTE WHITE	GLOSS WHITE	MATTE BLACK	GLOSS BLACK	SATIN ALUMINUM	CUSTOM (SPECIFY)

10.	DS	OS	DOS
SENSORS	DAYLIGHT	OCCUPANCY	DAYLIGHT/OCCUPANCY

11.	DIML				
DIMMING	LED DIMMING (0-10V)				

NOTE: SOME OPTIONS MAY NOT BE COMPATIBLE WITH OTHERS. ALL SPECIFICATIONS ARE SUBJECT TO CHANGE WITHOUT NOTICE. CONTACT TMS LIGHTING FOR UPDATED SPECIFICATIONS.

## WATTAGES, LUMENS & WEIGHT PER SPOKE

EXAMPLE:

2D (SPOKE A) + 4D (SPOKE B) + 6D (SPOKE C)

WATTAGE: 27W + 52W + 78W = 157W

LUMENS: 2758 + 5568 + 8381 = 16707 LUMENS

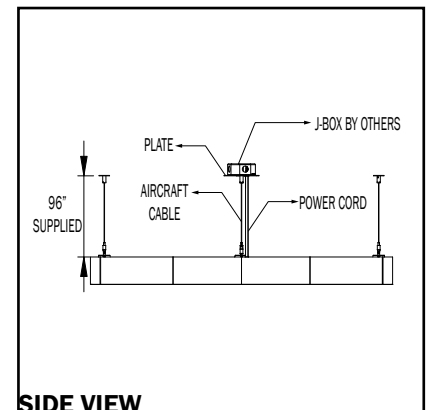
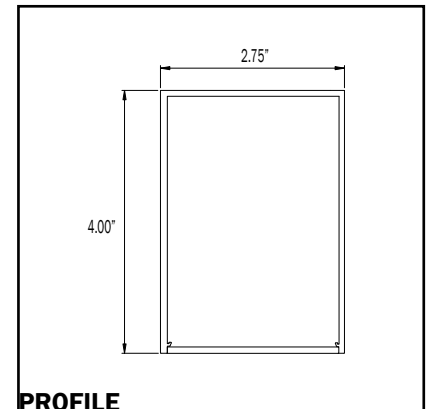
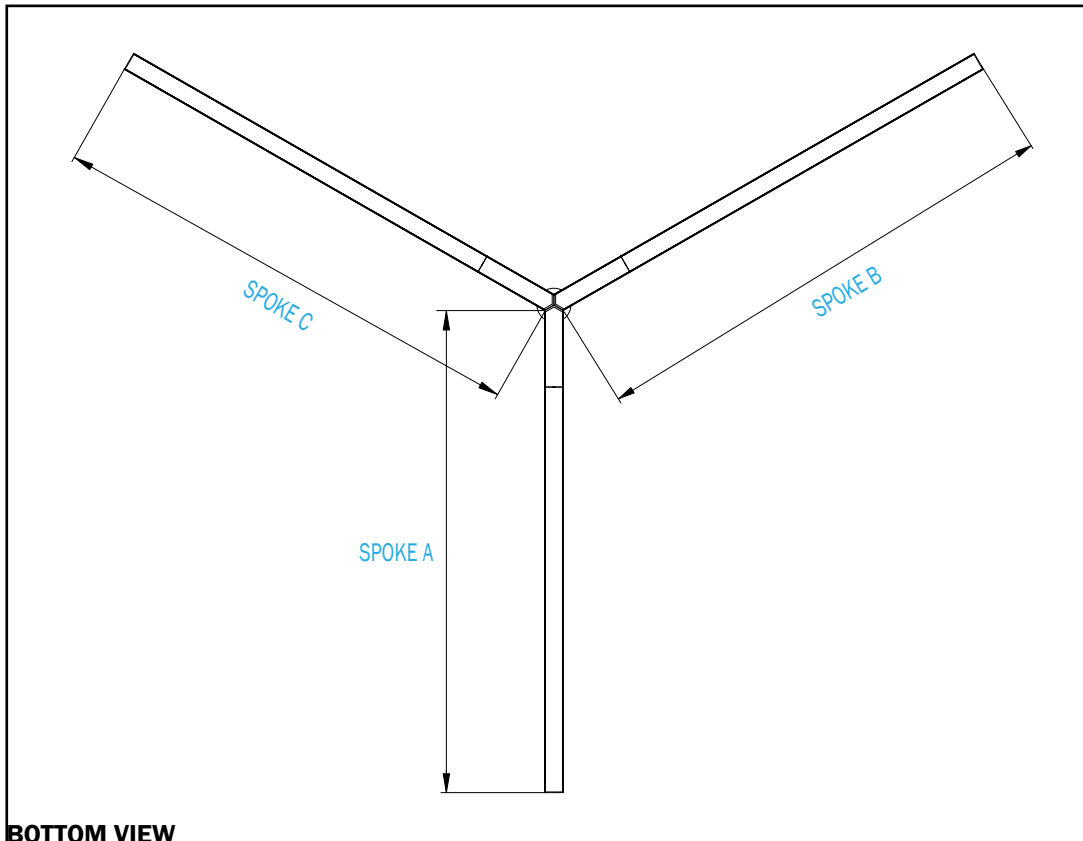
WEIGHT: 8 LBS + 16 LBS + 24 LBS = 48 LBS

## DIRECT - VALUES PER SPOKE

PN	WATTAGE	LUMENS	WEIGHT
2D	27	2758	8 LBS
4D	52	5568	16 LBS
6D	78	8381	24 LBS
8D	104	11182	32 LBS

## DIRECT/INDIRECT - VALUES PER SPOKE

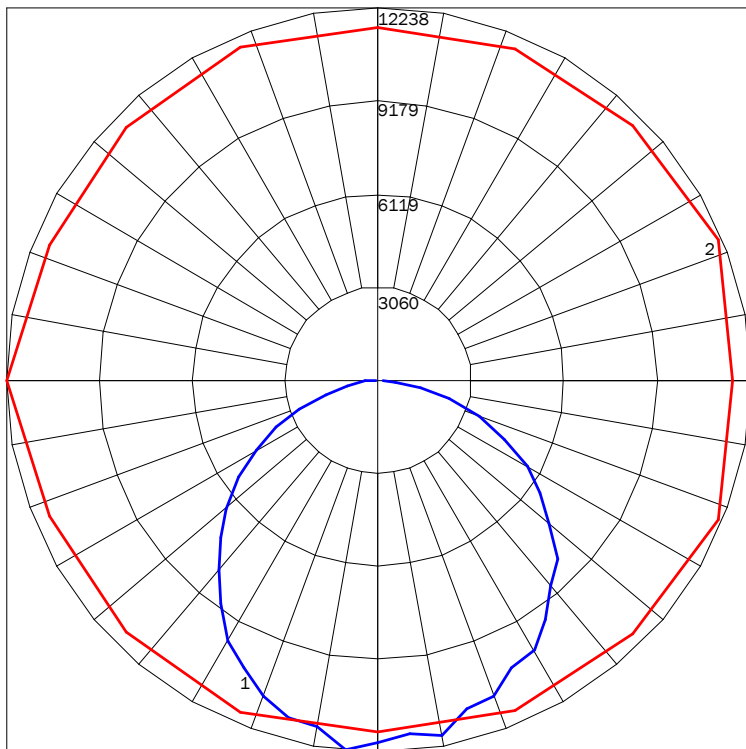
PN	WATTAGE	LUMENS	WEIGHT
2ID	53	5607	10 LBS
4ID	104	11588	20 LBS
6ID	156	17573	30 LBS
8ID	207	23519	40 LBS



## IES INDOOR REPORT

PHOTOMETRIC FILENAME : 680SO 8D 8D 8D 35K SW F05.IES

### POLAR GRAPH



Maximum Candela = 12238.23 Located At Horizontal Angle = 180, Vertical Angle = 5  
 # 1 - Vertical Plane Through Horizontal Angles (180 - 0) (Through Max. Cd.)  
 # 2 - Horizontal Cone Through Vertical Angle (5) (Through Max. Cd.)

**LUMINAIRE LUMENS**

33546

**TOTAL LUMINAIRE EFFICIENCY**

67%

**LUMINAIRE EFFECIENCY RATING**

95

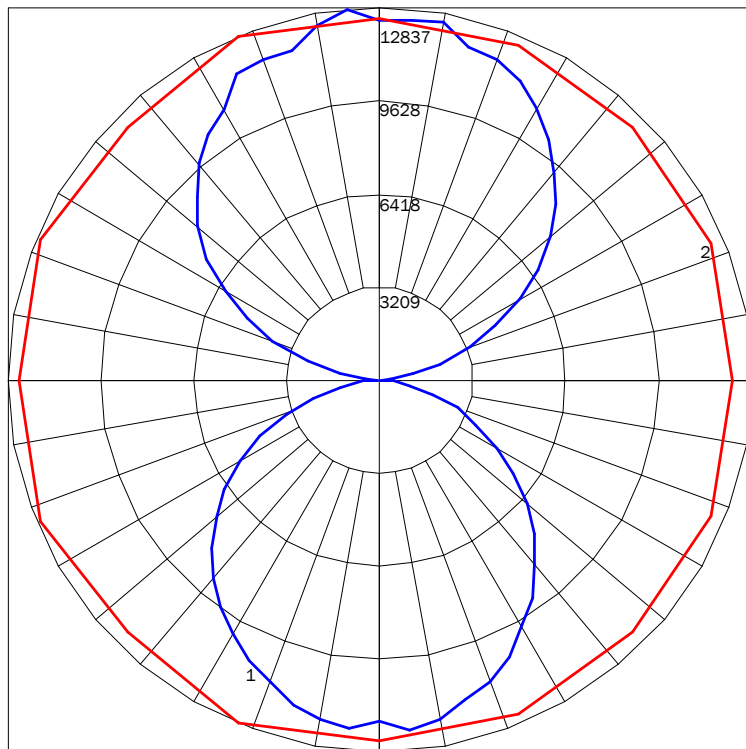
**TOTAL LUMINAIRE WATTS**

354

## IES INDOOR REPORT

PHOTOMETRIC FILENAME : 680SO 8ID 8ID 8ID 35K SW F05.IES

### POLAR GRAPH



Maximum Candela = 12836.73 Located At Horizontal Angle = 112.5, Vertical Angle = 175  
 # 1 - Vertical Plane Through Horizontal Angles (112.5 - 292.5) (Through Max. Cd.)  
 # 2 - Horizontal Cone Through Vertical Angle (175) (Through Max. Cd.)

**LUMINAIRE LUMENS**

70558

**TOTAL LUMINAIRE EFFICIENCY**

70%

**LUMINAIRE EFFECIENCY RATING**

99

**TOTAL LUMINAIRE WATTS**

714

## AVAILABLE FINISHES

---



**F04**  
MATTE  
WHITE



**F05**  
GLOSS  
WHITE



**F15**  
MATTE  
BLACK



**F16**  
GLOSS  
BLACK



**F18**  
SATIN  
ALUMINUM



**RAL**  
CUSTOM  
COLOR  
(RAL #)

DISPLAYED FINISHES DIFFER BETWEEN SCREENS AS WELL AS PRINTERS AND MAY NOT ACCURATELY DEPICT COLOR.