

Y - SOLO™ PENDANT

PROJECT: _____

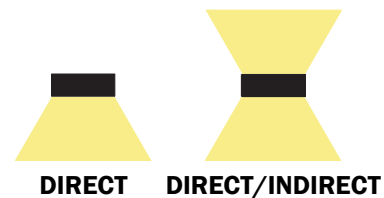
TYPE: _____

QUANTITY: _____

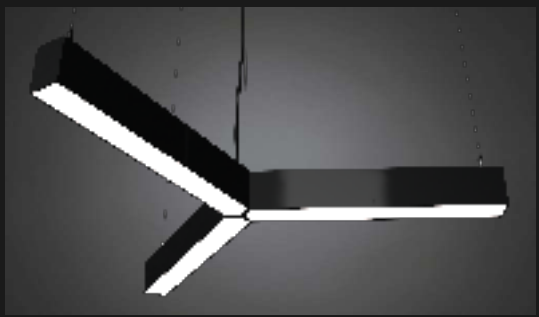


PN: 680S0

APPLICATION	<ul style="list-style-type: none">• DIRECT OR DIRECT/INDIRECT PENDANT• INDOOR RATED
DIMENSIONS	<ul style="list-style-type: none">• AVAILABLE IN 2' - 16' SIZES• CUSTOM SIZES AVAILABLE
ILLUMINATION	<ul style="list-style-type: none">• LED 90CRI• 8274 - 70558 LUMENS
ELECTRICAL	<ul style="list-style-type: none">• 120 - 277V• 6KV SURGE SUPPRESSION STANDARD
DIFFUSERS	<ul style="list-style-type: none">• HIGH EFFICIENCY ACRYLIC
MOUNTING	<ul style="list-style-type: none">• 96" BLACK OR WHITE DROP CORD WITH AIRCRAFT CABLES
CONSTRUCTION	<ul style="list-style-type: none">• ALUMINUM BODY & STAINLESS STEEL HARDWARE
FINISHES	<ul style="list-style-type: none">• AVAILABLE IN SEVERAL TMS POLYESTER POWDER COATED FINISHES• CUSTOM RAL FINISHES AVAILABLE
DIMMING	<ul style="list-style-type: none">• 0 - 10V STANDARD
WEIGHT	<ul style="list-style-type: none">• 120 LBS MAXIMUM



Y - SOLO™ PENDANT



PROJECT: _____
 TYPE: _____
 QUANTITY: _____

680S0 - _____
 1 2 3 4 5 6 7 8 9 10 11

1.	SPOKE A - DIRECT					
PN	2D	4D	6D	8D	CUS	
L (INCH)	24"	48"	72"	96"	CUSTOM SIZE (SPECIFY)	
	SPOKE A - DIRECT/INDIRECT					
	2ID	4ID	6ID	8ID	CUS	
	24"	48"	72"	96"	CUSTOM SIZE (SPECIFY)	
2.	SPOKE B - DIRECT					
PN	2D	4D	6D	8D	CUS	
L (INCH)	24"	48"	72"	96"	CUSTOM SIZE (SPECIFY)	
	SPOKE B - DIRECT/INDIRECT					
	2ID	4ID	6ID	8ID	CUS	
	24"	48"	72"	96"	CUSTOM SIZE (SPECIFY)	
3.	SPOKE C - DIRECT					
PN	2D	4D	6D	8D	CUS	
L (INCH)	24"	48"	72"	96"	CUSTOM SIZE (SPECIFY)	
	SPOKE C - DIRECT/INDIRECT					
	2ID	4ID	6ID	8ID	CUS	
	24"	48"	72"	96"	CUSTOM SIZE (SPECIFY)	
4.	30K		35K		40K	
CCT	3000		3500		4000	
5.	120		277		UNI	
VOLTAGE	120V		277V		120-277V	
6.	S			D		
CIRCUITS	SINGLE			DUAL		
7.	SW			BL		
DIFFUSER	SATIN			BLACK LENS		
8.	BC			WC		
CORD	BLACK DROP CORD			WHITE DROP CORD		
9.	F04	F05	F15	F16	F18	RAL
FINISH	MATTE WHITE	GLOSS WHITE	MATTE BLACK	GLOSS BLACK	SATIN ALUMINUM	CUSTOM (SPECIFY)
10.	DS		OS		DOS	
SENSORS	DAYLIGHT		OCCUPANCY		DAYLIGHT/OCCUPANCY	
11.	DIML					
DIMMING	LED DIMMING (0-10V)					

NOTE: SOME OPTIONS MAY NOT BE COMPATIBLE WITH OTHERS. ALL SPECIFICATIONS ARE SUBJECT TO CHANGE WITHOUT NOTICE. CONTACT TMS LIGHTING FOR UPDATED SPECIFICATIONS.

WATTAGES, LUMENS & WEIGHT PER SPOKE

EXAMPLE:

2D (SPOKE A) + 4D (SPOKE B) + 6D (SPOKE C)

WATTAGE: 27W + 52W + 78W = 157W

LUMENS: 2758 + 5568 + 8381 = 16707 LUMENS

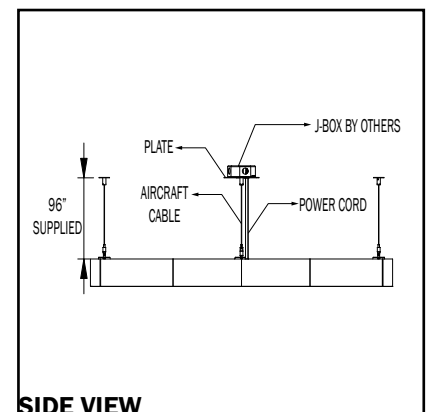
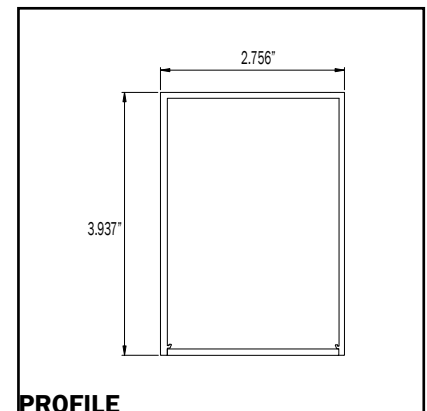
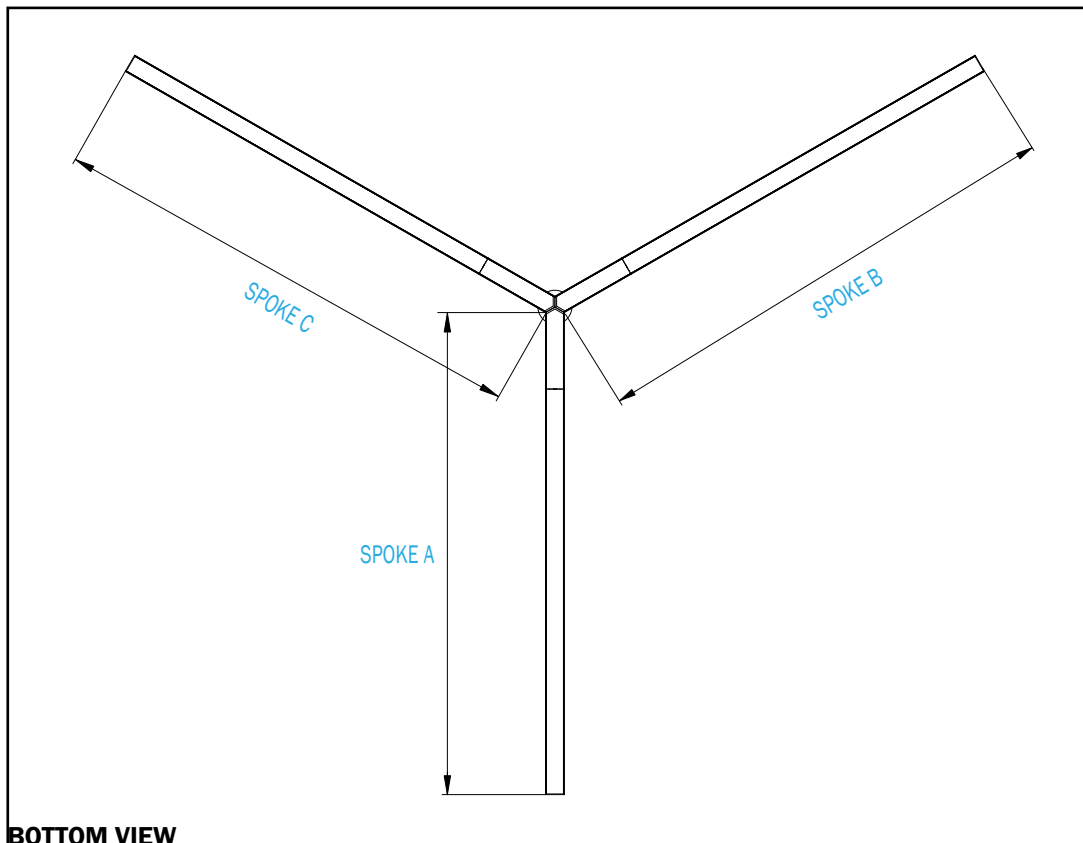
WEIGHT: 8 LBS + 16 LBS + 24 LBS = 48 LBS

DIRECT - VALUES PER SPOKE

PN	WATTAGE	LUMENS	WEIGHT
2D	27	2758	8 LBS
4D	52	5568	16 LBS
6D	78	8381	24 LBS
8D	104	11182	32 LBS

DIRECT/INDIRECT - VALUES PER SPOKE

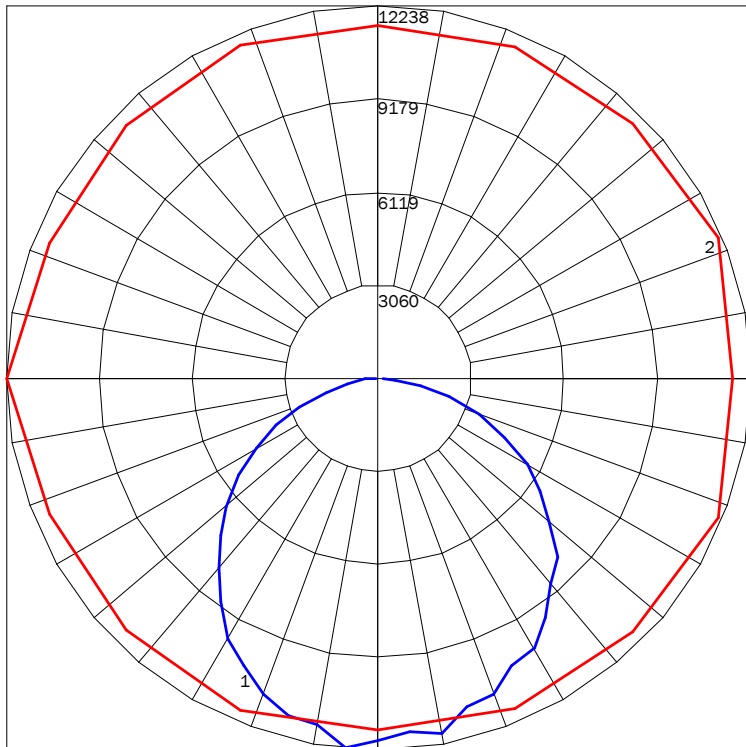
PN	WATTAGE	LUMENS	WEIGHT
2ID	53	5607	10 LBS
4ID	104	11588	20 LBS
6ID	156	17573	30 LBS
8ID	207	23519	40 LBS



IES INDOOR REPORT

PHOTOMETRIC FILENAME : 680SO 8D 8D 8D 35K SW F05.IES

POLAR GRAPH



Maximum Candela = 12238.23 Located At Horizontal Angle = 180, Vertical Angle = 5
 # 1 - Vertical Plane Through Horizontal Angles (180 - 0) (Through Max. Cd.)
 # 2 - Horizontal Cone Through Vertical Angle (5) (Through Max. Cd.)

LUMINAIRE LUMENS

33546

TOTAL LUMINAIRE EFFICIENCY

67%

LUMINAIRE EFFECIENCY RATING

95

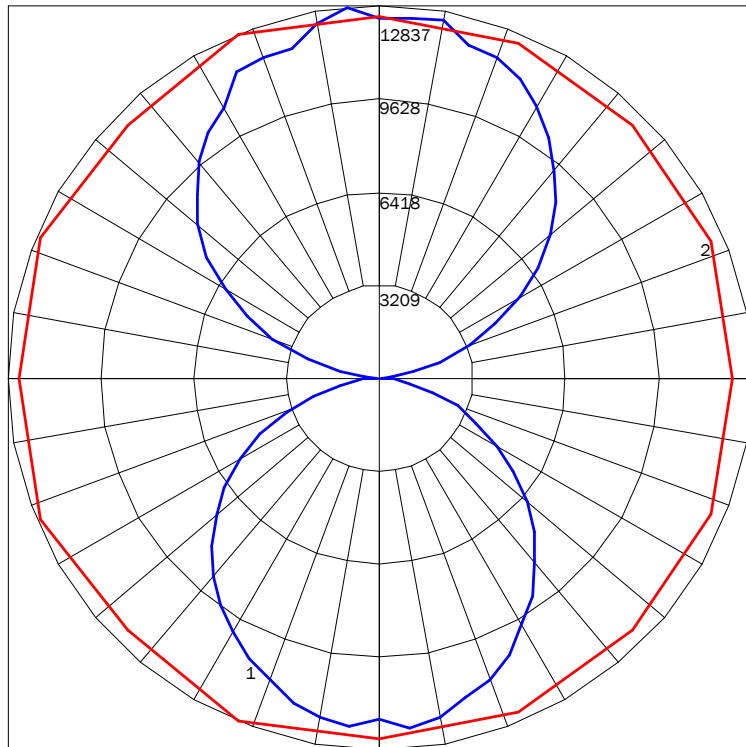
TOTAL LUMINAIRE WATTS

354

IES INDOOR REPORT

PHOTOMETRIC FILENAME : 680SO 8ID 8ID 8ID 35K SW F05.IES

POLAR GRAPH



Maximum Candela = 12836.73 Located At Horizontal Angle = 112.5, Vertical Angle = 175
 # 1 - Vertical Plane Through Horizontal Angles (112.5 - 292.5) (Through Max. Cd.)
 # 2 - Horizontal Cone Through Vertical Angle (175) (Through Max. Cd.)

LUMINAIRE LUMENS

70558

TOTAL LUMINAIRE EFFICIENCY

70%

LUMINAIRE EFFECIENCY RATING

99

TOTAL LUMINAIRE WATTS

714

AVAILABLE FINISHES



F04
MATTE
WHITE



F05
GLOSS
WHITE



F15
MATTE
BLACK



F16
GLOSS
BLACK



F18
SATIN
ALUMINUM



RAL
CUSTOM
COLOR
(RAL #)

DISPLAYED FINISHES DIFFER BETWEEN SCREENS AS WELL AS PRINTERS AND MAY NOT ACCURATELY DEPICT COLOR.