

WINSTON UP-DOWN™ WALL

PROJECT: _____

TYPE: _____

QUANTITY: _____



PN: WN700

APPLICATION	<ul style="list-style-type: none">• WALL MOUNT• INDOOR OR OUTDOOR RATED
DIMENSION	<ul style="list-style-type: none">• 13.22"L X 5"W X 36.25"H (34CM X 13CM X 92CM)
ILLUMINATION	<ul style="list-style-type: none">• INDIRECT/DIRECT• LED 90CRI AND• INCANDESCENT MEDIUM BASE SOCKET• 1,269 - 1,693 LUMENS
ELECTRICAL	<ul style="list-style-type: none">• 120 - 277V (347V CONSULT FACTORY)• 10kA SURGE SUPPRESSION STANDARD
DIFFUSERS	<ul style="list-style-type: none">• HIGH EFFICIENCY ACRYLIC
MOUNTING	<ul style="list-style-type: none">• WALL, MOUNTED TO A 4"(10CM) J-BOX
CONSTRUCTION	<ul style="list-style-type: none">• ALUMINUM W/ CLEAR LENS ACRYLIC
FINISHES	<ul style="list-style-type: none">• AVAILABLE IN SEVERAL TMS POWDER COATED FINISHES• CUSTOM RAL FINISHES AVAILABLE
DIMMING	<ul style="list-style-type: none">• 0 - 10V STANDARD DIMMING
WEIGHT	<ul style="list-style-type: none">• 8 LBS MAXIMUM



WINSTON UP-DOWN™ WALL



PROJECT: _____

TYPE: _____

QUANTITY: _____

WN700

1 2 3 4 5 6 7 8

1.	I					O				
APPLICATION	INDOOR					OUTDOOR				
2.	10LED2					15LED2				
ILLUMINATION	2 X 10W LED					2 X 15W LED				
LED (W)	20W					30W				
LUMENS	1269					1693				
3.	30K			35K			40K			
LED CCT	3000K			3500K			4000K			
4.	120					277				
VOLTAGE	120V					277V				
5.	F04	F05	F09	F10	F13	F14	F15	F16	F18	F21
FINISH	MATTE WHITE	GLOSS WHITE	PEWTER	FIRE RED	FOREST GREEN	SUNSHINE YELLOW	MATTE BLACK	GLOSS BLACK	SATIN ALUMINUM	ARCH BRONZE
	F24	F25	F26	F31	F33	RAL				
	MELTED PLATINUM	MELTED GOLD	MELTED COPPER	SILVER METALLIC	PYRITE BRONZE	CUSTOM (SPECIFY)				
6.	F04	F05	F09	F10	F13	F14	F15	F16	F18	F21
ACCENT FINISH	MATTE WHITE	GLOSS WHITE	PEWTER	FIRE RED	FOREST GREEN	SUNSHINE YELLOW	MATTE BLACK	GLOSS BLACK	SATIN ALUMINUM	ARCH BRONZE
	F24	F25	F26	F31	F33	RAL				
	MELTED PLATINUM	MELTED GOLD	MELTED COPPER	SILVER METALLIC	PYRITE BRONZE	CUSTOM (SPECIFY)				
7.	---					DIML				
DIMMING	NONE					LED DIMMING (0 - 10V, CURRENT - SINKING)				
8.	---			EMR			EMCR			
EMERGENCY ¹	NONE			REMOTE			REMOTE COLD PACK			

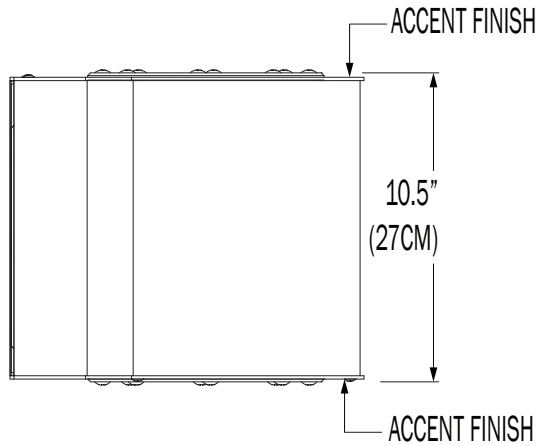
1. 10W AT 90 MINUTES

NOTE: SOME OPTIONS MAY NOT BE COMPATIBLE WITH OTHERS. ALL SPECIFICATIONS ARE SUBJECT TO CHANGE WITHOUT NOTICE. CONTACT TMS LIGHTING FOR UPDATED SPECIFICATIONS.

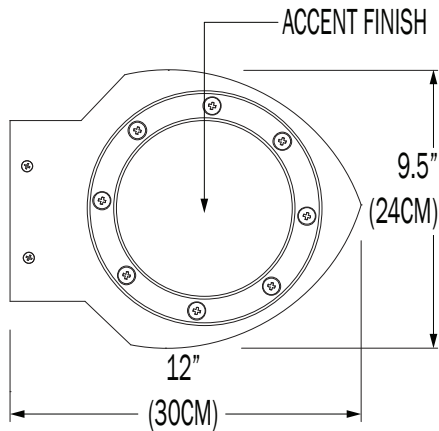
WINSTON UP-DOWN™ WALL

WN700

PROFILE



TOP/BOTTOM



CUSTOM

NOTE: THIS FIXTURE CAN BE CUSTOMIZE. DIMENSION, LAMP TYPES, ENCLOSURE, AND COLOR CAN BE MODIFIED TO SUIT YOUR LIGHTING AND ARCHITECTURAL REQUIREMENTS. CONTACT YOUR LOCAL REPRESENTATIVE FOR MORE DETAILS: <http://tmslighting.com/sales-agents.html>

TMSLIGHTING

WINSTON UP-DOWN™ WALL

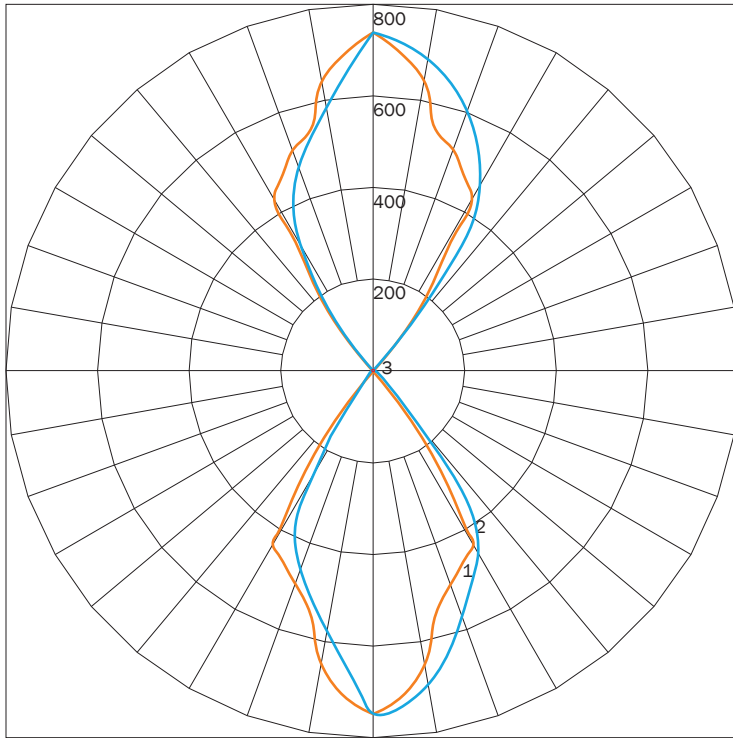
INDIRECT/DIRECT

PN	ILLUMINATION	LUMENS	WATTAGE
WN700	10LED	1269	20
	15LED	1693	30

IES INDOOR REPORT

PHOTOMETRIC FILENAME : WN700 10LED2.IES

POLAR GRAPH



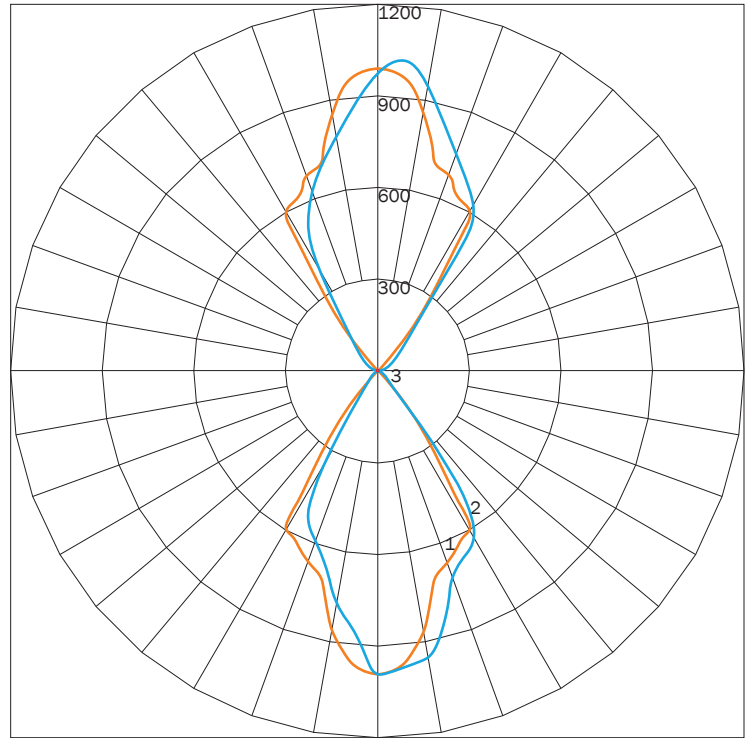
MAXIMUM CANDELA = 766.54 LOCATED AT HORIZONTAL ANGLE = 30, VERTICAL ANGLE = 5
 # 1 - VERTICAL PLANE THROUGH HORIZONTAL ANGLES (90 - 270)
 # 2 - VERTICAL PLANE THROUGH HORIZONTAL ANGLES (0 - 180)
 # 3 - HORIZONTAL CONE THROUGH VERTICAL ANGLE (90)

LUMINAIRE LUMENS 1269
TOTAL LUMINAIRE EFFICIENCY NA
LUMINAIRE EFFICACY RATING 55
TOTAL LUMINAIRE WATTS 23

IES INDOOR REPORT

PHOTOMETRIC FILENAME : WN700 15LED2.IES

POLAR GRAPH



MAXIMUM CANDELA = 1022.2 LOCATED AT HORIZONTAL ANGLE = 30, VERTICAL ANGLE = 5
 # 1 - VERTICAL PLANE THROUGH HORIZONTAL ANGLES (90 - 270)
 # 2 - VERTICAL PLANE THROUGH HORIZONTAL ANGLES (0 - 180)
 # 3 - HORIZONTAL CONE THROUGH VERTICAL ANGLE (90)

LUMINAIRE LUMENS 1693
TOTAL LUMINAIRE EFFICIENCY NA
LUMINAIRE EFFICACY RATING 48
TOTAL LUMINAIRE WATTS 35

WINSTON UP-DOWN™ WALL

AVAILABLE FINISHES



F04
MATTE
WHITE



F05
GLOSS
WHITE



F09
PEWTER



F10
FIRE
RED



F13
FOREST
GREEN



F14
SUNSHINE
YELLOW



F15
MATTE
BLACK



F16
GLOSS
BLACK



F18
SATIN
ALUMINUM



F21
ARCH
BRONZE



F24
MELTED
PLATINUM



F25
MELTED
GOLD



F26
MELTED
COPPER



F31
SILVER
METALLIC



F33
PYRITE
BRONZE



RAL
CUSTOM
COLOR
(RAL #)

NOTE: DISPLAYED FINISHES DIFFER BETWEEN SCREENS AS WELL AS PRINTERS AND MAY NOT ACCURATELY DEPICT COLOR.