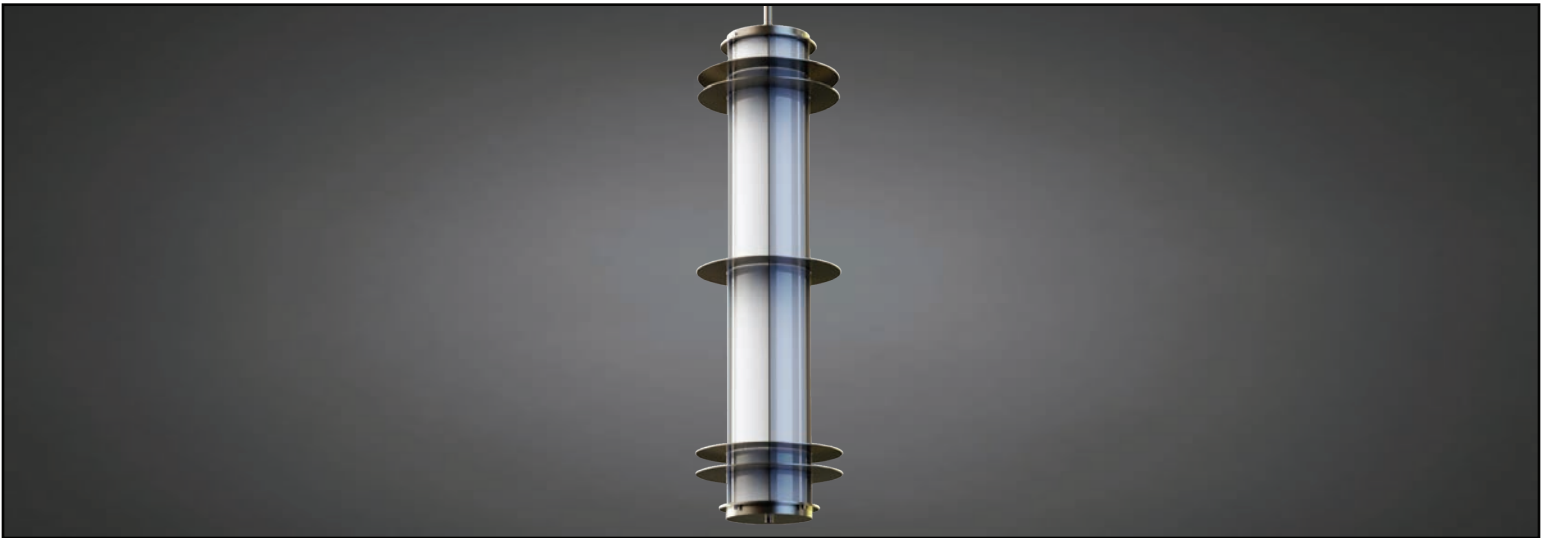


# TUCORE™ PENDANT

PROJECT: \_\_\_\_\_

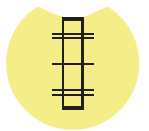
TYPE: \_\_\_\_\_

QUANTITY: \_\_\_\_\_



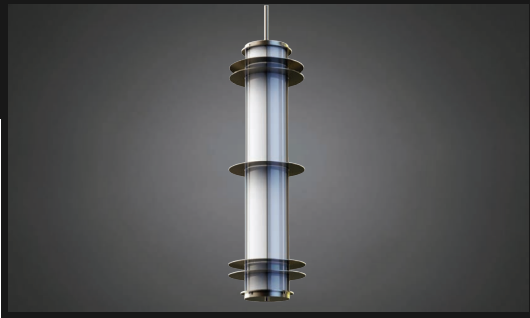
## PN: 6000TU

<b>APPLICATION</b>	<ul style="list-style-type: none"><li>• PENDANT MOUNT</li><li>• INDOOR RATED</li></ul>
<b>DIMENSION</b>	<ul style="list-style-type: none"><li>• 14" DIA X 48" H (36CM X 122CM)</li></ul>
<b>ILLUMINATION</b>	<ul style="list-style-type: none"><li>• DIFFUSE</li><li>• LED 90CRI</li><li>• 2,418 - 7,983 LUMENS</li></ul>
<b>ELECTRICAL</b>	<ul style="list-style-type: none"><li>• 120 - 277V (347V CONSULT FACTORY)</li><li>• 10KA SURGE SUPPRESSION STANDARD</li></ul>
<b>DIFFUSERS</b>	<ul style="list-style-type: none"><li>• HIGH EFFICIENCY ACRYLIC</li></ul>
<b>MOUNTING</b>	<ul style="list-style-type: none"><li>• 20" (51CM) STEM MOUNT</li></ul>
<b>CONSTRUCTION</b>	<ul style="list-style-type: none"><li>• STEEL</li></ul>
<b>FINISHES</b>	<ul style="list-style-type: none"><li>• AVAILABLE IN SEVERAL TMS POWDER COATED FINISHES</li><li>• CUSTOM RAL FINISHES AVAILABLE</li></ul>
<b>DIMMING</b>	<ul style="list-style-type: none"><li>• 0 - 10V STANDARD DIMMING</li></ul>
<b>WEIGHT</b>	<ul style="list-style-type: none"><li>• 15 LBS MAXIMUM</li></ul>



DIFFUSE

# TUCORE™ PENDANT



PROJECT: \_\_\_\_\_  
 TYPE: \_\_\_\_\_  
 QUANTITY: \_\_\_\_\_

## 6000TU

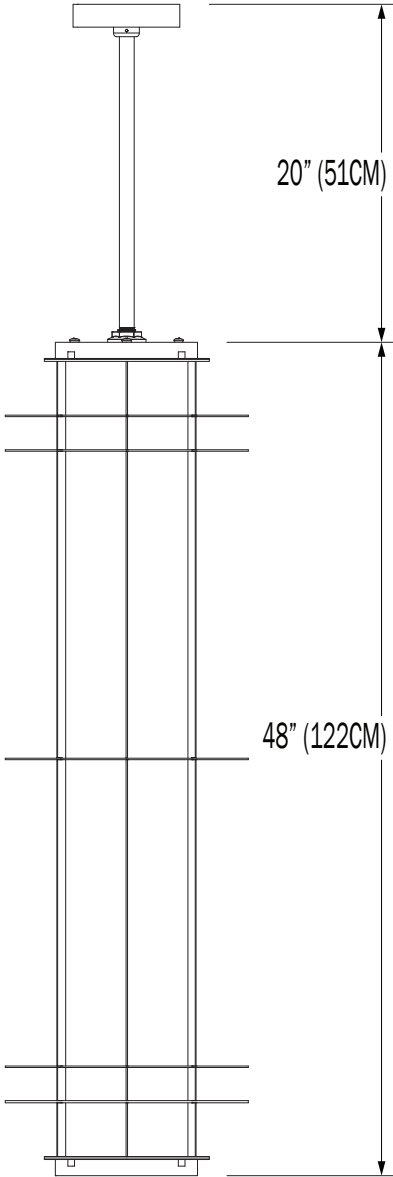
1 2 3 4 5 6 7 8

<b>1.</b>	<b>84LED</b>									
ILLUMINATION	84W LED									
<b>2.</b>	<b>30K</b>			<b>35K</b>				<b>40K</b>		
LED CCT	3000K			3500K				4000K		
<b>3.</b>										
DOWNLIGHT	---					<b>DLED</b>				
LED (W)	97					112				
LUMENS	2794					7983				
<b>4.</b>	<b>120</b>					<b>277</b>				
VOLTAGE	120V					277V				
<b>5.</b>	<b>F04</b>	<b>F05</b>	<b>F09</b>	<b>F15</b>	<b>F16</b>	<b>F18</b>	<b>F21</b>	<b>F24</b>	<b>F25</b>	<b>F26</b>
FINISH	MATTE WHITE	GLOSS WHITE	PEWTER	MATTE BLACK	GLOSS BLACK	SATIN ALUMINUM	ARCH BRONZE	MELTED PLATINUM	MELTED GOLD	MELTED COPPER
	<b>F31</b>	<b>F32</b>	<b>F33</b>	<b>RAL</b>						
	SILVER METALLIC	BRONZE METALLIC	PYRITE BRONZE	CUSTOM (SPECIFY)						
<b>6.</b>	<b>OP</b>									
DIFFUSER	OPAL - WHITE ACRYLIC									
<b>7.</b>	---					<b>DIML</b>				
DIMMING	NONE					LED DIMMING (0 - 10V, CURRENT - SINKING)				
<b>8.</b>	---			<b>EM</b>				<b>EMR</b>		
EMERGENCY <sup>1</sup>	NONE			INTEGRAL				REMOTE		

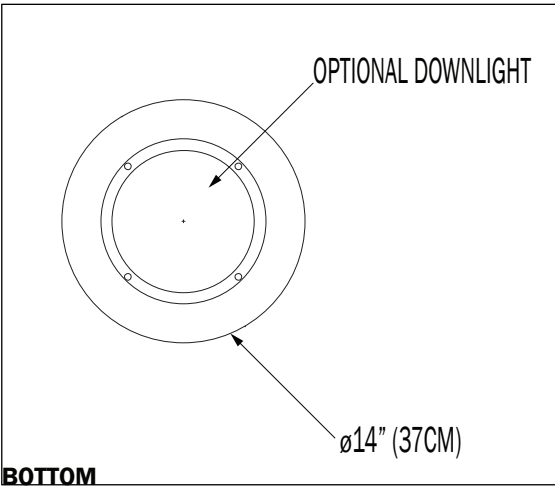
1. 10W AT 90 MINUTES

NOTE: SOME OPTIONS MAY NOT BE COMPATIBLE WITH OTHERS. ALL SPECIFICATIONS ARE SUBJECT TO CHANGE WITHOUT NOTICE. CONTACT TMS LIGHTING FOR UPDATED SPECIFICATIONS.

## 600TU



**PROFILE**



**BOTTOM**

**CUSTOM**

NOTE: THIS FIXTURE CAN BE CUSTOMIZE. DIMENSION, LAMP TYPES, ENCLOSURE, AND COLOR CAN BE MODIFIED TO SUIT YOUR LIGHTING AND ARCHITECTURAL REQUIREMENTS. CONTACT YOUR LOCAL REPRESENTATIVE FOR MORE DETAILS: <https://tmslighting.com/sales-agents.html>

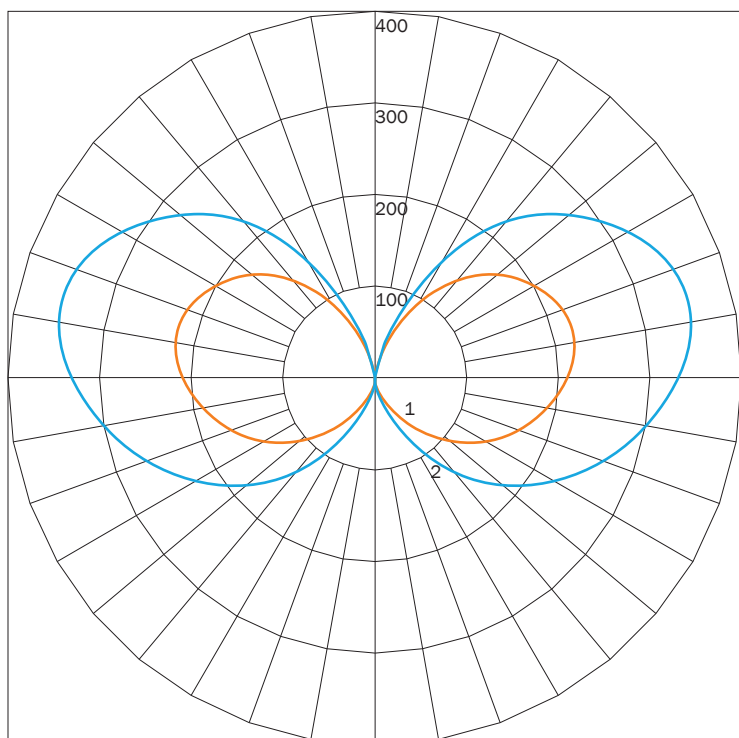
## DIFFUSE

PN	FINISH	LUMENS	WATTAGE
600TU	F32	2418	97
	F31	2794	97

### IES INDOOR REPORT

PHOTOMETRIC FILENAME : 6000TU 84LED F32 OP.IES

### POLAR GRAPH



MAXIMUM CANDELA = 357.63 LOCATED AT HORIZONTAL ANGLE = 180, VERTICAL ANGLE = 105  
 # 1 - VERTICAL PLANE THROUGH HORIZONTAL ANGLES (90 - 270)  
 # 2 - VERTICAL PLANE THROUGH HORIZONTAL ANGLES (0 - 180)

<b>LUMINAIRE LUMENS</b>	2418
<b>TOTAL LUMINAIRE EFFICIENCY</b>	NA
<b>LUMINAIRE EFFICACY RATING</b>	25
<b>TOTAL LUMINAIRE WATTS</b>	97

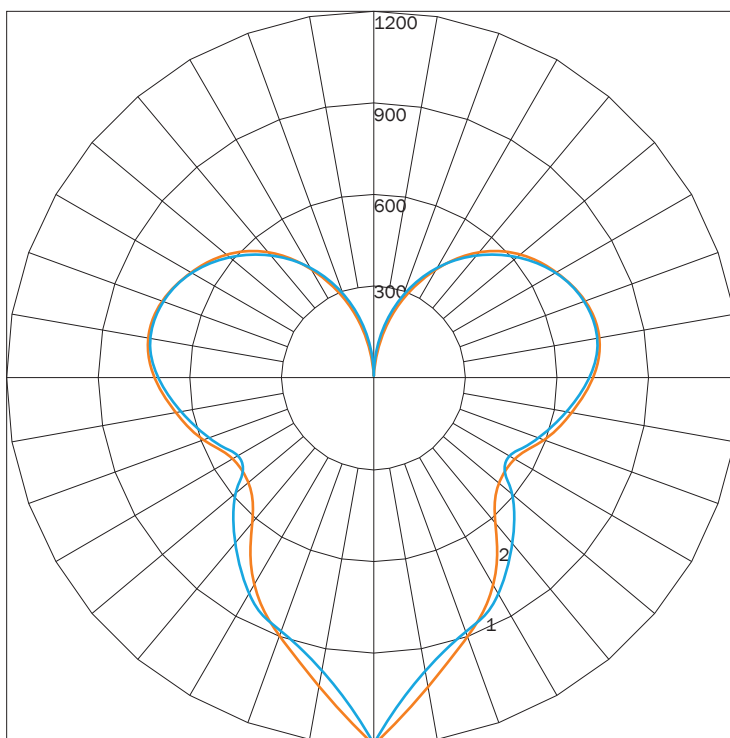
## DIRECT (W/ DLED)

PN	FINISH	LUMENS	WATTAGE
600TU	F32	7114	112
	F31	7983	112

### IES INDOOR REPORT

PHOTOMETRIC FILENAME : 6000TU 84LED DLED F31 OP.IES

### POLAR GRAPH



MAXIMUM CANDELA = 1195.7 LOCATED AT HORIZONTAL ANGLE = 0, VERTICAL ANGLE = 0  
 # 1 - VERTICAL PLANE THROUGH HORIZONTAL ANGLES (90 - 270)  
 # 2 - VERTICAL PLANE THROUGH HORIZONTAL ANGLES (0 - 180)

<b>LUMINAIRE LUMENS</b>	7983
<b>TOTAL LUMINAIRE EFFICIENCY</b>	NA
<b>LUMINAIRE EFFICACY RATING</b>	71
<b>TOTAL LUMINAIRE WATTS</b>	112

## AVAILABLE FINISHES



**F04**  
MATTE  
WHITE



**F05**  
GLOSS  
WHITE



**F09**  
PEWTER



**F15**  
MATTE  
BLACK



**F16**  
GLOSS  
BLACK



**F18**  
SATIN  
ALUMINUM



**F21**  
ARCH  
BRONZE



**F24**  
MELTED  
PLATINUM



**F25**  
MELTED  
GOLD



**F26**  
MELTED  
COPPER



**F31**  
SILVER  
METALLIC



**F32**  
METALLIC  
BRONZE



**F33**  
PYRITE  
BRONZE



**RAL**  
CUSTOM  
COLOR  
(RAL #)

NOTE: DISPLAYED FINISHES DIFFER BETWEEN SCREENS AS WELL AS PRINTERS AND MAY NOT ACCURATELY DEPICT COLOR.