

TRISHA™ PENDANT

PROJECT: _____

TYPE: _____

QUANTITY: _____



PN: TRI

APPLICATION	<ul style="list-style-type: none">• PENDANT MOUNT• INDOOR RATED
DIMENSION	<ul style="list-style-type: none">• 9", 10", 12", 15", 18", 20" (23CM, 25CM, 30CM, 38CM, 46CM, 51CM)
ILLUMINATION	<ul style="list-style-type: none">• DIRECT• LED 90CRI• 1,093 - 2,894 LUMENS
ELECTRICAL	<ul style="list-style-type: none">• 120V, 277V, AND 347V• 10KA SURGE SUPPRESSION STANDARD
DIFFUSERS	<ul style="list-style-type: none">• CLEAR OR FROSTED, ELONGATED GLASS GLOBE
MOUNTING	<ul style="list-style-type: none">• 120" (305CM) BLACK OR WHITE DROP CORD W/ AIRCRAFT CABLE (OPTIONAL)• 1" TO 60" (2.5CM TO 152CM) STEM MOUNT
CONSTRUCTION	<ul style="list-style-type: none">• ALUMINUM OR STEEL
FINISHES	<ul style="list-style-type: none">• AVAILABLE IN SEVERAL TMS SPECIALTY, AND POWDER COATED FINISHES• CUSTOM RAL FINISHES AVAILABLE
DIMMING	<ul style="list-style-type: none">• 0 - 10V STANDARD DIMMING
WEIGHT	<ul style="list-style-type: none">• 12 LBS MAXIMUM



DIRECT



TRISHA™ PENDANT

PROJECT: _____

TYPE: _____

QUANTITY: _____

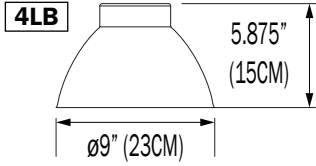
TRI - - - - - 1 - - - - - 2 - - - - - 3 - - - - - 4 - - - - - 5 - - - - - 6 - - - - - 7 - - - - - 8 - - - - - 9 - - - - - 10 - - - - - 11 - - - - - 12

1.	I												
APPLICATION	INDOOR												
2.	9	10	12	15	18	20							
DIAMETER	9"DIA (23CM)	10"DIA (25CM)	12"DIA (30CM)	15"DIA (38CM)	18"DIA (46CM)	20"DIA (51CM)							
3.	100IN	200IN	15LED	17LED	19LED	32LED							
ILLUMINATION ¹	MED BASE (MAX 100W INC)	MED BASE (MAX 100W INC)	15W LED	17W LED PAR38 E26 MED. BASE, 4000K,60°	19W LED	32W LED							
4.	CRD	C01	C06	C12	C18	C24	C36	C48	C60				
MOUNTING	120"(305CM) DROP CORD	1"(2.5CM) STEM MOUNT	6"(15CM) STEM MOUNT	12"(31CM) STEM MOUNT	18"(46CM) STEM MOUNT	24"(61CM) STEM MOUNT	36"(91CM) STEM MOUNT	48"(122CM) STEM MOUNT	60"(152CM) STEM MOUNT				
5.	30K			35K			40K						
LED CCT	3000			3500			4000						
6.	120			277			347						
VOLTAGE	120V			277V			347V						
7.	---			BC			WC						
CORD	NONE			BLACK DROP CORD			WHITE DROP CORD						
8.	ADDITIONAL AND PREMIUM FINISHES AVAILABLE. SEE FINISHES CHART			F04	F05	F15	F16	F09	F31	F18			
FINISH ²													
				F06	F07	F08	F10	F11	F13	F14	F21	F22	F24
				CLAY BROWN	ZEUS BROWN	MIDNIGHT BLUE	FIRE RED	CITRUS ORANGE	FOREST GREEN	SUNSHINE YELLOW	ARCH. BRONZE	HARVEST GOLD	MELTED PLATINUM
				F25	F26	F28	F32	F33	F38	F39	F40	F41	F45
	MELTED GOLD	MELTED COPPER	DARK CAMPAGNE	BRONZE METALLIC	PYRITE BRONZE	MEADOW GREEN	AQUA BLUE	BUBBLE PINK	ELECTRIC PURPLE	COPPER METALLIC			
9.	---		G1		G2		G9		G11				
GLOBE ³ / LENS	NONE		CLEAR, ELONGATED GLOBE		FROSTED GLOBE		CLEAR, ELONGATED, LARGE GLOBE		CLEAR, ELONGATED GLOBE WITH CAST GUARD				
10.	---				DIML								
DIMMING	NONE				LED DIMMING (0 - 10V, CURRENT-SINKING)								
11.	---			EM			EMR						
EMERGENCY ⁴	NONE			INTEGRAL			REMOTE						
12.	---			BL			ACC						
MOUNTING ⁵ ACCESSORIES	NONE			CEILING SLOPE ADAPTER FOR STEM MOUNT (30°)			AIRCRAFT CABLE FOR DROP CORDS						

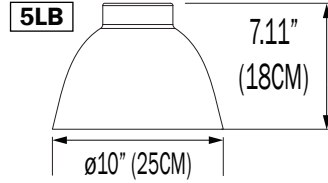
1. ILLUMINATION COMPATIBILITY ARE BASED ON THE DIAMETER AND GLOBE SIZE. SEE PAGE 4 FOR SPECIFICATION
 2. A CLEAR COAT IS APPLIED TO COPPER. PATINA WILL FORM OVER TIME. SOLID COPPER AND STAINLESS STEEL ARE AVAILABLE UP TO 15"DIA (38CM)
 3. GLOBES ARE NOT AVAILABLE WITH THE 17W LED PAR 38 LAMPS
 4. 10W AT 90 MINUTES. EMERGENCY OPTION IS ONLY AVAILABLE IN 120 - 277V SYSTEMS AS WELL WITH 17LED PAR38
 5. MAY REQUIRE TO COMPLY WITH LOCAL SEISMIC/EARTHQUAKE CODE

NOTE: SOME OPTIONS MAY NOT BE COMPATIBLE WITH OTHERS. ALL SPECIFICATIONS ARE SUBJECT TO CHANGE WITHOUT NOTICE. CONTACT TMS LIGHTING FOR UPDATED SPECIFICATIONS.

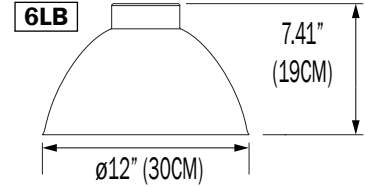
TRI - 9"



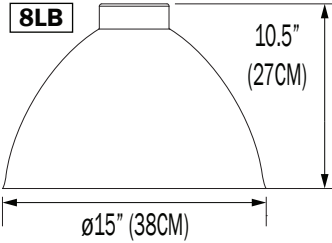
TRI - 10"



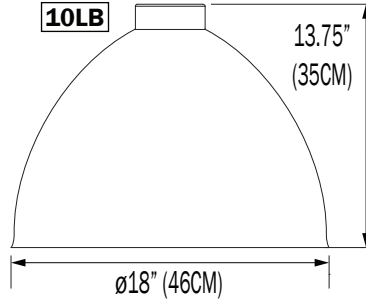
TRI - 12"



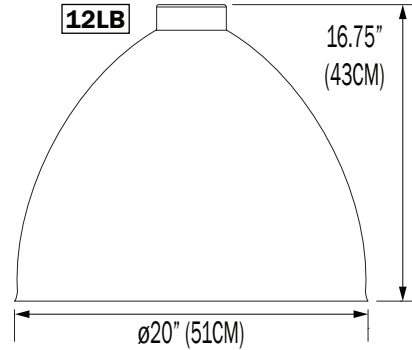
TRI - 15"



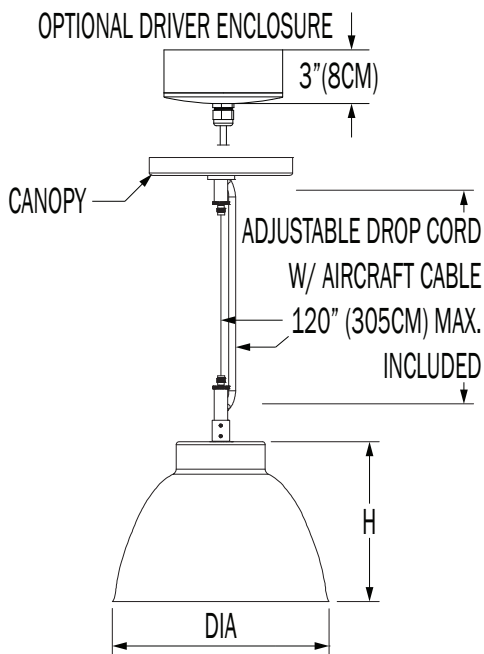
TRI - 18"



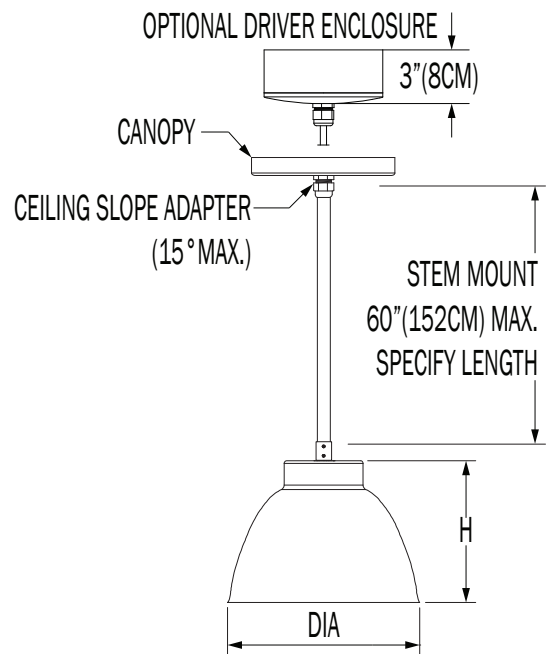
TRI - 20"



DROP CORD MOUNT



STEM MOUNT



CUSTOM

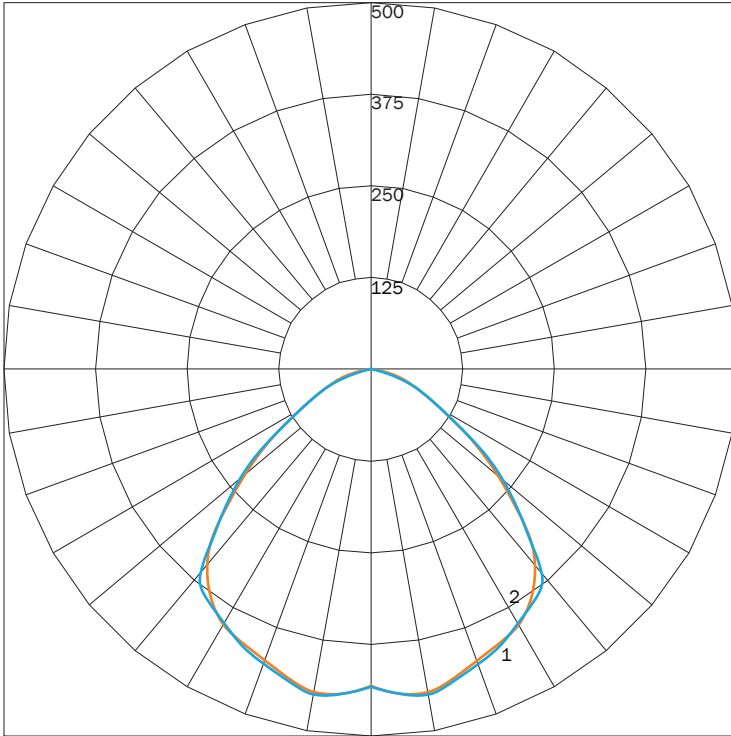
NOTE: THIS FIXTURE CAN BE CUSTOMIZE. DIMENSION, LAMP TYPES, ENCLOSURE, AND COLOR CAN BE MODIFIED TO SUIT YOUR LIGHTING AND ARCHITECTURAL REQUIREMENTS. CONTACT YOUR LOCAL REPRESENTATIVE FOR MORE DETAILS: <https://tmslighting.com/sales-agents.html>

DIRECT

PN	SIZE (DIA)	ILLUMINATION	LUMENS	WATTAGE
TRI	9	100IN	1093	100
		15LED	1100	15
	10	100IN	1166	100
		15LED	1102	15
	12	100IN	1217	100
		15LED	1124	15
		19LED	1879	19
	15	100IN	1236	100
		200IN	2733	200
		15LED	1083	15
		19LED	1921	19
	18	100IN	1146	100
		200IN	2534	200
		19LED	1856	19
		32LED	2894	32
	20	100IN	1117	100
		200IN	2471	200
		19LED	1843	19
		32LED	2842	32

IES INDOOR REPORT
PHOTOMETRIC FILENAME : TRI | 9 100IN F05.IES

POLAR GRAPH

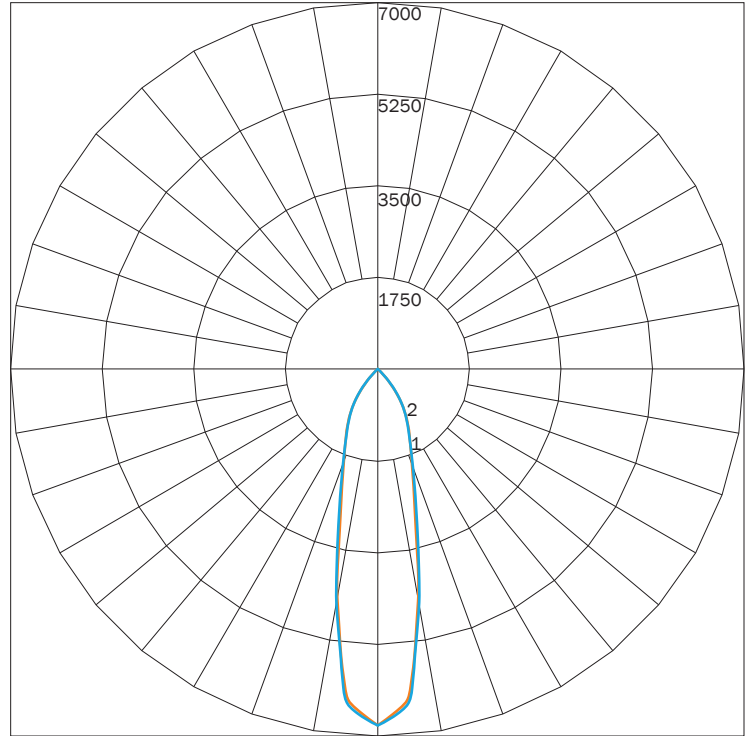


MAXIMUM CANDELA = 467.71 LOCATED AT HORIZONTAL ANGLE = 22.5, VERTICAL ANGLE = 10
 # 1 - VERTICAL PLANE THROUGH HORIZONTAL ANGLES (90 - 270)
 # 2 - VERTICAL PLANE THROUGH HORIZONTAL ANGLES (0 - 180)

LUMINAIRE LUMENS	1093
TOTAL LUMINAIRE EFFICIENCY	64%
LUMINAIRE EFFICACY RATING	11
TOTAL LUMINAIRE WATTS	100

IES INDOOR REPORT
PHOTOMETRIC FILENAME : TRI | 20 32LED F05.IES

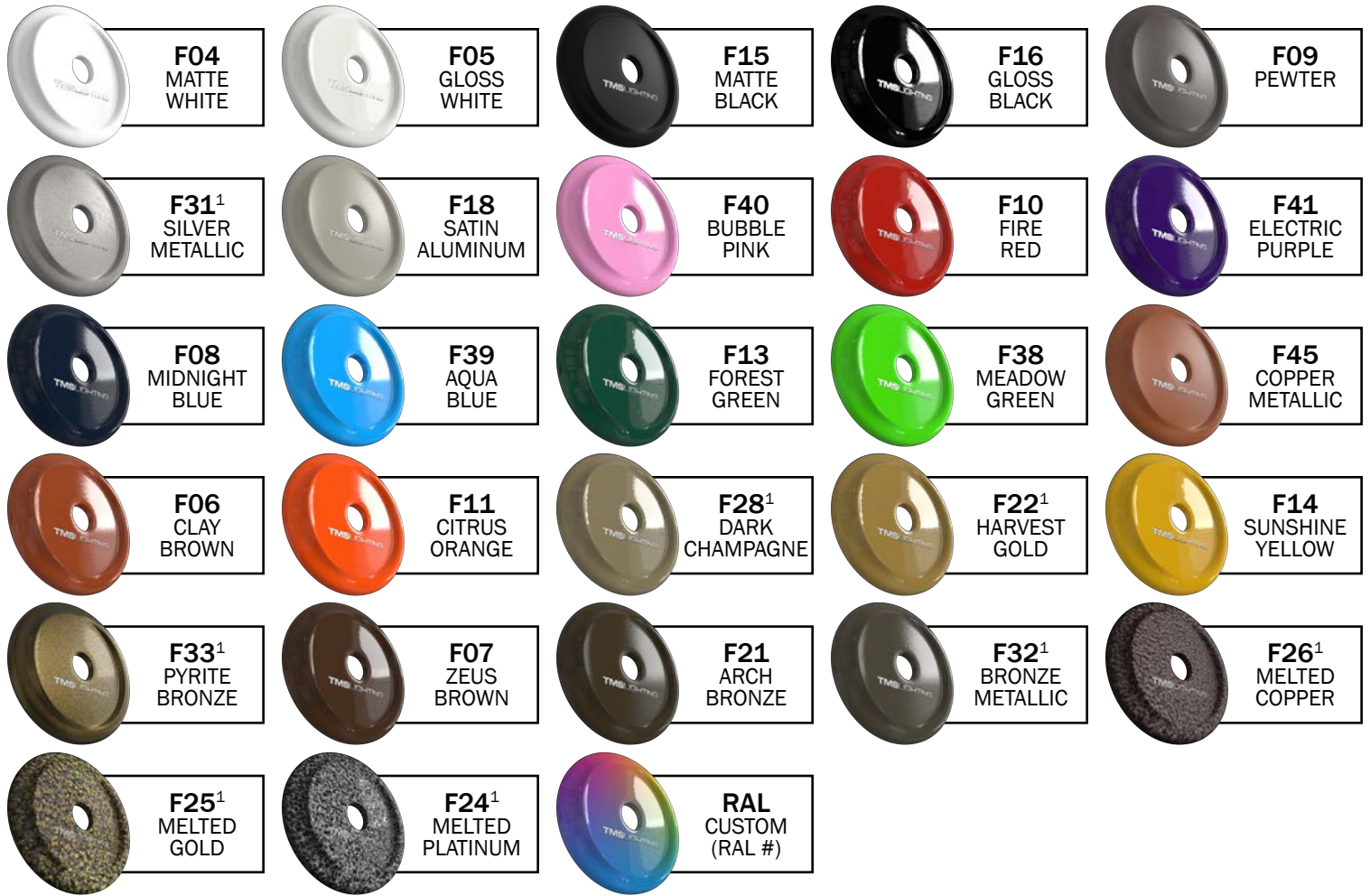
POLAR GRAPH



MAXIMUM CANDELA = 6801.23 LOCATED AT HORIZONTAL ANGLE = 0, VERTICAL ANGLE = 0
 # 1 - VERTICAL PLANE THROUGH HORIZONTAL ANGLES (90 - 270)
 # 2 - VERTICAL PLANE THROUGH HORIZONTAL ANGLES (0 - 180)

LUMINAIRE LUMENS	2842
TOTAL LUMINAIRE EFFICIENCY	NA
LUMINAIRE EFFICACY RATING	78
TOTAL LUMINAIRE WATTS	36

FINISHES



PREMIUM FINISHES



PREMIUM MATERIALS



1: FINISHES IS APPLIED TO THE INTERIOR AND EXTERIOR OF THE FIXTURE.

2: MATERIALS ARE CONSISTENT (INTERIOR & EXTERIOR). STEMS AND CANOPIES WILL BE F16 GLOSS BLACK.

NOTE: ALL FINISHES NOT MARKED WITH NOTATION (1) ARE APPLIED TO THE EXTERIOR ONLY. THE INTERIOR WILL BE F05 GLOSS WHITE.

MATTE FINISHES AVAILABLE. CONSULT FACTORY.

FINISHES ARE SUBJECT TO AVAILABILITY AND MAY NOT BE APPLICABLE TO ALL FIXTURES OR FOR QUICKSHIP.

DISPLAYED FINISHES DIFFER BETWEEN SCREENS AS WELL AS PRINTERS AND MAY NOT ACCURATELY DEPICT COLOR.