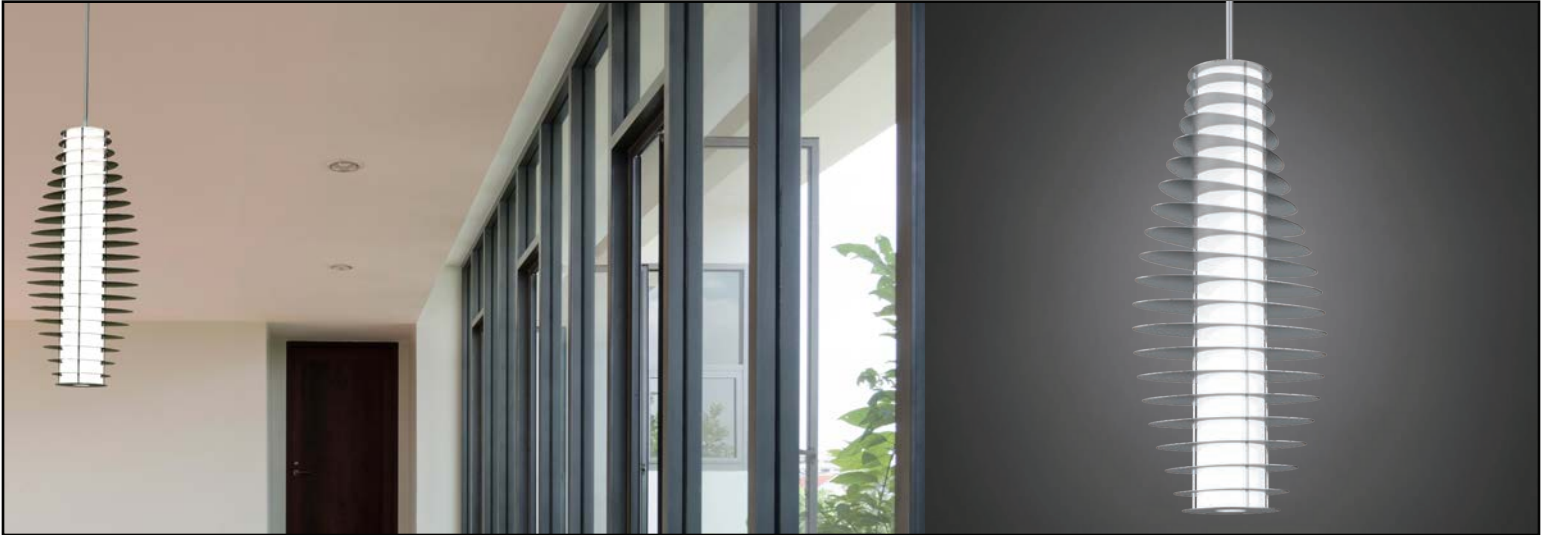


# TORRE™ PENDANT

PROJECT: \_\_\_\_\_

TYPE: \_\_\_\_\_

QUANTITY: \_\_\_\_\_



## PN: 3120T0

<b>APPLICATION</b>	<ul style="list-style-type: none"><li>• PENDANT MOUNT</li><li>• INDOOR RATED</li></ul>
<b>DIMENSION</b>	<ul style="list-style-type: none"><li>• 18" DIA X 40" H (46CM X 102CM)</li></ul>
<b>ILLUMINATION</b>	<ul style="list-style-type: none"><li>• DIFFUSE</li><li>• LED 90CRI</li><li>• 3,613 - 7,169 LUMENS</li></ul>
<b>ELECTRICAL</b>	<ul style="list-style-type: none"><li>• 120V, 277V, AND 347V</li><li>• 10KA SURGE SUPPRESSION STANDARD</li></ul>
<b>DIFFUSERS</b>	<ul style="list-style-type: none"><li>• HIGH EFFICIENCY ACRYLIC</li></ul>
<b>MOUNTING</b>	<ul style="list-style-type: none"><li>• 25.5" (65CM) STEM MOUNT</li></ul>
<b>CONSTRUCTION</b>	<ul style="list-style-type: none"><li>• ALUMINUM</li></ul>
<b>FINISHES</b>	<ul style="list-style-type: none"><li>• AVAILABLE IN SEVERAL TMS PLATED, AND POWDER COATED FINISHES</li><li>• CUSTOM RAL FINISHES AVAILABLE</li></ul>
<b>DIMMING</b>	<ul style="list-style-type: none"><li>• 0 - 10V STANDARD DIMMING</li></ul>
<b>WEIGHT</b>	<ul style="list-style-type: none"><li>• 14 LBS MAXIMUM</li></ul>



DIFFUSE

# TORRE™ PENDANT



PROJECT: \_\_\_\_\_

TYPE: \_\_\_\_\_

QUANTITY: \_\_\_\_\_

## 3120T0

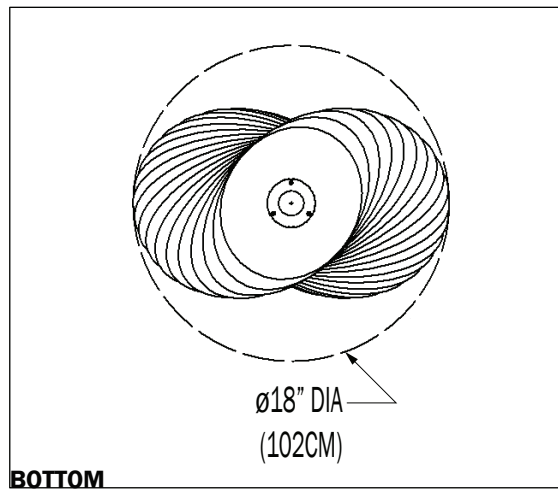
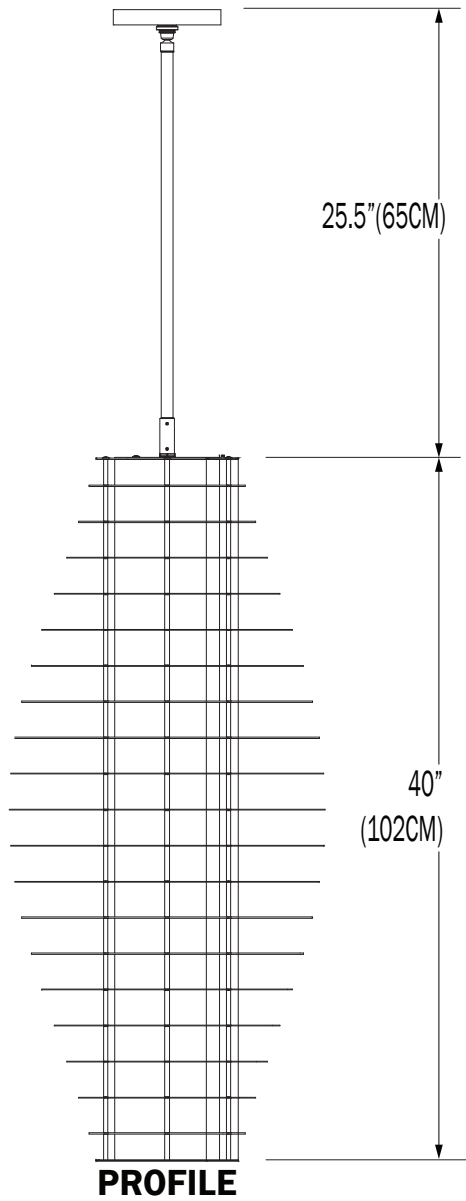
1      2      3      4      5      6      7      8

<b>1.</b>	<b>84LED</b>									
ILLUMINATION	84W LED									
<b>2.</b>										
DOWNLIGHT	---					<b>DLED</b>				
LED (W)	84W					99W				
LUMENS	6326 W/ <b>OP</b> 6552 W/ <b>SD</b>					5755 W/ <b>OP</b> 7169 W/ <b>SD</b>				
<b>3.</b>	<b>30K</b>			<b>35K</b>				<b>40K</b>		
LED CCT	3000K			3500K				4000K		
<b>4.</b>	<b>120</b>			<b>277</b>				<b>347</b>		
VOLTAGE	120V			277V				347V		
<b>5.</b>	<b>SN</b>	<b>SB</b>	<b>CH</b>	<b>BC</b>	<b>AC</b>	<b>AB</b>	<b>PB</b>	<b>F04</b>	<b>F05</b>	<b>F07</b>
FINISH	SATIN NICKEL	SATIN BRASS	CHROME	BLACK CHROME	ANTIQUÉ COPPER	ANTIQUÉ BRASS	POLISHED BRASS	MATTE WHITE	GLOSS WHITE	ZEUS BROWN
	<b>F08</b>	<b>F09</b>	<b>F10</b>	<b>F13</b>	<b>F14</b>	<b>F15</b>	<b>F16</b>	<b>F18</b>	<b>F21</b>	<b>F24</b>
	MIDNIGHT BLUE	PEWTER	FIRE RED	FOREST GREEN	SUNSHINE YELLOW	MATTE BLACK	GLOSS BLACK	SATIN ALUMINUM	ARCH BRONZE	MELTED PLATINUM
	<b>F25</b>	<b>F26</b>	<b>F31</b>	<b>F32</b>	<b>F33</b>	<b>F45</b>	<b>RAL</b>			
	MELTED GOLD	MELTED COPPER	SILVER METALLIC	BRONZE METALLIC	PYRITE BRONZE	COPPER METALLIC	CUSTOM (SPECIFY)			
<b>6.</b>	<b>OP</b>					<b>SD</b>				
DIFFUSER	OPAL - WHITE ACRYLIC					SAND - BLASTED WHITE				
<b>7.</b>	---					<b>DIML</b>				
DIMMING	NONE					LED DIMMING (1 - 10V, CURRENT - SINKING)				
<b>8.</b>	---					<b>EM</b>				
EMERGENCY <sup>1</sup>	NONE					INTEGRAL				

1. 10W AT 90 MINUTES. EMERGENCY OPTION IS ONLY AVAILABLE IN 120 - 277V SYSTEMS

NOTE: SOME OPTIONS MAY NOT BE COMPATIBLE WITH OTHERS. ALL SPECIFICATIONS ARE SUBJECT TO CHANGE WITHOUT NOTICE. CONTACT TMS LIGHTING FOR UPDATED SPECIFICATIONS.

## 3120T0



### CUSTOM

NOTE: THIS FIXTURE CAN BE CUSTOMIZE. DIMENSION, LAMP TYPES, ENCLOSURE, AND COLOR CAN BE MODIFIED TO SUIT YOUR LIGHTING AND ARCHITECTURAL REQUIREMENTS. CONTACT YOUR LOCAL REPRESENTATIVE FOR MORE DETAILS: <https://tmslighting.com/sales-agents.html>

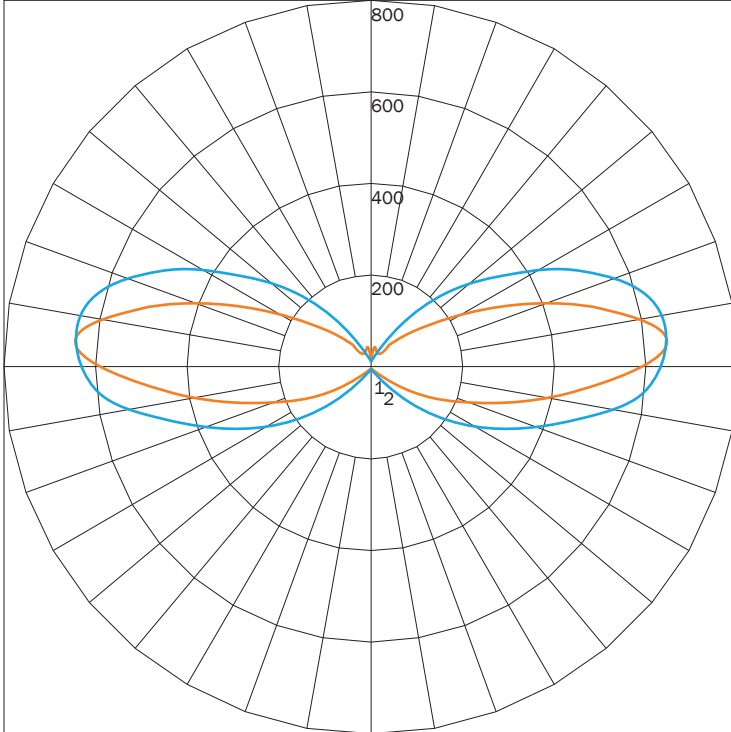
## DIFFUSE

PN	DIFFUSER	FINISH	LUMENS	WATTAGE
3120TO	OP	F32	3613	84
		F05	6325	84
	SD	F32	3858	84
		F05	6552	84

### IES INDOOR REPORT

PHOTOMETRIC FILENAME : 3120TO 84LED F32 OP.IES

### POLAR GRAPH



MAXIMUM CANDELA = 678.44 LOCATED AT HORIZONTAL ANGLE = 30, VERTICAL ANGLE = 95  
 # 1 - VERTICAL PLANE THROUGH HORIZONTAL ANGLES (90 - 270)  
 # 2 - VERTICAL PLANE THROUGH HORIZONTAL ANGLES (0 - 180)

<b>LUMINAIRE LUMENS</b>	3613
<b>TOTAL LUMINAIRE EFFICIENCY</b>	NA
<b>LUMINAIRE EFFICACY RATING</b>	37
<b>TOTAL LUMINAIRE WATTS</b>	97

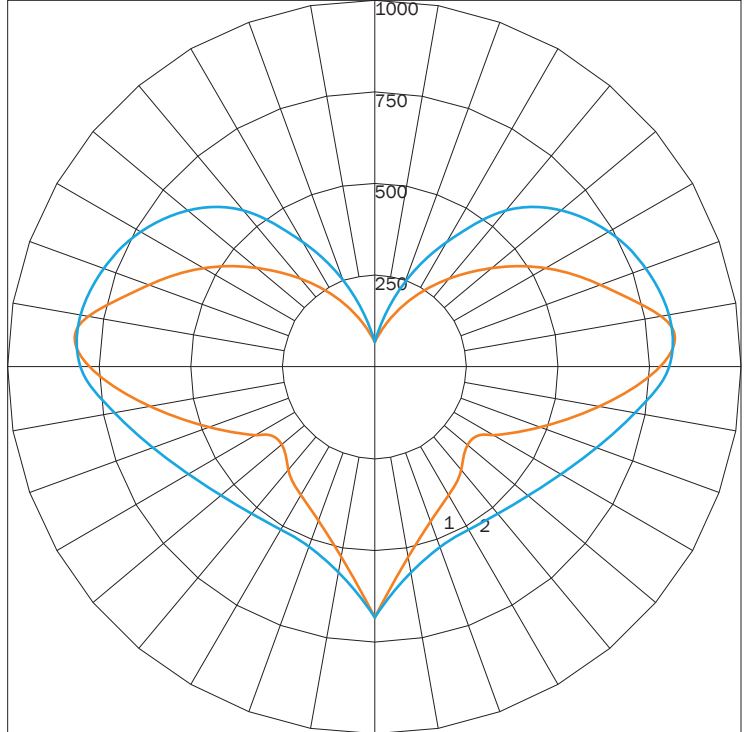
## DIRECT (W/ DLED)

PN	DIFFUSER	FINISH	LUMENS	WATTAGE
3120TO	OP	F32	4244	99
		F05	5755	99
	SD	F32	4485	99
		F05	7169	99

### IES INDOOR REPORT

PHOTOMETRIC FILENAME : 3120TO 84LED DLED F05 SD.IES

### POLAR GRAPH



MAXIMUM CANDELA = 860.71 LOCATED AT HORIZONTAL ANGLE = 30, VERTICAL ANGLE = 95  
 # 1 - VERTICAL PLANE THROUGH HORIZONTAL ANGLES (90 - 270)  
 # 2 - VERTICAL PLANE THROUGH HORIZONTAL ANGLES (0 - 180)

<b>LUMINAIRE LUMENS</b>	7169
<b>TOTAL LUMINAIRE EFFICIENCY</b>	NA
<b>LUMINAIRE EFFICACY RATING</b>	63
<b>TOTAL LUMINAIRE WATTS</b>	114

## AVAILABLE FINISHES



**SN**  
SATIN  
NICKEL



**SB**  
SATIN  
BRASS



**CH**  
CHROME



**BC**  
BLACK  
CHROME



**AC**  
ANTIQUE  
COPPER



**AB**  
ANTIQUE  
BRASS



**PB**  
POLISHED  
BRASS



**F04**  
MATTE  
WHITE



**F05**  
GLOSS  
WHITE



**F07**  
ZEUS  
BROWN



**F08**  
MIDNIGHT  
BLUE



**F09**  
PEWTER



**F10**  
FIRE  
RED



**F13**  
FOREST  
GREEN



**F14**  
SUNSHINE  
YELLOW



**F15**  
MATTE  
BLACK



**F16**  
GLOSS  
BLACK



**F18**  
SATIN  
ALUMINUM



**F21**  
ARCH  
BRONZE



**F24**  
MELTED  
PLATINUM



**F25**  
MELTED  
GOLD



**F26**  
MELTED  
COPPER



**F31**  
SILVER  
METALLIC



**F32**  
METALLIC  
BRONZE



**F33**  
PYRITE  
BRONZE



**F45**  
COPPER  
METALLIC



**RAL**  
CUSTOM  
COLOR  
(RAL #)

NOTE: DISPLAYED FINISHES DIFFER BETWEEN SCREENS AS WELL AS PRINTERS AND MAY NOT ACCURATELY DEPICT COLOR.