

TEUER™ PENDANT

PROJECT: _____

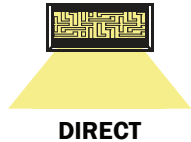
TYPE: _____

QUANTITY: _____



PN: 810TE

APPLICATION	<ul style="list-style-type: none"> • PENDANT MOUNT • INDOOR OR OUTDOOR RATED
DIMENSION	<ul style="list-style-type: none"> • 60”D X 18”H (154CM X 46CM)
ILLUMINATION	<ul style="list-style-type: none"> • DIRECT • LED 90CRI • 8,090 - 11,815 LUMENS
ELECTRICAL	<ul style="list-style-type: none"> • 120V, 277V AND 347V • 10kA SURGE SUPPRESSION STANDARD
DIFFUSERS	<ul style="list-style-type: none"> • HIGH EFFICIENCY ACRYLIC
MOUNTING	<ul style="list-style-type: none"> • 96” (244CM) BLACK OR WHITE DROP CORD W/ AIRCRAFT CABLE
CONSTRUCTION	<ul style="list-style-type: none"> • ALUMINUM
FINISHES	<ul style="list-style-type: none"> • AVAILABLE IN SEVERAL TMS PLATED, AND POWDER COATED FINISHES • CUSTOM RAL FINISHES AVAILABLE
DIMMING	<ul style="list-style-type: none"> • 0 - 10V STANDARD DIMMING (1%)
WEIGHT	<ul style="list-style-type: none"> • 100 LBS MAXIMUM



DIRECT

TEUER™ PENDANT



PROJECT: _____
 TYPE: _____
 QUANTITY: _____

810TE

1 2 3 4 5 6 7 8

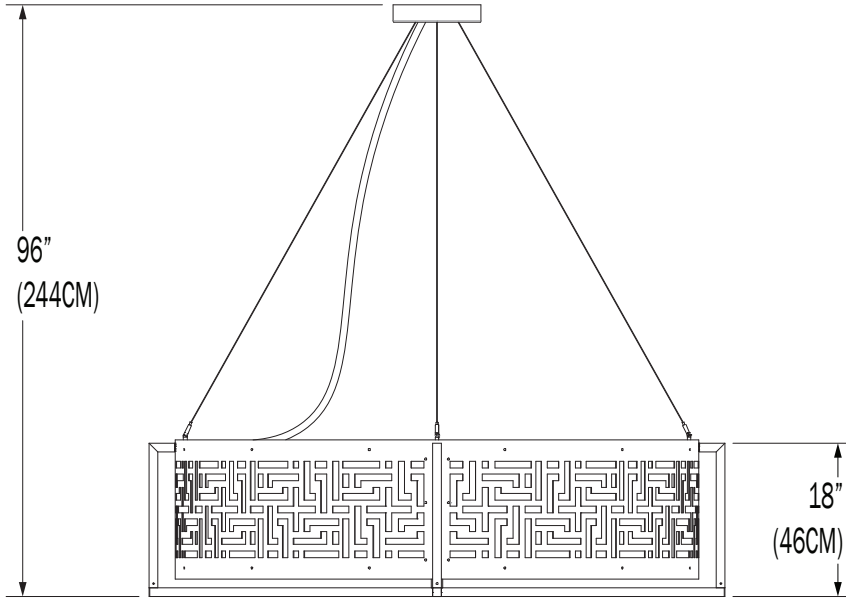
1.	I					O				
APPLICATION	INDOOR					OUTDOOR				
2.	ILLUMINATION									
	162LED									
LED (W)	162W LED									
DIFFUSER	OP									
LUMENS	11815									
3.	BC					WC				
CORD	BLACK DROP CORD					WHITE DROP CORD				
4.	30K			35K			40K			
LED CCT	3000			3500			4000			
5.	120					277				
VOLTAGE	120V					277V				
6.	SN	CH	BC	AC	AB	SB	PB	BR	AN	F04
FINISH	SATIN NICKEL	CHROME	BLACK CHROME	ANTIQUE COPPER	ANTIQUE BRASS	SATIN BRASS	POLISHED COPPER	BRUSHED ALUMINUM	ANODIZED	MATTE WHITE
	F05	F07	F08	F09	F10	F13	F14	F15	F16	F18
	GLOSS WHITE	ZEUS BROWN	MIDNIGHT BLUE	PEWTER	FIRE RED	FOREST GREEN	SUNSHINE YELLOW	MATTE BLACK	GLOSS BLACK	SATIN ALUMINUM
	F21	F24	F25	F26	F31	F32	F33	F45	RAL	
ARCH BRONZE	MELTED PLATINUM	MELTED GOLD	MELTED COPPER	SILVER METALLIC	BRONZE METALLIC	PYRITE BRONZE	COPPER METALLIC	CUSTOM (SPECITY)		
7.	OP					SD				
DIFFUSER	OPAL - WHITE ACRYLIC					SAND - BLASTED WHITE				
8.	---					DIML				
DIMMING ¹	NONE					LED DIMMING (0 - 10V, CURRENT - SINKING)				

1. NOT AVAILABLE FOR OUTDOOR CF APPLICATIONS

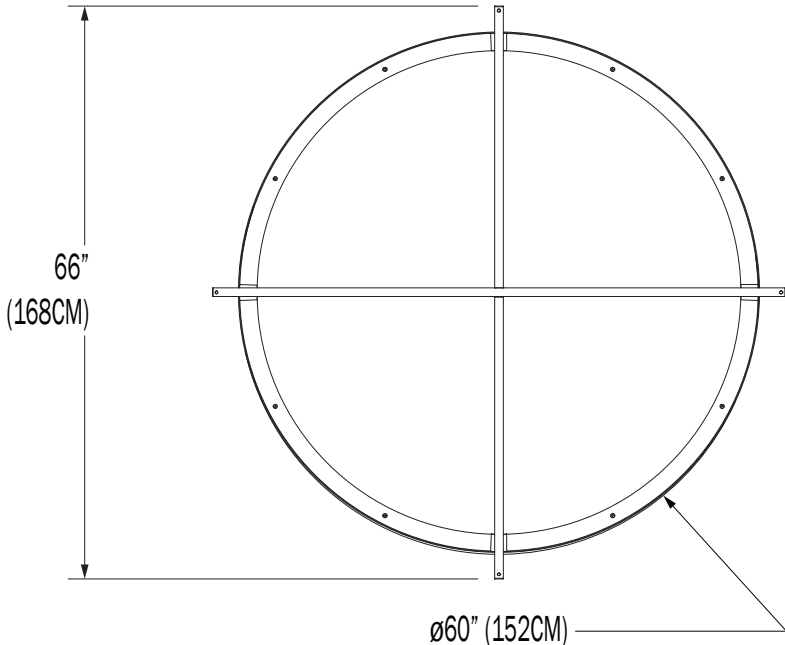
NOTE: SOME OPTIONS MAY NOT BE COMPATIBLE WITH OTHERS. ALL SPECIFICATIONS ARE SUBJECT TO CHANGE WITHOUT NOTICE. CONTACT TMS LIGHTING FOR UPDATED SPECIFICATIONS.

810TE

PROFILE



BOTTOM



CUSTOM

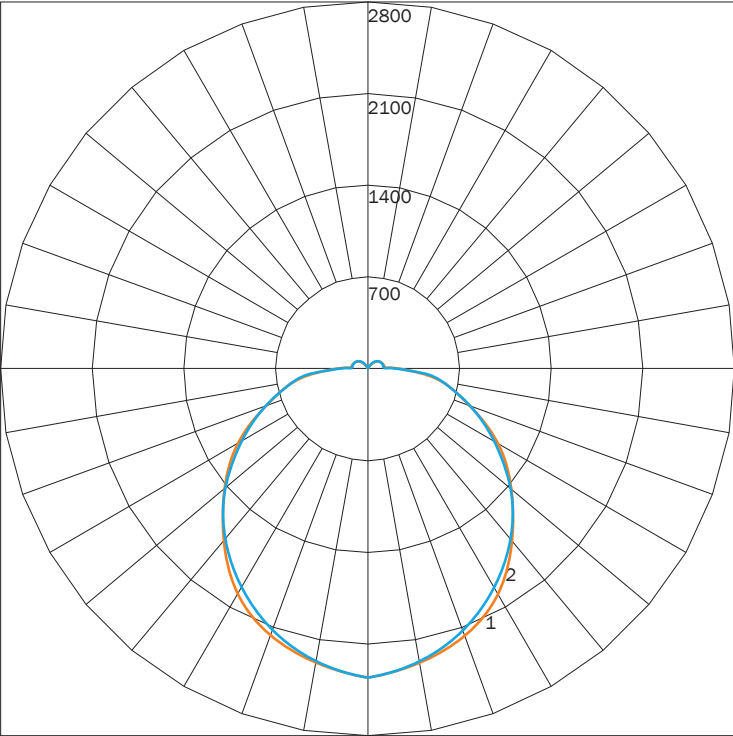
NOTE: THIS FIXTURE CAN BE CUSTOMIZE. DIMENSION, LAMP TYPES, ENCLOSURE, AND COLOR CAN BE MODIFIED TO SUIT YOUR LIGHTING AND ARCHITECTURAL REQUIREMENTS. CONTACT YOUR LOCAL REPRESENTATIVE FOR MORE DETAILS: <https://tmslighting.com/sales-agents.html>

DIRECT

PN	FINISH	DIFFUSER	LUMENS	WATTAGE
810TE	F32	OP	8090	162
	F05		11815	162

IES INDOOR REPORT
PHOTOMETRIC FILENAME : TE811 162LED F32 OP.IES

POLAR GRAPH

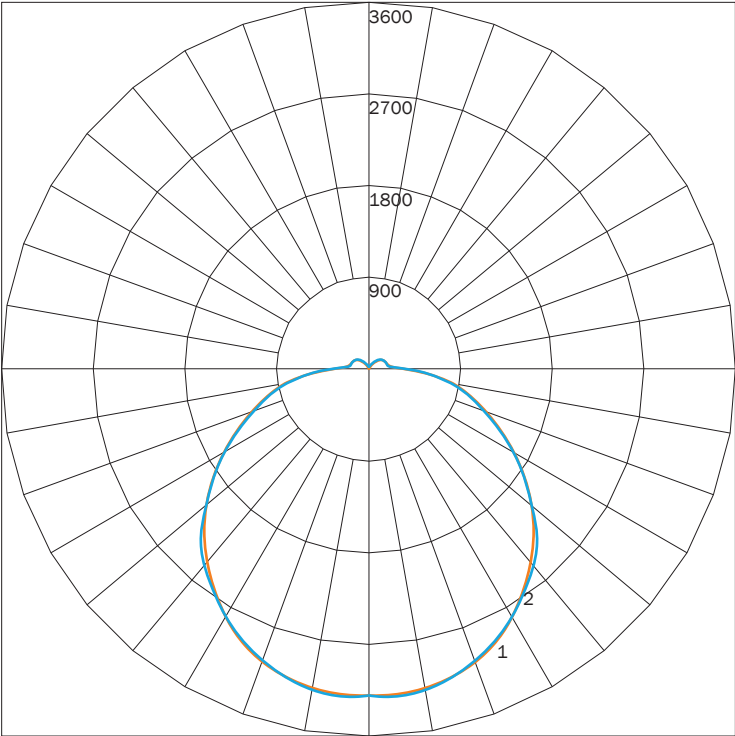


MAXIMUM CANDELA = 2455.13 LOCATED AT HORIZONTAL ANGLE = 0, VERTICAL ANGLE = 5
 # 1 - VERTICAL PLANE THROUGH HORIZONTAL ANGLES (09 - 270)
 # 2 - VERTICAL PLANE THROUGH HORIZONTAL ANGLES (0 - 180)

LUMINAIRE LUMENS 8090
TOTAL LUMINAIRE EFFICIENCY NA
LUMINAIRE EFFICACY RATING 43
TOTAL LUMINAIRE WATTS 186

IES INDOOR REPORT
PHOTOMETRIC FILENAME : TE811 162LED F05 OP.IES

POLAR GRAPH



MAXIMUM CANDELA = 3316.56 LOCATED AT HORIZONTAL ANGLE = 75, VERTICAL ANGLE = 5
 # 1 - VERTICAL PLANE THROUGH HORIZONTAL ANGLES (90 - 270)
 # 2 - VERTICAL PLANE THROUGH HORIZONTAL ANGLES (0 - 180)

LUMINAIRE LUMENS 11815
TOTAL LUMINAIRE EFFICIENCY NA
LUMINAIRE EFFICACY RATING 63
TOTAL LUMINAIRE WATTS 186

AVAILABLE FINISHES



SN
SATIN
NICKEL



CH
CHROME



BC
BLACK
CHROME



AC
ANTIQUE
COPPER



AB
ANTIQUE
BRASS



SB
SATIN
BRASS



PB
POLISHED
BRASS



BR
BRUSHED
ALUMINUM



AN
ANODIZED



F04
MATTE
WHITE



F05
GLOSS
WHITE



F07
ZEUS
BROWN



F08
MIDNIGHT
BLUE



F09
PEWTER



F10
FIRE
RED



F13
FOREST
GREEN



F14
SUNSHINE
YELLOW



F15
MATTE
BLACK



F16
GLOSS
BLACK



F18
SATIN
ALUMINUM



F21
ARCH
BRONZE



F24
MELTED
PLATINUM



F25
MELTED
GOLD



F26
MELTED
COPPER



F31
SILVER
METALLIC



F32
METALLIC
BRONZE



F33
PYRITE
BRONZE



F45
COPPER
METALLIC



RAL
CUSTOM
COLOR
(RAL #)

NOTE: DISPLAYED FINISHES DIFFER BETWEEN SCREENS AS WELL AS PRINTERS AND MAY NOT ACCURATELY DEPICT COLOR.