

PROJECT: \_\_\_\_\_

TYPE: \_\_\_\_\_

QUANTITY: \_\_\_\_\_



## PN: 351TA

<b>APPLICATION</b>	<ul style="list-style-type: none"> <li>• PENDANT MOUNT</li> <li>• INDOOR RATED</li> </ul>
<b>DIMENSION</b>	<ul style="list-style-type: none"> <li>• 18", AND 24" (46CM, AND 61CM)</li> </ul>
<b>ILLUMINATION</b>	<ul style="list-style-type: none"> <li>• DIRECT</li> <li>• LED 90CRI</li> <li>• 2,025 - 2,622 LUMENS</li> </ul>
<b>ELECTRICAL</b>	<ul style="list-style-type: none"> <li>• 120V, 277V AND UNI (120 - 277V)</li> <li>• 10kA SURGE SUPPRESSION STANDARD</li> </ul>
<b>DIFFUSERS</b>	<ul style="list-style-type: none"> <li>• HIGH EFFICIENCY ACRYLIC</li> </ul>
<b>MOUNTING</b>	<ul style="list-style-type: none"> <li>• 96" (244CM) BLACK OR WHITE DROP CORD W/ AIRCRAFT CABLE</li> </ul>
<b>CONSTRUCTION</b>	<ul style="list-style-type: none"> <li>• ALUMINUM</li> </ul>
<b>FINISHES</b>	<ul style="list-style-type: none"> <li>• AVAILABLE IN SEVERAL TMS POWDER COATED FINISHES</li> <li>• CUSTOM RAL FINISHES AVAILABLE</li> </ul>
<b>DIMMING</b>	<ul style="list-style-type: none"> <li>• 0 - 10V STANDARD DIMMING</li> </ul>
<b>WEIGHT</b>	<ul style="list-style-type: none"> <li>• 4.5 LBS TO 7.65 LBS MAXIMUM</li> </ul>



# TAZA™ PENDANT



PROJECT: \_\_\_\_\_  
 TYPE: \_\_\_\_\_  
 QUANTITY: \_\_\_\_\_

## 351TA

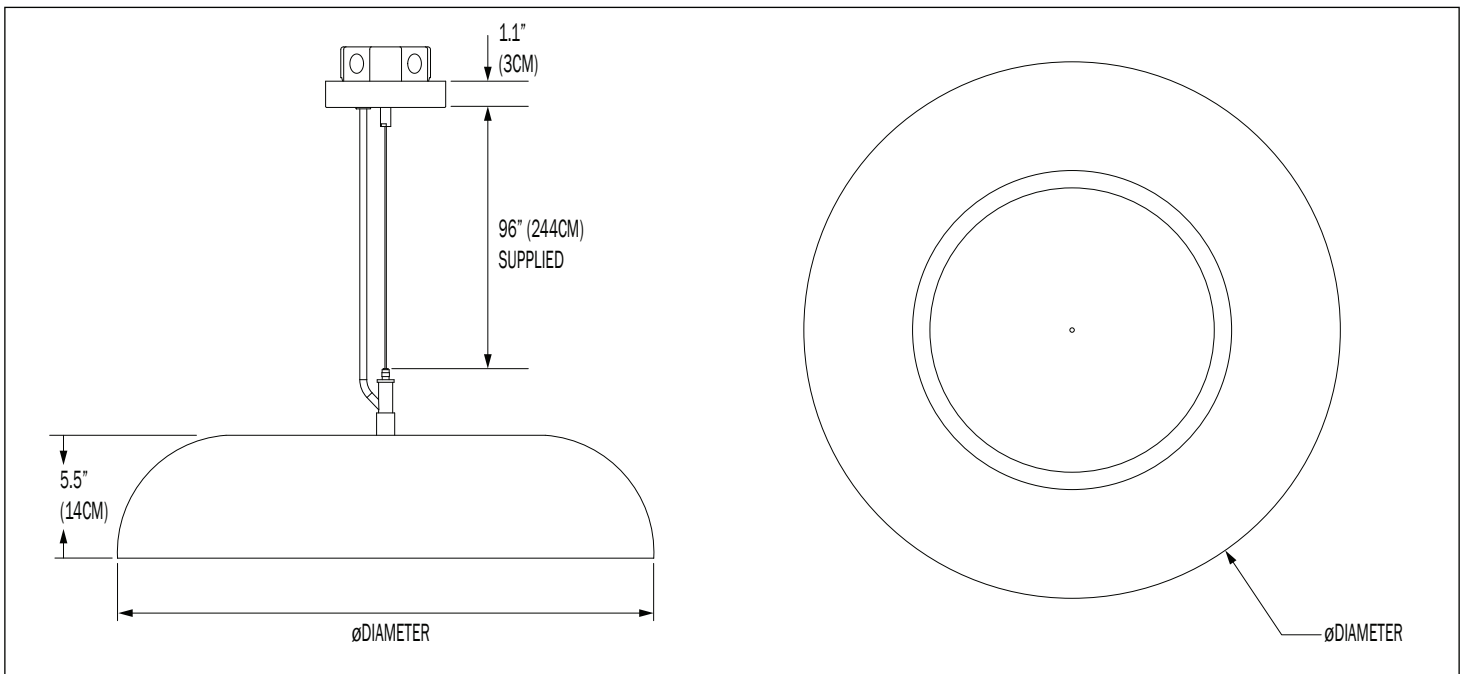
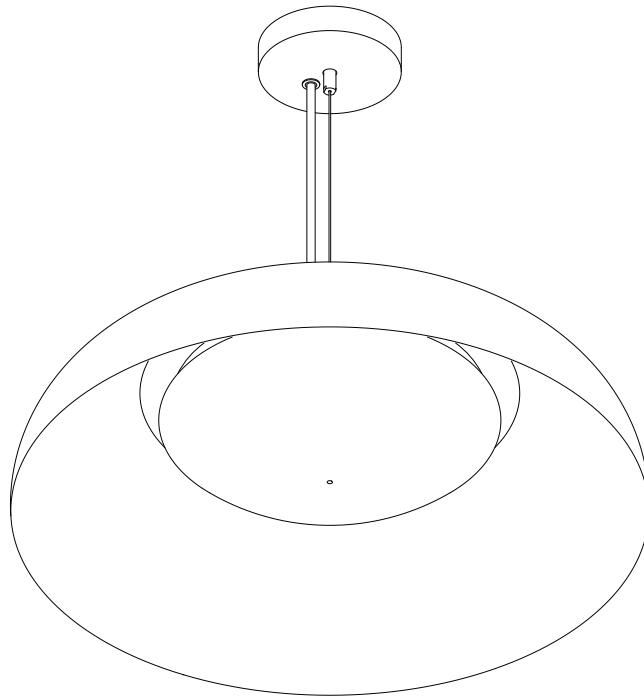
1      2      3      4      5      6      7      8      9

<b>1.</b>	<b>18</b>					<b>24</b>				
DIAMETER	18"DIA. (46CM)					24"DIA. (61CM)				
<b>2.</b>	<b>20LED</b>					<b>30LED</b>				
ILLUMINATION	20W LED					30W LED				
<b>3.</b>	<b>30K</b>			<b>35K</b>			<b>40K</b>			
LED CCT	3000K			3500K			4000K			
<b>4.</b>	<b>120</b>			<b>277</b>			<b>UNI</b>			
VOLTAGE	120V			277V			120 - 277V			
<b>5.</b>	<b>BC</b>					<b>WC</b>				
CORD	BLACK DROP CORD					WHITE DROP CORD				
<b>6.</b>	<b>F04</b>	<b>F05</b>	<b>F08</b>	<b>F09</b>	<b>F10</b>	<b>F13</b>	<b>F14</b>	<b>F15</b>	<b>F16</b>	<b>F18</b>
FINISH	MATTE WHITE	GLOSS WHITE	MIDNIGHT BLUE	PEWTER	FIRE RED	FOREST GREEN	SUNSHINE YELLOW	MATTE BLACK	GLOSS BLACK	SATIN ALUMINUM
	<b>F21</b>	<b>F31</b>	<b>F32</b>	<b>F33</b>	<b>RAL</b>					
	ARCH BRONZE	SILVER METALLIC	BRONZE METALLIC	PYRITE BRONZE	CUSTOM (SPECIFY)					
<b>7.</b>	<b>00</b>	<b>F04</b>	<b>F05</b>	<b>F10</b>	<b>F14</b>	<b>F15</b>	<b>F18</b>			
ACCENT FINISH	SAME AS OUTSIDE	MATTE WHITE	GLOSS WHITE	FIRE RED	SUNSHINE YELLOW	MATTE BLACK	SATIN ALUMINUM			
<b>8.</b>	---			<b>DIML</b>			<b>DIME</b>			
DIMMING	NONE			LED DIMMING (0 - 10V, CURRENT - SINKING)			LUTRON HI - LUMEN 1%			
<b>9.</b>	---					<b>EMR</b>				
EMERGENCY	NONE					REMOTE				

1. 10W AT 90 MINUTES

NOTE: SOME OPTIONS MAY NOT BE COMPATIBLE WITH OTHERS. ALL SPECIFICATIONS ARE SUBJECT TO CHANGE WITHOUT NOTICE. CONTACT TMS LIGHTING FOR UPDATED SPECIFICATIONS.

**351TA**



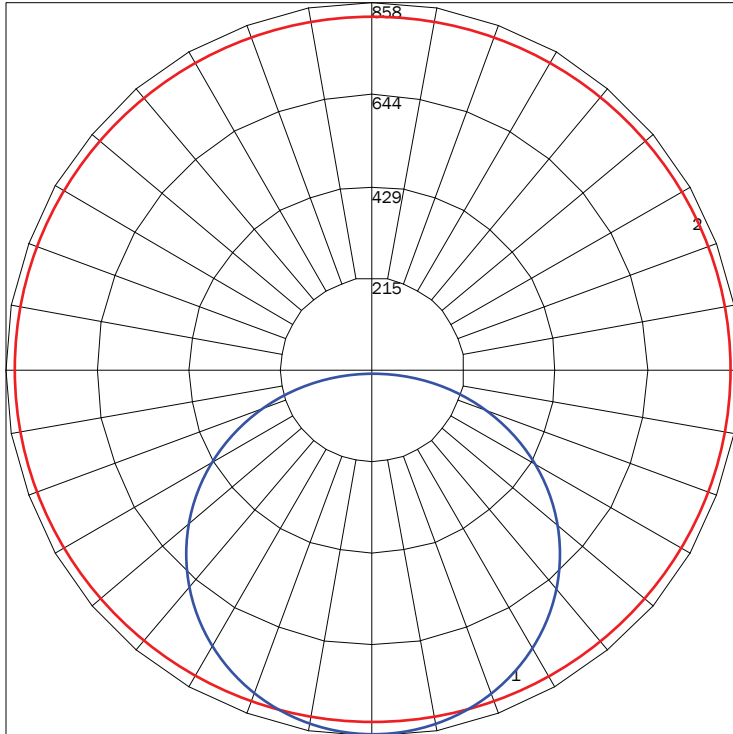
SIZE	LBS
18	4.5 LBS
24	7.65 LBS

## DIRECT

PN	SIZE (DIA)	ILLUMINATION	LUMENS	WATTAGE
351TA	18	20LED	2025	20
		30LED	2622	30
	24	20LED	2025	20
		30LED	2657	30

**IES INDOOR REPORT**  
**PHOTOMETRIC FILENAME :** 351TA 18 20LED F05.IES

### POLAR GRAPH

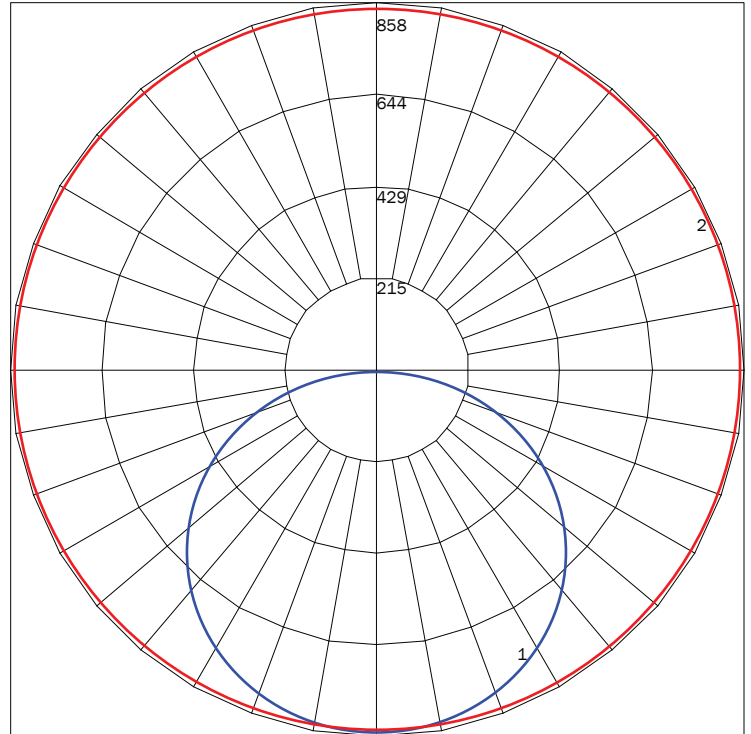


MAXIMUM CANDELA = 870.39 LOCATED AT HORIZONTAL ANGLE = 0, VERTICAL ANGLE = 0  
 # 1 - VERTICAL PLANE THROUGH HORIZONTAL ANGLES (0 - 180) (THROUGH MAX. CD.)  
 # 2 - HORIZONTAL CONE THROUGH VERTICAL ANGLE (0) (THROUGH MAX. CD.)

**LUMINAIRE LUMENS** 2622  
**TOTAL LUMINAIRE EFFICIENCY** 79%  
**LUMINAIRE EFFICACY RATING** 86  
**TOTAL LUMINAIRE WATTS** 30

**IES INDOOR REPORT**  
**PHOTOMETRIC FILENAME :** 351TA 24 30LED F05.IES

### POLAR GRAPH



MAXIMUM CANDELA = 858.49 LOCATED AT HORIZONTAL ANGLE = 180, VERTICAL ANGLE = 5  
 # 1 - VERTICAL PLANE THROUGH HORIZONTAL ANGLES (180 - 0) (THROUGH MAX. CD.)  
 # 2 - HORIZONTAL CONE THROUGH VERTICAL ANGLE (5) (THROUGH MAX. CD.)

**LUMINAIRE LUMENS** 2657  
**TOTAL LUMINAIRE EFFICIENCY** 80%  
**LUMINAIRE EFFICACY RATING** 87  
**TOTAL LUMINAIRE WATTS** 30

## AVAILABLE FINISHES



**F04**  
MATTE  
WHITE



**F05**  
GLOSS  
WHITE



**F08**  
MIDNIGHT  
BLUE



**F09**  
PEWTER



**F10**  
FIRE  
RED



**F13**  
FOREST  
GREEN



**F14**  
SUNSHINE  
YELLOW



**F15**  
MATTE  
BLACK



**F16**  
GLOSS  
BLACK



**F18**  
SATIN  
ALUMINUM



**F21**  
ARCH  
BRONZE



**F31**  
SILVER  
METALLIC



**F32**  
METALLIC  
BRONZE



**F33**  
PYRITE  
BRONZE



**RAL**  
CUSTOM  
COLOR  
(RAL #)

NOTE: DISPLAYED FINISHES DIFFER BETWEEN SCREENS AS WELL AS PRINTERS AND MAY NOT ACCURATELY DEPICT COLOR.