

PROJECT: _____

TYPE: _____

QUANTITY: _____



PN: 351TACL

APPLICATION	<ul style="list-style-type: none"> • CEILING MOUNT • INDOOR RATED
DIMENSION	<ul style="list-style-type: none"> • 24" (61CM)
ILLUMINATION	<ul style="list-style-type: none"> • DIRECT • LED 90CRI • 2,025 - 2,657 LUMENS
ELECTRICAL	<ul style="list-style-type: none"> • 120 - 277V AND UNI (120 - 277V) • 10kA SURGE SUPPRESSION STANDARD
DIFFUSERS	<ul style="list-style-type: none"> • HIGH EFFICIENCY ACRYLIC
MOUNTING	<ul style="list-style-type: none"> • CEILING, MOUNTED TO A 4" OCTAGONAL J-BOX
CONSTRUCTION	<ul style="list-style-type: none"> • ALUMINUM
FINISHES	<ul style="list-style-type: none"> • AVAILABLE IN SEVERAL TMS POWDER COATED FINISHES • CUSTOM RAL FINISHES AVAILABLE
DIMMING	<ul style="list-style-type: none"> • 0 - 10V STANDARD DIMMING (1%) • LUTRON (1%) DIMMING OPTIONAL
WEIGHT	<ul style="list-style-type: none"> • 11.5 LBS MAXIMUM





TAZA™ CEILING

PROJECT: _____

TYPE: _____

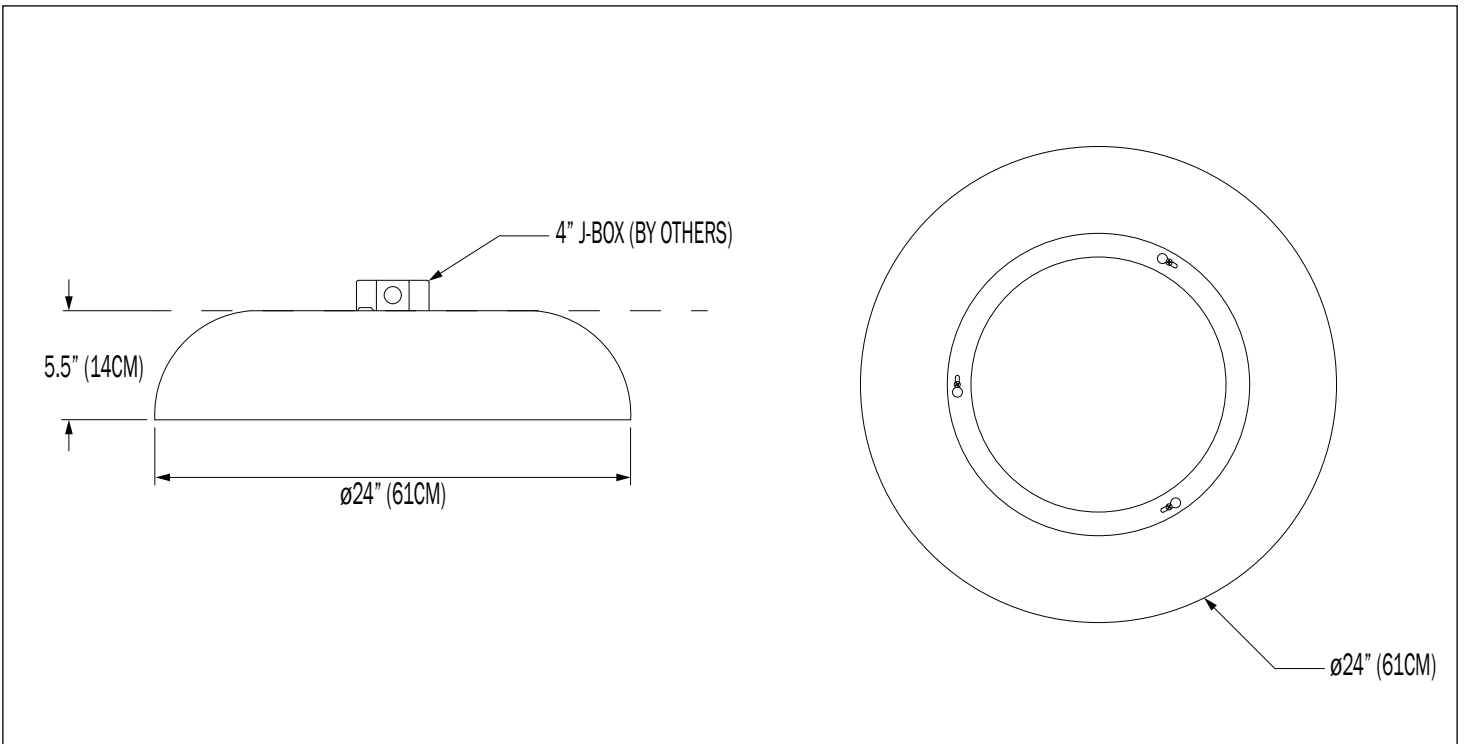
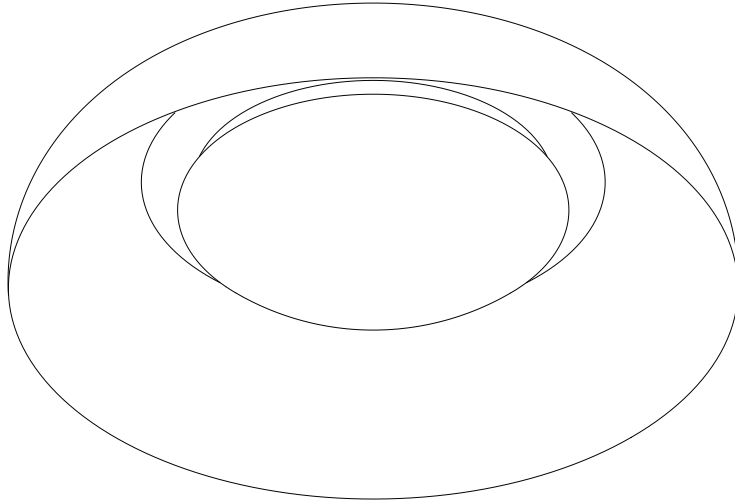
QUANTITY: _____

351TACL

1 2 3 4 5 6 7 8

1.	24									
DIAMETER	24" DIA. (61CM)									
2.	20LED					30LED				
ILLUMINATION	20W LED					30W LED				
3.	30K			35K			40K			
LED CCT	3000K			3500K			4000K			
4.	120			277			UNI			
VOLTAGE	120V			277V			120 - 277V			
5.	F04	F05	F08	F09	F10	F13	F14	F15	F16	F18
FINISH	MATTE WHITE	GLOSS WHITE	MIDNIGHT BLUE	PEWTER	FIRE RED	FOREST GREEN	SUNSHINE YELLOW	MATTE BLACK	GLOSS BLACK	SATIN ALUMINUM
	F21	F31	F32	F33	RAL					
	ARCH BRONZE	SILVER METALLIC	BRONZE METALLIC	PYRITE BRONZE	CUSTOM (SPECIFY)					
6.	00	F04	F05	F10	F14	F15	F18			
ACCENT FINISH	SAME AS OUTSIDE	MATTE WHITE	GLOSS WHITE	FIRE RED	SUNSHINE YELLOW	MATTE BLACK	SATIN ALUMINUM			
7.	---			DIML			DIME			
DIMMING	NONE			LED DIMMING (0 - 10V, CURRENT - SINKING)			LUTRON HI - LUMEN 1%			
8.	---					EMR				
EMERGENCY	NONE					REMOTE				

351TACL



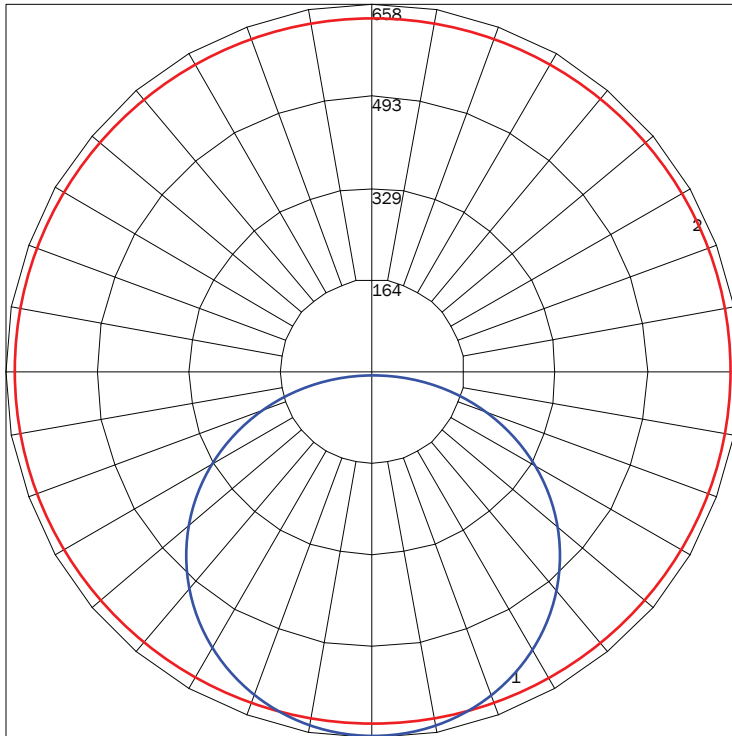
DIRECT

PN	ILLUMINATION	LUMENS	WATTAGE
351TACL	20LED	2025	20
	30LED	2657	30

IES INDOOR REPORT

PHOTOMETRIC FILENAME : 351TACL 24 20LED F05.IES

POLAR GRAPH



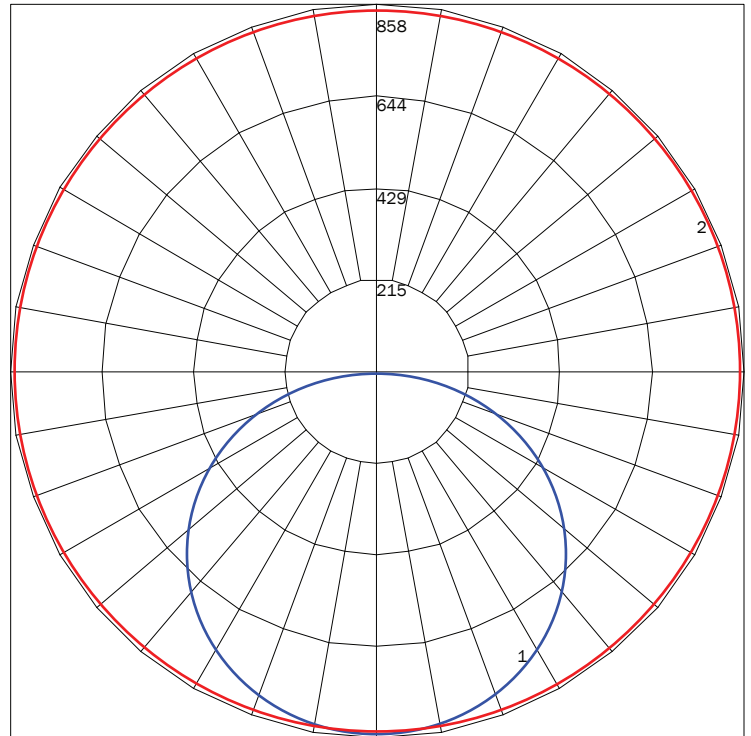
MAXIMUM CANDELA = 657.59 - LOCATED AT HORIZONTAL ANGLE = 0, VERTICAL ANGLE = 5
 # 1 - VERTICAL PLANE THROUGH HORIZONTAL ANGLES (0 - 180) (THROUGH MAX. CD.)
 # 2 - HORIZONTAL CONE THROUGH VERTICAL ANGLE (5) (THROUGH MAX. CD.)

LUMINAIRE LUMENS	2025
TOTAL LUMINAIRE EFFICIENCY	79%
LUMINAIRE EFFICACY RATING	97
TOTAL LUMINAIRE WATTS	20

IES INDOOR REPORT

PHOTOMETRIC FILENAME : 351TACL 24 30LED F05.IES

POLAR GRAPH



MAXIMUM CANDELA = 858.49 - LOCATED AT HORIZONTAL ANGLE = 180, VERTICAL ANGLE = 5
 # 1 - VERTICAL PLANE THROUGH HORIZONTAL ANGLES (180 - 0) (THROUGH MAX. CD.)
 # 2 - HORIZONTAL CONE THROUGH VERTICAL ANGLE (5) (THROUGH MAX. CD.)

LUMINAIRE LUMENS	2657
TOTAL LUMINAIRE EFFICIENCY	80%
LUMINAIRE EFFICACY RATING	87
TOTAL LUMINAIRE WATTS	30

AVAILABLE FINISHES



F04
MATTE
WHITE



F05
GLOSS
WHITE



F06
CLAY
BROWN



F07
ZEUS
BROWN



F08
MIDNIGHT
BLUE



F09
PEWTER



F10
FIRE
RED



F13
FOREST
GREEN



F14
SUNSHINE
YELLOW



F15
MATTE
BLACK



F16
GLOSS
BLACK



F18
SATIN
ALUMINUM



F21
ARCH
BRONZE



F22
HARVEST
GOLD



F23
MELTED
PLATINUM



F24
MELTED
GOLD



F25
MELTED
COPPER



F28
DARK
CHAMPAGNE



F31
SILVER
METALLIC



F32
METALLIC
BRONZE



F33
PYRITE
BRONZE



RAL
CUSTOM
COLOR
(RAL #)

NOTE: DISPLAYED FINISHES DIFFER BETWEEN SCREENS AS WELL AS PRINTERS AND MAY NOT ACCURATELY DEPICT COLOR.

ALL TMS FINISHES ARE POWDER-COATED WHITE (F05), UNLESS OTHERWISE SPECIFIED.

COLORS MARKED WITH AN ASTERISK (*) ARE APPLIED ON THE INSIDE AND OUTSIDE OF RLM REFLECTORS. OTHERWISE, THE OUTER SURFACE WILL BE COLOURED USING THE SPECIFIED FINISH AND THE INNER SURFACE WILL BE COATED WITH WHITE. FOR ALTERNATE PLATED FINISHES AND DIFFUSERS, CONTACT TMS LIGHTING FOR ASSISTANCE.