

SOLIDO™ PENDANT

PROJECT: _____

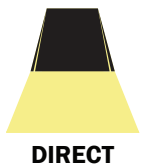
TYPE: _____

QUANTITY: _____



PN: 676S0

APPLICATION	<ul style="list-style-type: none"> • PENDANT MOUNT • INDOOR RATED
DIMENSION	<ul style="list-style-type: none"> • 16" (41CM)
ILLUMINATION	<ul style="list-style-type: none"> • DIRECT • LED 90CRI • 700 - 1401 LUMENS
ELECTRICAL	<ul style="list-style-type: none"> • 120 - 277V (347V CONSULT FACTORY) • 10kA SURGE SUPPRESSION STANDARD
DIFFUSERS	<ul style="list-style-type: none"> • HIGH EFFICIENCY ACRYLIC
MOUNTING	<ul style="list-style-type: none"> • 96" (244CM) BLACK OR WHITE DROP CORD W/ AIRCRAFT CABLES
CONSTRUCTION	<ul style="list-style-type: none"> • ALUMINUM
FINISHES	<ul style="list-style-type: none"> • AVAILABLE IN SEVERAL TMS POWDER COATED FINISHES • CUSTOM RAL FINISHES AVAILABLE
DIMMING	<ul style="list-style-type: none"> • 0 - 10V STANDARD DIMMING • LUTRON (1%) DIMMING OPTIONAL
WEIGHT	<ul style="list-style-type: none"> • 30 LBS MAXIMUM



SOLIDO™ PENDANT



PROJECT: _____

TYPE: _____

QUANTITY: _____

676S0

1 2 3 4 5 6 7 8 9 10

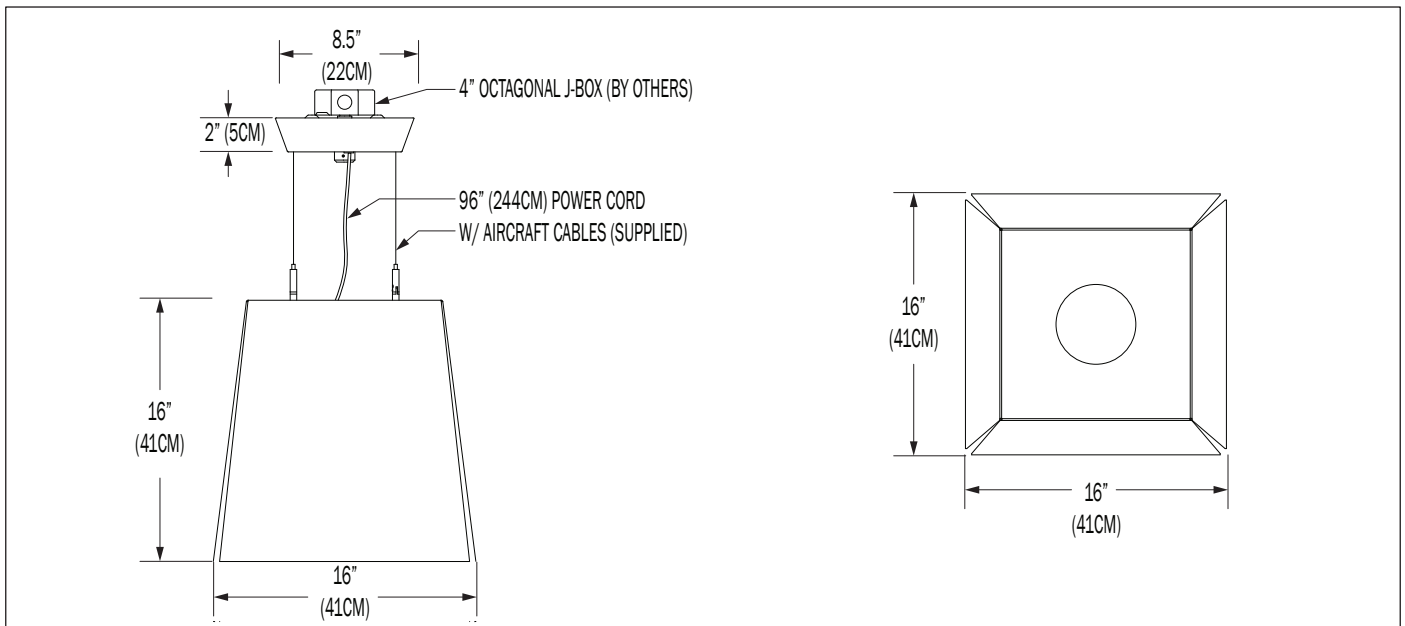
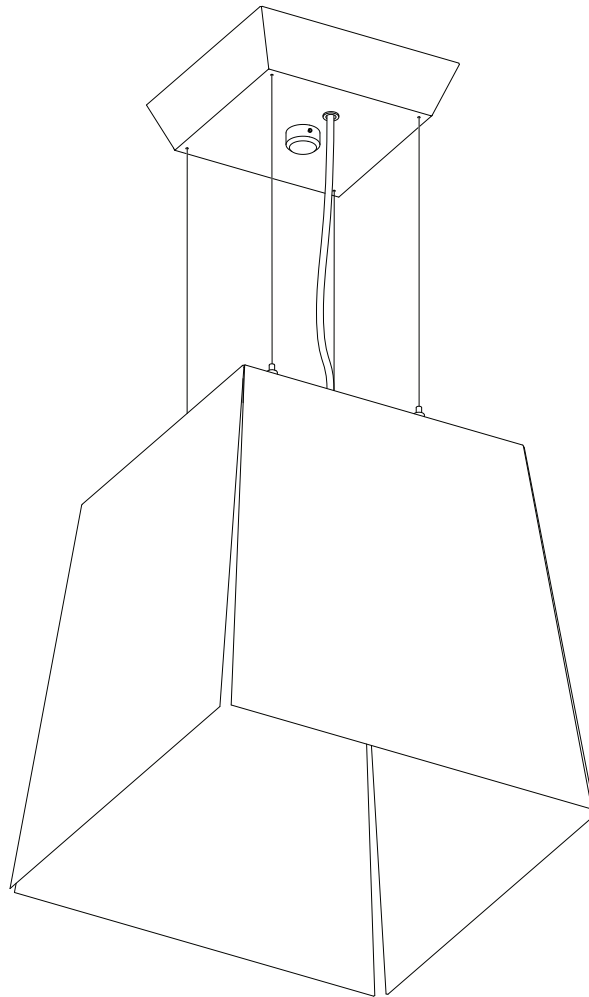
1.	16									
SIZE	16"W X 16"H (41CM X 41CM)									
2.	H	M			L			C: _____¹		
OUTPUT	100% LUMENS	75% LUMENS			50% LUMENS			[CUSTOM]% LUMENS		
3.	ILLUMINATION									
	20LED									
LED (W)	20W									
LUMENS	1401									
4.	30K			35K			40K			
CCT	3000			3500			4000			
5.	120			277			UNI			
VOLTAGE	120V			277V			120 - 277V			
6.	BC					WC				
CORD	BLACK DROP CORD					WHITE DROP CORD				
7.	F04	F05	F08	F09	F10	F13	F14	F15	F16	F18
FINISH	MATTE WHITE	GLOSS WHITE	MIDNIGHT BLUE	PEWTER	FIRE RED	FOREST GREEN	SUNSHINE YELLOW	MATTE BLACK	GLOSS BLACK	SATIN ALUMINUM
	F21	F31	F32	F33	RAL					
	ARCH BRONZE	SILVER METALLIC	BRONZE METALLIC	PYRITE BRONZE	CUSTOM (SPECIFY)					
8	00	F04	F05	F10	F14	F15	F18			
ACCENT ³ FINISH	SAME AS OUTSIDE	GLOSS WHITE	MATTE WHITE	FIRE RED	SUNSHINE YELLOW	MATTE BLACK	SATIN ALUMINUM			
9.	DIML					DIME				
DIMMING	STANDARD 0 - 10V					LUTRON HI - LUME				
10.	---					EMR				
EMERGENCY ³	NONE					REMOTE				

1. CUSTOM PERCENTAGE I.E. 60%. CONSULT FACTORY.
 2. REFLECTOR COLOR INSIDE
 3. 10W AT 90 MINUTES

NOTE: SOME OPTIONS MAY NOT BE COMPATIBLE WITH OTHERS. ALL SPECIFICATIONS ARE SUBJECT TO CHANGE WITHOUT NOTICE. CONTACT TMS LIGHTING FOR UPDATED SPECIFICATIONS.

SOLIDO™ PENDANT

676S0



CUSTOM

NOTE: THIS FIXTURE CAN BE CUSTOMIZE. DIMENSION, LAMP TYPES, ENCLOSURE, AND COLOR CAN BE MODIFIED TO SUIT YOUR LIGHTING AND ARCHITECTURAL REQUIREMENTS. CONTACT YOUR LOCAL REPRESENTATIVE FOR MORE DETAILS: <https://tmslighting.com/sales-agents.html>

TMSLIGHTING

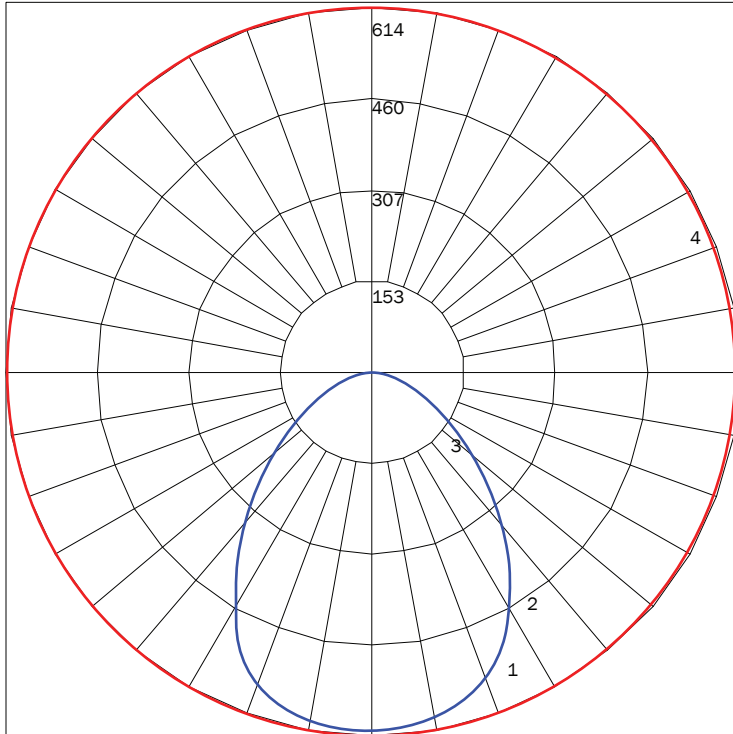
DIRECT

PN	LUMENS	WATTAGE
676S0	1401	20

IES INDOOR REPORT

PHOTOMETRIC FILENAME : 676S0 16 20W 35K F05 F05.IES

POLAR GRAPH



MAXIMUM CANDELA = 613.59 LOCATED AT HORIZONTAL ANGLE = 90, VERTICAL ANGLE = 10
 # 1 - VERTICAL PLANE THROUGH HORIZONTAL ANGLES (90 - 270) (THROUGH MAX. CD.)
 # 2 - VERTICAL PLANE THROUGH HORIZONTAL ANGLES (45 - 225)
 # 3 - VERTICAL PLANE THROUGH HORIZONTAL ANGLES (90 - 270)
 # 4 - HORIZONTAL CONE THROUGH VERTICAL ANGLE (10) (THROUGH MAX. CD.)

LUMINAIRE LUMENS	1401
TOTAL LUMINAIRE EFFICIENCY	61%
LUMINAIRE EFFICACY RATING	70
TOTAL LUMINAIRE WATTS	20

FINISHES



1: FINISHES IS APPLIED TO THE INTERIOR AND EXTERIOR OF THE FIXTURE.

2: MATERIALS ARE CONSISTENT (INTERIOR & EXTERIOR). STEMS AND CANOPIES WILL BE F16 GLOSS BLACK.

NOTE: ALL FINISHES NOT MARKED WITH NOTATION (1) ARE APPLIED TO THE EXTERIOR ONLY. THE INTERIOR WILL BE F05 GLOSS WHITE.

MATTE FINISHES AVAILABLE. CONSULT FACTORY.

FINISHES ARE SUBJECT TO AVAILABILITY AND MAY NOT BE APPLICABLE TO ALL FIXTURES OR FOR QUICKSHIP.

DISPLAYED FINISHES DIFFER BETWEEN SCREENS AS WELL AS PRINTERS AND MAY NOT ACCURATELY DEPICT COLOR.