

PROJECT: \_\_\_\_\_

TYPE: \_\_\_\_\_

QUANTITY: \_\_\_\_\_



## PN: 502SICL

<b>APPLICATION</b>	<ul style="list-style-type: none"> <li>• CEILING MOUNT</li> <li>• INDOOR RATED</li> </ul>
<b>DIMENSION</b>	<ul style="list-style-type: none"> <li>• 12"   24"   36" (304MM   609MM   914MM)</li> </ul>
<b>ILLUMINATION</b>	<ul style="list-style-type: none"> <li>• DIRECT ILLUMINATION</li> <li>• LED 90CRI</li> <li>• 686 - 2435 LUMENS</li> </ul>
<b>ELECTRICAL</b>	<ul style="list-style-type: none"> <li>• 120 - 277V (347V AVAILABLE)</li> <li>• 6KV SURGE SUPPRESSION STANDARD</li> </ul>
<b>DIFFUSERS</b>	<ul style="list-style-type: none"> <li>• HIGH EFFICIENCY ACRYLIC</li> </ul>
<b>MOUNTING</b>	<ul style="list-style-type: none"> <li>• 96" (2438MM) BLACK OR WHITE DROP CORD WITH AC CABLES</li> </ul>
<b>CONSTRUCTION</b>	<ul style="list-style-type: none"> <li>• ALUMINUM</li> </ul>
<b>FINISHES</b>	<ul style="list-style-type: none"> <li>• AVAILABLE IN SEVERAL TMS POWDER COATED FINISHES</li> <li>• CUSTOM RAL FINISHES AVAILABLE</li> </ul>
<b>DIMMING</b>	<ul style="list-style-type: none"> <li>• 0 - 10V STANDARD DIMMING (1%)</li> </ul>
<b>WEIGHT</b>	<ul style="list-style-type: none"> <li>• 30 LBS MAXIMUM</li> </ul>
<b>EMERGENCY</b>	<ul style="list-style-type: none"> <li>• REMOTE MOUNTED</li> </ul>





PROJECT: \_\_\_\_\_

TYPE: \_\_\_\_\_

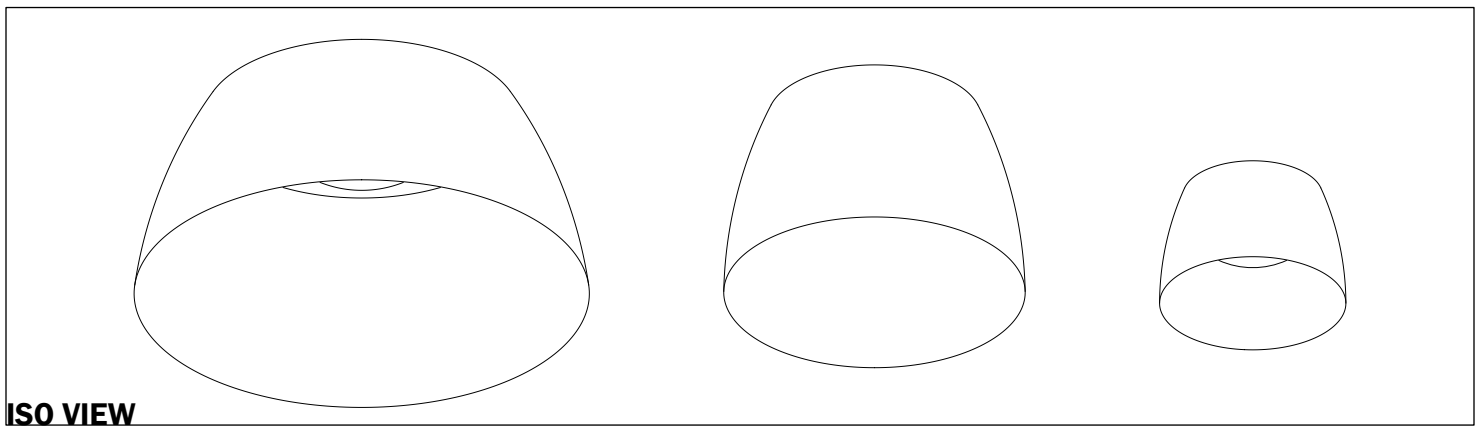
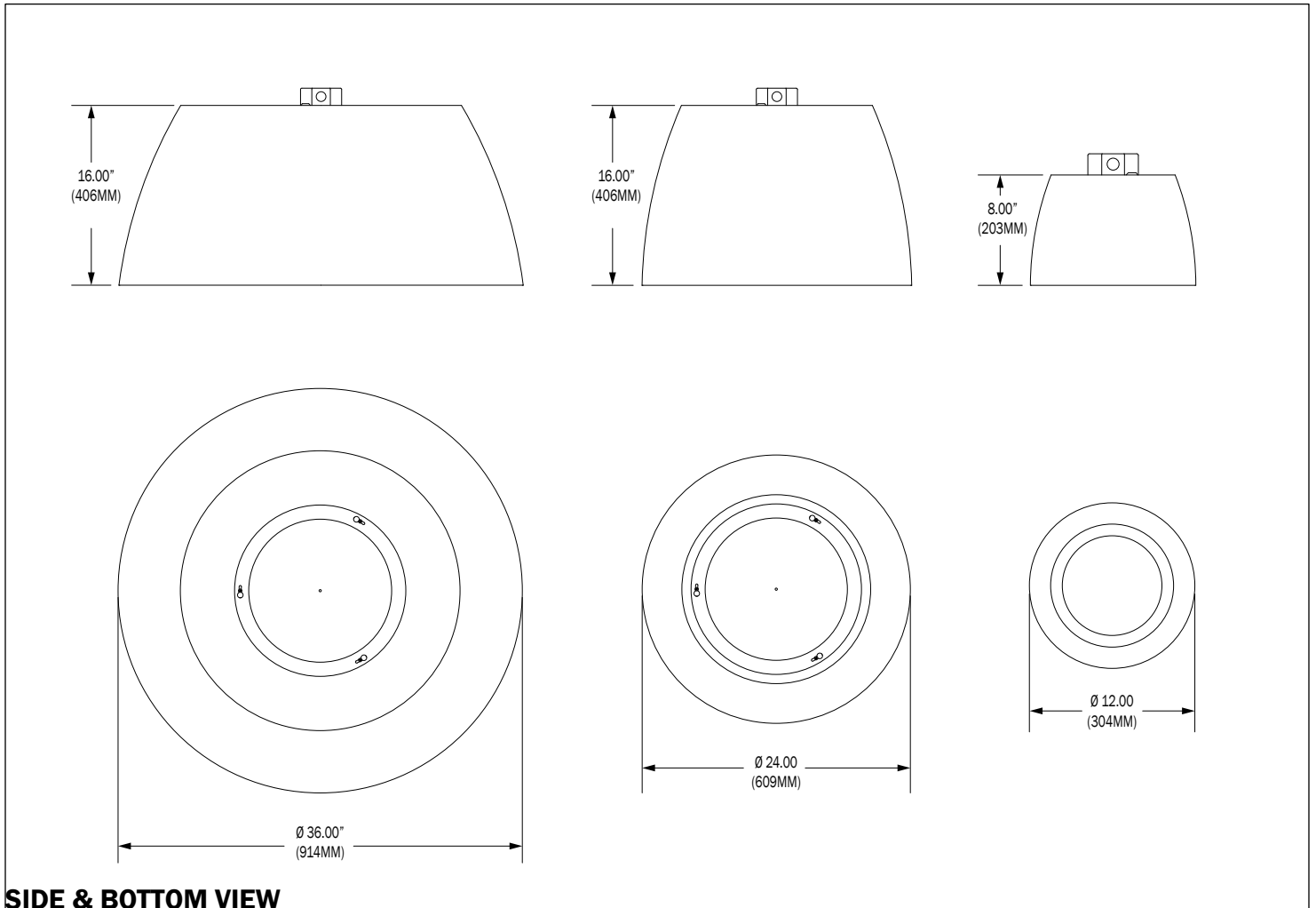
QUANTITY: \_\_\_\_\_

## 502SICL

1      2      3      4      5      6      7

<b>1.</b>	<b>12</b>			<b>24</b>			<b>36</b>			
DIA	12" (304MM)			24" (609MM)			36" (914MM)			
WATTAGE	10W MAX			20W MAX			30W MAX			
LUMENS	1372			1653			2435			
<b>2.</b>	<b>30K</b>			<b>35K</b>			<b>40K</b>			
CCT	3000			3500			4000			
<b>3.</b>	<b>120</b>			<b>227</b>			<b>347</b>			
VOLTAGE	120V			227V			347V			
<b>4.</b>	<b>F04</b>	<b>F05</b>	<b>F15</b>	<b>F16</b>	<b>F09</b>	<b>F31</b>	<b>F18</b>	<b>F06</b>	<b>F07</b>	<b>F08</b>
FINISH	MATTE WHITE	GLOSS WHITE	MATTE BLACK	GLOSS BLACK	PEWTER	SILVER METALLIC	SATIN ALUMINUM	CLAY BROWN	ZEUS BROWN	MIDNIGHT BLUE
	<b>F10</b>	<b>F11</b>	<b>F13</b>	<b>F14</b>	<b>F21</b>	<b>F22</b>	<b>F24</b>	<b>F25</b>	<b>F26</b>	<b>F28</b>
	FIRE RED	CITRUS ORANGE	FOREST GREEN	SUNSHINE YELLOW	ARCH. BRONZE	HARVEST GOLD	MELTED PLATINUM	MELTED GOLD	MELTED COPPER	DARK CAMPAGNE
	<b>F32</b>	<b>F33</b>	<b>F38</b>	<b>F39</b>	<b>F40</b>	<b>F41</b>	<b>F42</b>	<b>F43</b>	<b>F44</b>	<b>F45</b>
BRONZE METALLIC	PYRITE BRONZE	MEADOW GREEN	AQUA BLUE	BUBBLE PINK	ELECTRIC PURPLE	FAUX CHROME	FAUX GOLD	FAUX COPPER	COPPER METALLIC	
<b>5.</b>	<b>00</b>	<b>F04</b>	<b>F05</b>	<b>F15</b>	<b>F16</b>	<b>F18</b>	<b>F10</b>	<b>F11</b>	<b>F14</b>	<b>F38</b>
INTERIOR FINISH	SAME AS OUTSIDE	MATTE WHITE	GLOSS WHITE	MATTE BLACK	GLOSS BLACK	SATIN ALUMINUM	FIRE RED	CITRUS ORANGE	SUNSHINE YELLOW	MEADOW GREEN
	<b>F39</b>	<b>F40</b>	<b>F41</b>	<b>F42</b>	<b>F43</b>	<b>F44</b>	<b>RAL</b>			
	AQUA BLUE	BUBBLE PINK	ELECTRIC PURPLE	FAUX CHROME	FAUX GOLD	FAUX COPPER	CUSTOM (SPECIFY RAL)			
<b>6.</b>	<b>DIML</b>					<b>DIME</b>				
DIMMING <sup>1</sup>	STANDARD 0-10V					LUTRON HI-LUME (1%)				
<b>7.</b>	<b>EMR</b>									
EMERGENCY	REMOTE <sup>2</sup>									

1. FOR DALI AND OTHER DIMMING OPTIONS, CONSULT AGENT  
 2. REMOTE EMERGENCY 10W @ 90 MINUTES.



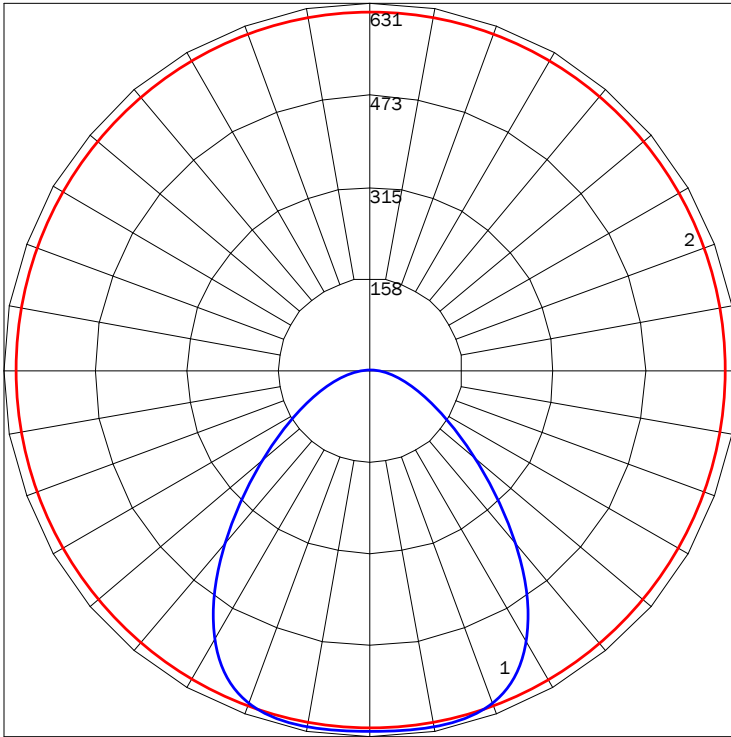
## DIRECT

SIZE	LUMENS H: 100%   M: 75%   L: 50%
12	H: 1372 @ 10W   M: 1029 @ 7W   L: 686 @ 5W
24	H: 1653 @ 20W   M: 1240 @ 15W   L: 827 @ 10W
36	H: 2453 @ 30W   M: 1840 @ 22W   L: 1227 @ 15W

### IES INDOOR REPORT

PHOTOMETRIC FILENAME : 50SICL 12 10LED F05.IES

### POLAR GRAPH



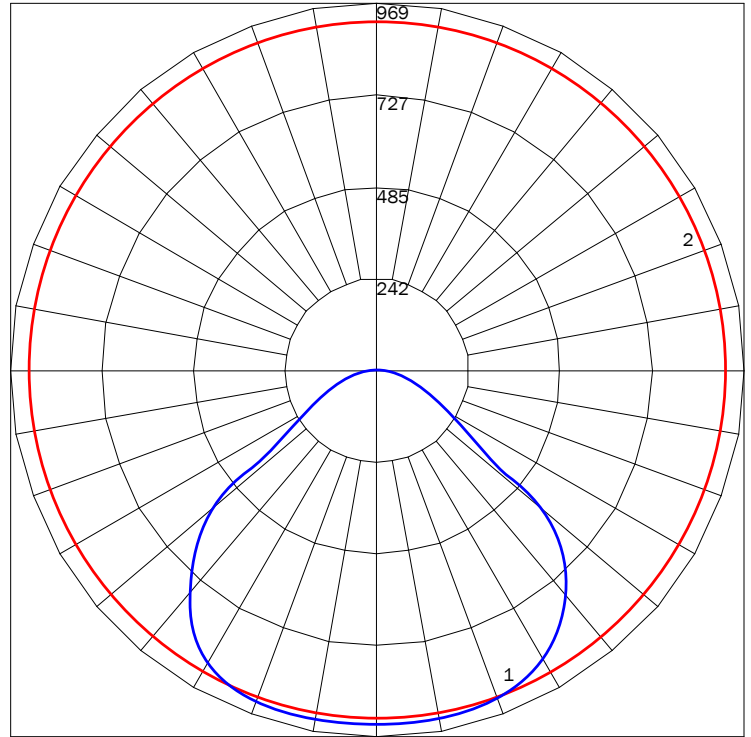
MAXIMUM CANDELA = 630.99 - LOCATED AT HORIZONTAL ANGLE = 22.5, VERTICAL ANGLE = 5  
 # 1 - VERTICAL PLANE THROUGH HORIZONTAL ANGLES (22.5 - 202.5) (THROUGH MAX. CD.)  
 # 2 - HORIZONTAL CONE THROUGH VERTICAL ANGLE (5) (THROUGH MAX. CD.)

<b>LUMINAIRE LUMENS</b>	1372
<b>TOTAL LUMINAIRE EFFICIENCY</b>	64%
<b>LUMINAIRE EFFECIENCY RATING</b>	85
<b>TOTAL LUMINAIRE WATTS</b>	10

### IES INDOOR REPORT

PHOTOMETRIC FILENAME : 50SICL 36 30LED F05.IES

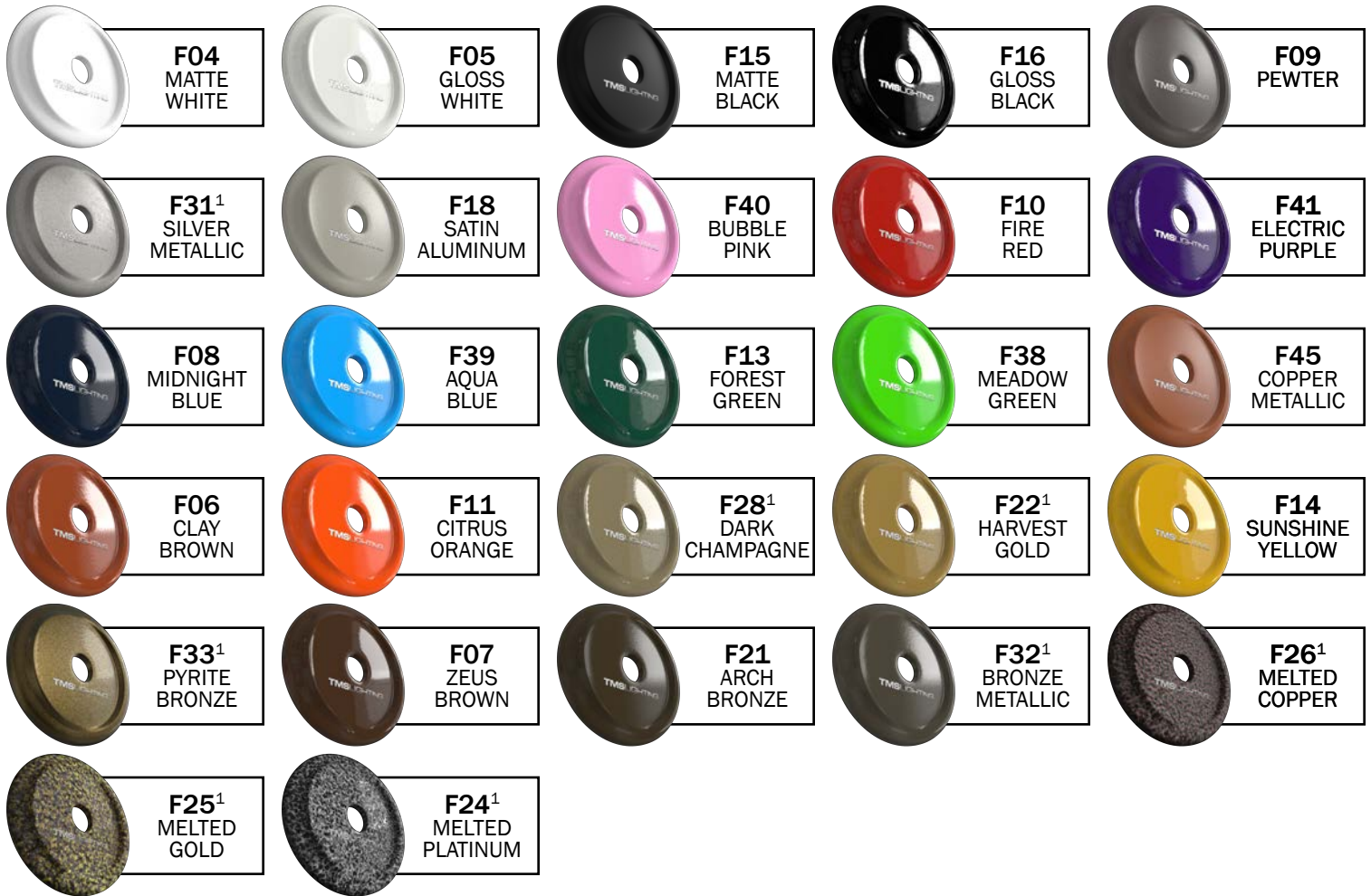
### POLAR GRAPH



MAXIMUM CANDELA = 969.47 - LOCATED AT HORIZONTAL ANGLE = 180, VERTICAL ANGLE = 15  
 # 1 - VERTICAL PLANE THROUGH HORIZONTAL ANGLES (180 - 0) (THROUGH MAX. CD.)  
 # 2 - HORIZONTAL CONE THROUGH VERTICAL ANGLE (15) (THROUGH MAX. CD.)

<b>LUMINAIRE LUMENS</b>	2435
<b>TOTAL LUMINAIRE EFFICIENCY</b>	73%
<b>LUMINAIRE EFFECIENCY RATING</b>	80
<b>TOTAL LUMINAIRE WATTS</b>	30

## FINISHES



## PREMIUM FINISHES



1: FINISHES IS APPLIED TO THE INTERIOR AND EXTERIOR OF THE FIXTURE.

2: MATERIALS ARE CONSISTENT (INTERIOR & EXTERIOR). STEMS AND CANOPIES WILL BE F16 GLOSS BLACK.

NOTE: ALL FINISHES NOT MARKED WITH NOTATION (1) ARE APPLIED TO THE EXTERIOR ONLY. THE INTERIOR WILL BE F05 GLOSS WHITE. MATTE FINISHES AVAILABLE. CONSULT FACTORY.

FINISHES ARE SUBJECT TO AVAILABILITY AND MAY NOT BE APPLICABLE TO ALL FIXTURES OR FOR QUICKSHIP.

DISPLAYED FINISHES DIFFER BETWEEN SCREENS AS WELL AS PRINTERS AND MAY NOT ACCURATELY DEPICT COLOR.