

PROJECT: _____

TYPE: _____

QUANTITY: _____



PN: 9

| | |
|---------------------|---|
| APPLICATION | <ul style="list-style-type: none"> • WALL MOUNT • INDOOR OR OUTDOOR RATED |
| DIMENSION | <ul style="list-style-type: none"> • 10" DIA (25CM) |
| ILLUMINATION | <ul style="list-style-type: none"> • DIRECT • LED 90CRI • 1,121 - 1,866 LUMENS |
| ELECTRICAL | <ul style="list-style-type: none"> • 120V, 277V, AND 347V • 10kA SURGE SUPPRESSION STANDARD |
| DRIVER | <ul style="list-style-type: none"> • WALL MOUNT (INTEGRAL) • REMOTE MOUNT (INDOOR OR OUTDOOR) |
| DIFFUSERS | <ul style="list-style-type: none"> • CLEAR OR FROSTED GLASS GLOBE |
| MOUNTING | <ul style="list-style-type: none"> • WALL, MOUNTED OVER A 4"(10CM) J-BOX |
| CONSTRUCTION | <ul style="list-style-type: none"> • ALUMINUM W/ MOUNTING ARM |
| FINISHES | <ul style="list-style-type: none"> • AVAILABLE IN ANODIZED, BRUSHED, AND SEVERAL TMS POWDER COATED FINISHES • CUSTOM RAL FINISHES AVAILABLE |
| DIMMING | <ul style="list-style-type: none"> • 0 - 10V STANDARD DIMMING |



DIRECT

SIGN 9™ SIGN



PROJECT: _____

TYPE: _____

QUANTITY: _____

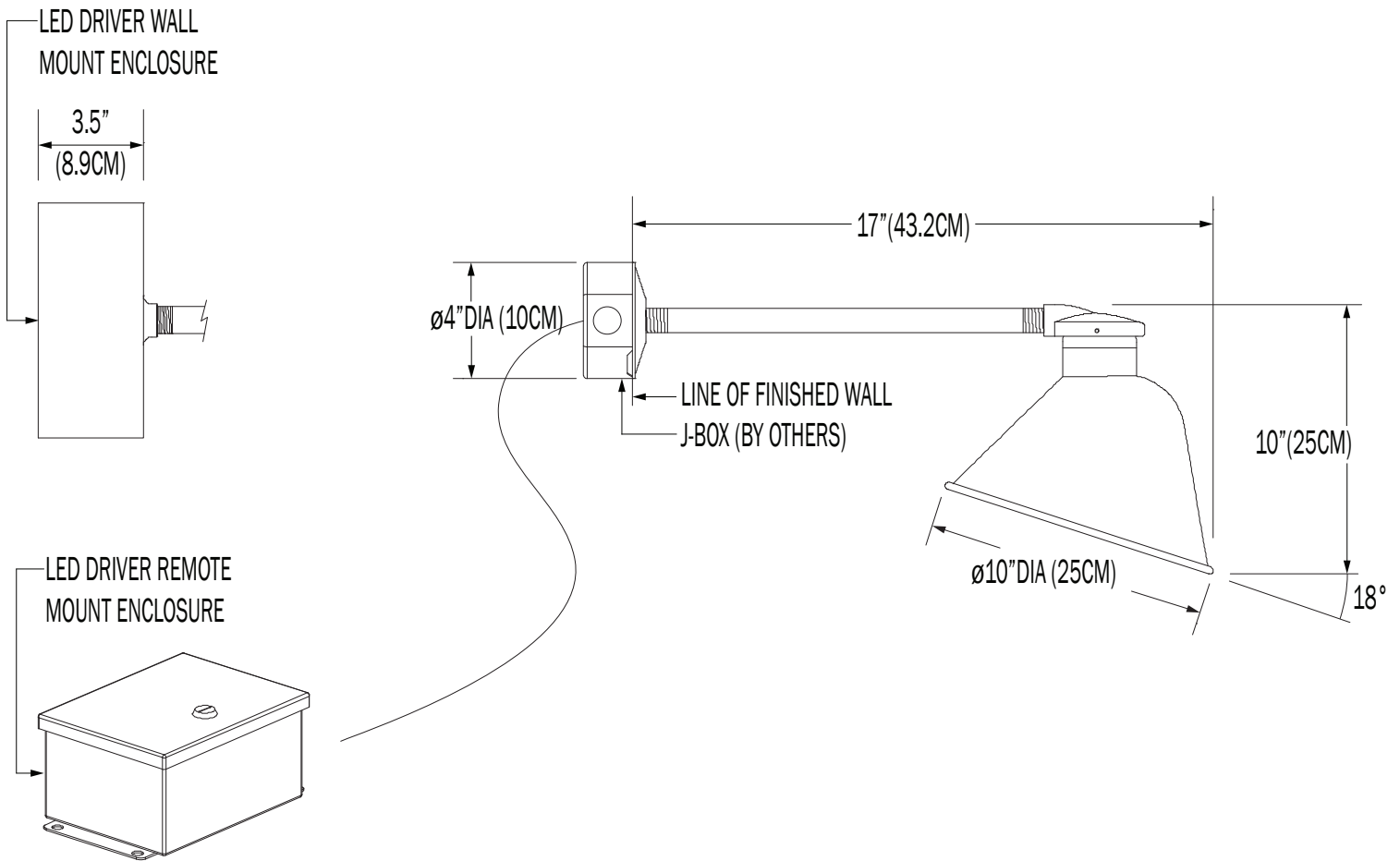
9 - 1 2 3 4 5 6 7 8

| 1. | ILLUMINATION | | | | | | | | | | |
|------------------------|--------------------|---------------|--|---------------------------------|--------------|--|-----------------|----------------------------------|---------------|-----------------|--|
| | 100IN ¹ | 15LED | 17LED ¹ | | | | 19LED | | | | |
| LED (W) | 100W | 15W | 17W PAR38 E26 MED. BASE, 4000L, 60° | | | | 19W | | | | |
| LUMENS | 1157 | 1121 | --- | | | | 1866 | | | | |
| 2. | --- | | 30K | 35K | | | | 40K | | | |
| LED CCT | NONE | | 3000K | 3500K | | | | 4000K | | | |
| 3. | 120 | | | 277 | | | | 347 | | | |
| VOLTAGE | 120V | | | 277V | | | | 347V | | | |
| 4. | --- | | WM | N1 | | | | N4 | | | |
| DRIVER | NONE | | WALL MOUNT (INTEGRAL) | REMOTE INDOOR MOUNT (NEMA 1) | | | | REMOTE OUTDOOR MOUNT (NEMA 4) | | | |
| 5. | F04 | F05 | F15 | F16 | F09 | F31 | F18 | F06 | F07 | F08 | |
| FINISH ² | MATTE WHITE | GLOSS WHITE | MATTE BLACK | GLOSS BLACK | PEWTER | SILVER METALLIC | SATIN ALUMINUM | CLAY BROWN | ZEUS BROWN | MIDNIGHT BLUE | |
| | F10 | F11 | F13 | F14 | F21 | F22 | F24 | F25 | F26 | F28 | |
| | FIRE RED | CITRUS ORANGE | FOREST GREEN | SUNSHINE YELLOW | ARCH. BRONZE | HARVEST GOLD | MELTED PLATINUM | MELTED GOLD | MELTED COPPER | DARK CAMPAGNE | |
| | F32 | F33 | F38 | F39 | F40 | F41 | F42 | F43 | F44 | F45 | |
| | BRONZE METALLIC | PYRITE BRONZE | MEADOW GREEN | AQUA BLUE | BUBBLE PINK | ELECTRIC PURPLE | FAUX CHROME | FAUX GOLD | FAUX COPPER | COPPER METALLIC | |
| | RAL | BR | AN | | | | | | | | |
| CUSTOM (SPECIFY RAL) | BRUSHED ALUMINUM | ANODIZED | | | | | | | | | |
| 6. | --- | | | | | DIML | | | | | |
| DIMMING | NONE | | | | | LED DIMMING (0 - 10V, CURRENT - SINKING) | | | | | |
| 7. | --- | | EM | EMC | | EMR | | EMCR | | | |
| EMERGENCY ³ | NONE | | INTEGRAL | INTEGRAL COLD PACK | | REMOTE | | REMOTE COLD PACK | | | |
| 8. | --- | | | | | W10 | | | | | |
| WIRE GUARD | NONE | | | | | 10" WIRE GUARD | | | | | |

1. INCANDESCENT SYSTEMS, AND 17W LED PAR 38 LAMPS, USE A MEDIUM BASE SOCKET (E26)
 2. REFLECTOR INSIDE IS FINISHED WHITE, AND SPECIFIED COLOR ON THE OUTSIDE. TEXTURED FINISHES ARE APPLIED TO ALL AREAS OF THE REFLECTOR. WALL PLATE OR DRIVER ENCLOSURE, CONDUIT, AND TOP CAP ARE ALWAYS IN "F18-SATIN ALUMINUM" FINISH.
 3. 10W AT 90 MINUTES. EMERGENCY OPTION IS ONLY AVAILABLE IN 120 - 277V SYSTEMS

NOTE: SOME OPTIONS MAY NOT BE COMPATIBLE WITH OTHERS. ALL SPECIFICATIONS ARE SUBJECT TO CHANGE WITHOUT NOTICE. CONTACT TMS LIGHTING FOR UPDATED SPECIFICATIONS.

9



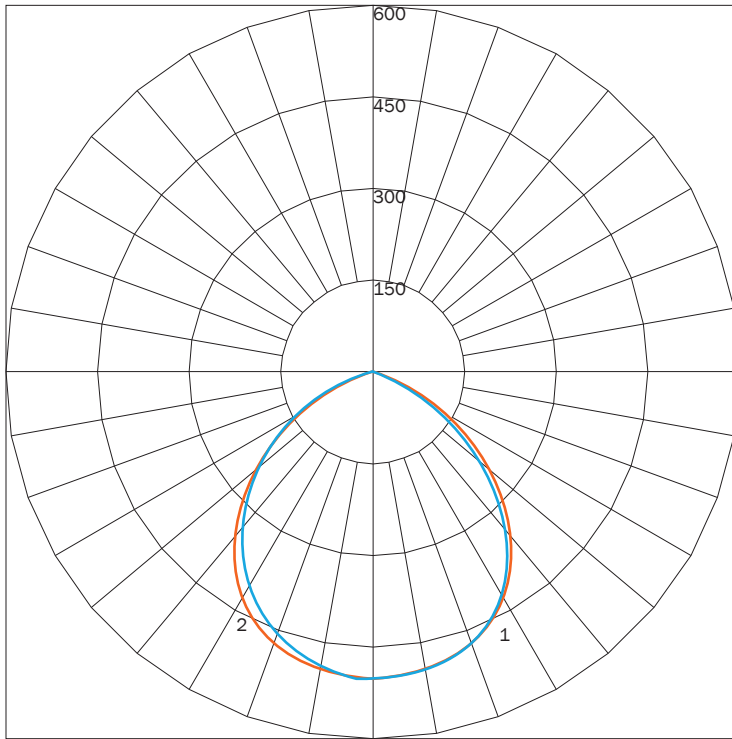
DIRECT

| PN | ILLUMINATION | LUMENS | WATTAGE |
|----|--------------|--------|---------|
| 9 | 100IN | 1157 | 100 |
| | 15LED | 1121 | 15 |
| | 19LED | 1866 | 19 |

IES INDOOR REPORT

PHOTOMETRIC FILENAME : 9 100IN PHO.IES

POLAR GRAPH



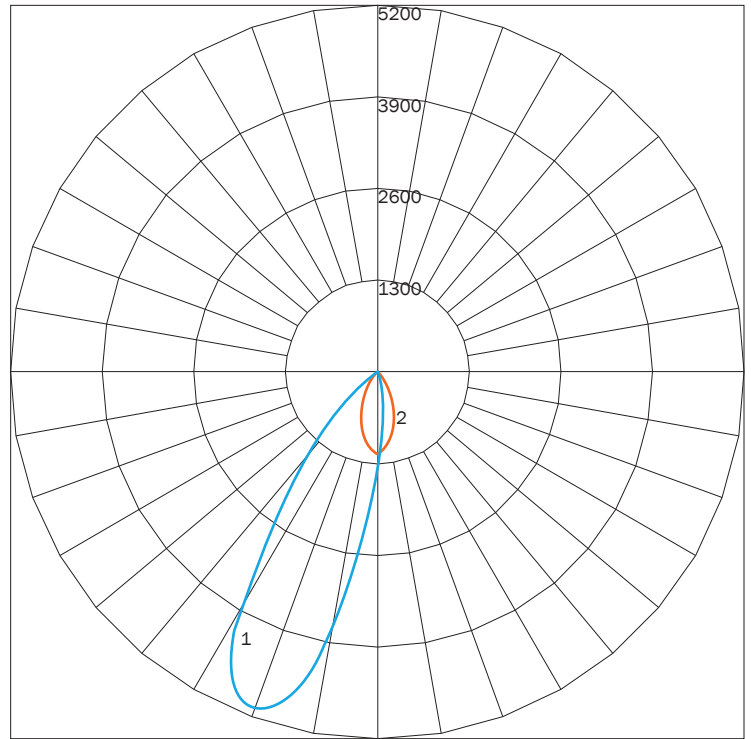
MAXIMUM CANDELA = 507.5 LOCATED AT HORIZONTAL ANGLE = 5, VERTICAL ANGLE = -1
 # 1 - VERTICAL PLANE THROUGH HORIZONTAL ANGLES (90 - 270) (THROUGH MAX. CD.)
 # 2 - VERTICAL PLANE THROUGH HORIZONTAL ANGLES (0 - 180) (THROUGH MAX. CD.)

LUMINAIRE LUMENS 1157
TOTAL LUMINAIRE EFFICIENCY 68%
LUMINAIRE EFFICACY RATING 12
TOTAL LUMINAIRE WATTS 100

IES INDOOR REPORT

PHOTOMETRIC FILENAME : 9 19LED PHO.IES

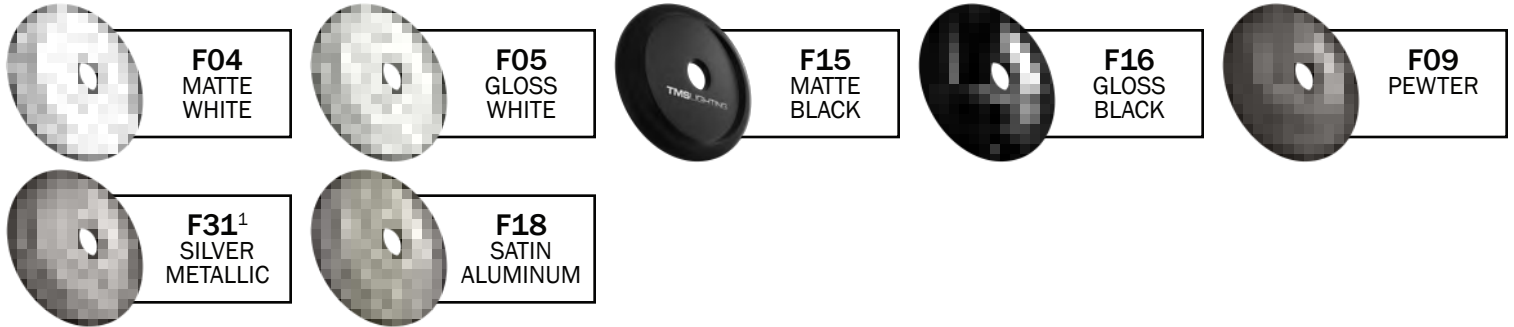
POLAR GRAPH



MAXIMUM CANDELA = 5081.89 LOCATED AT HORIZONTAL ANGLE = 0, VERTICAL ANGLE = -19.5
 # 1 - VERTICAL PLANE THROUGH HORIZONTAL ANGLES (90 - 270) (THROUGH MAX. CD.)
 # 2 - VERTICAL PLANE THROUGH HORIZONTAL ANGLES (0 - 180) (THROUGH MAX. CD.)

LUMINAIRE LUMENS 1866
TOTAL LUMINAIRE EFFICIENCY NA
LUMINAIRE EFFICACY RATING 85
TOTAL LUMINAIRE WATTS 22

FINISHES



PREMIUM FINISHES



PREMIUM MATERIALS



1: FINISHES IS APPLIED TO THE INTERIOR AND EXTERIOR OF THE FIXTURE.
 2: MATERIALS ARE CONSISTENT (INTERIOR & EXTERIOR). STEMS AND CANOPIES WILL BE F16 GLOSS BLACK.
 NOTE: ALL FINISHES NOT MARKED WITH NOTATION (1) ARE APPLIED TO THE EXTERIOR ONLY. THE INTERIOR WILL BE F05 GLOSS WHITE.
 MATTE FINISHES AVAILABLE. CONSULT FACTORY.
 FINISHES ARE SUBJECT TO AVAILABILITY AND MAY NOT BE APPLICABLE TO ALL FIXTURES OR FOR QUICKSHIP.
 DISPLAYED FINISHES DIFFER BETWEEN SCREENS AS WELL AS PRINTERS AND MAY NOT ACCURATELY DEPICT COLOR.