

PROJECT: _____

TYPE: _____

QUANTITY: _____



PN: 7

APPLICATION	<ul style="list-style-type: none"> • WALL MOUNT • INDOOR OR OUTDOOR RATED
DIMENSION	<ul style="list-style-type: none"> • 9" DIA (23CM)
ILLUMINATION	<ul style="list-style-type: none"> • DIRECT • LED 90CRI • 1,327 - 1,679 LUMENS
ELECTRICAL	<ul style="list-style-type: none"> • 120V, 277V, AND 347V • 10kA SURGE SUPPRESSION STANDARD
DRIVER	<ul style="list-style-type: none"> • WALL MOUNT (INTEGRAL) • REMOTE MOUNT (INDOOR OR OUTDOOR)
DIFFUSERS	<ul style="list-style-type: none"> • CLEAR OR FROSTED GLASS GLOBE
MOUNTING	<ul style="list-style-type: none"> • WALL, MOUNTED OVER A 4"(10CM) J-BOX
CONSTRUCTION	<ul style="list-style-type: none"> • ALUMINUM W/ MOUNTING ARM
FINISHES	<ul style="list-style-type: none"> • AVAILABLE IN ANODIZED, BRUSHED, AND SEVERAL TMS POWDER COATED FINISHES • CUSTOM RAL FINISHES AVAILABLE
DIMMING	<ul style="list-style-type: none"> • 0 - 10V STANDARD DIMMING



SIGN 7™ SIGN



PROJECT: _____

TYPE: _____

QUANTITY: _____

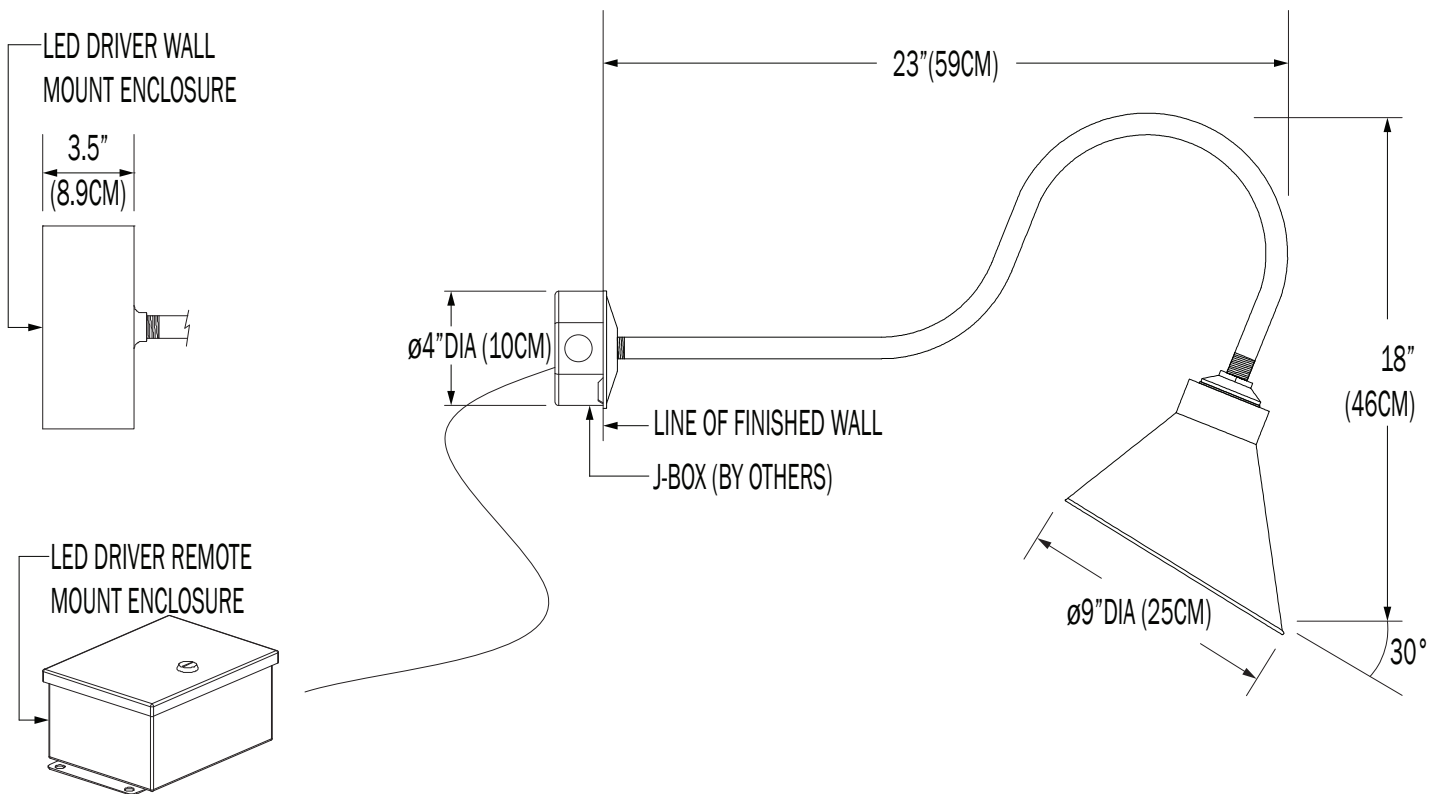
7 - 1 - 2 - 3 - 4 - 5 - 6 - 7 - 8 - 9

1.	ILLUMINATION									
	100IN ¹					15LED				
LED (W)	100W					15W				
LUMENS	1679					1327				
2.	---			30K			35K			40K
LED CCT	NONE			3000K			3500K			4000K
3.	120			277			347			
VOLTAGE	120V			277V			347V			
4.	---			WM			N1		N4	
DRIVER	NONE			WALL MOUNT (INTEGRAL)			REMOTE INDOOR MOUNT (NEMA 1)		REMOTE OUTDOOR MOUNT (NEMA 4)	
5.	F04	F05	F15	F16	F09	F31	F18	F06	F07	F08
FINISH ²	MATTE WHITE	GLOSS WHITE	MATTE BLACK	GLOSS BLACK	PEWTER	SILVER METALLIC	SATIN ALUMINUM	CLAY BROWN	ZEUS BROWN	MIDNIGHT BLUE
	F10	F11	F13	F14	F21	F22	F24	F25	F26	F28
	FIRE RED	CITRUS ORANGE	FOREST GREEN	SUNSHINE YELLOW	ARCH. BRONZE	HARVEST GOLD	MELTED PLATINUM	MELTED GOLD	MELTED COPPER	DARK CAMPAGNE
	F32	F33	F38	F39	F40	F41	F42	F43	F44	F45
	BRONZE METALLIC	PYRITE BRONZE	MEADOW GREEN	AQUA BLUE	BUBBLE PINK	ELECTRIC PURPLE	FAUX CHROME	FAUX GOLD	FAUX COPPER	COPPER METALLIC
	RAL	BR	AN							
CUSTOM (SPECIFY RAL)	BRUSHED ALUMINUM	ANODIZED								
6.	---					DIML				
DIMMING	NONE					LED DIMMING (0 - 10V, CURRENT - SINKING)				
7.	---		EM		EMC		EMR		EMCR	
EMERGENCY ³	NONE		INTEGRAL		INTEGRAL COLD PACK		REMOTE		REMOTE COLD PACK	
8.	---			G1			G2			
GLOBE/LENS	NONE			CLEAR, ELONGATED GLOBE			FROSTED GLOBE			
9.	---					AK				
ACCESSORIES	NONE					AIMING KNUCKLE				

1. INCANDESCENT SYSTEMS USE A MEDIUM BASE SOCKET (E26)
 2. REFLECTOR INSIDE IS FINISHED WHITE
 3. 10W AT 90 MINUTES. EMERGENCY OPTION IS ONLY AVAILABLE IN 120 - 277V SYSTEMS

NOTE: SOME OPTIONS MAY NOT BE COMPATIBLE WITH OTHERS. ALL SPECIFICATIONS ARE SUBJECT TO CHANGE WITHOUT NOTICE. CONTACT TMS LIGHTING FOR UPDATED SPECIFICATIONS.

7



CUSTOM

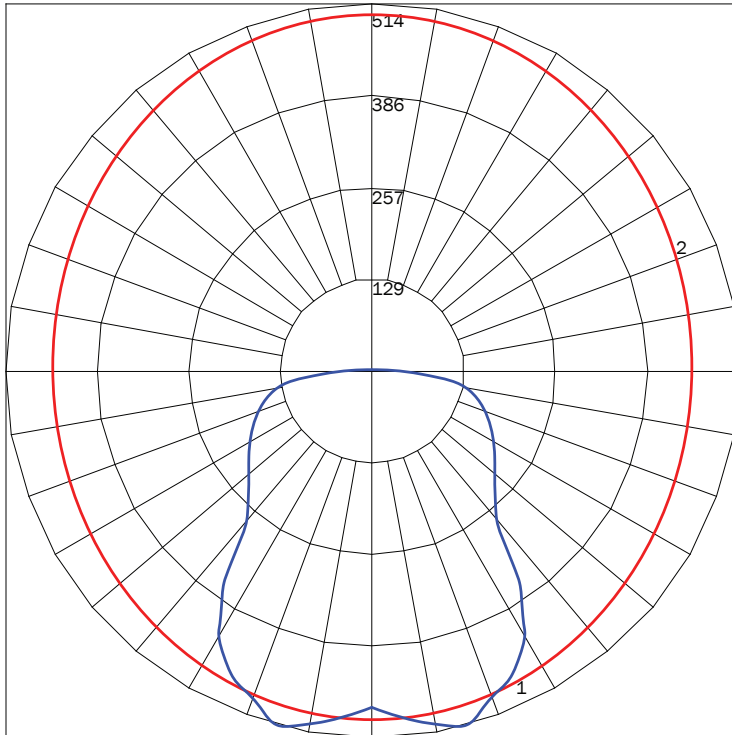
NOTE: THIS FIXTURE CAN BE CUSTOMIZE. DIMENSION, LAMP TYPES, ENCLOSURE, AND COLOR CAN BE MODIFIED TO SUIT YOUR LIGHTING AND ARCHITECTURAL REQUIREMENTS. CONTACT YOUR LOCAL REPRESENTATIVE FOR MORE DETAILS: <https://tmslighting.com/sales-agents.html>

DIRECT

PN	ILLUMINATION	LUMENS	WATTAGE
7	15LED	1327	15
	100IN	1679	100

IES INDOOR REPORT
PHOTOMETRIC FILENAME : 7 15LED 35K WM F05.IES

POLAR GRAPH

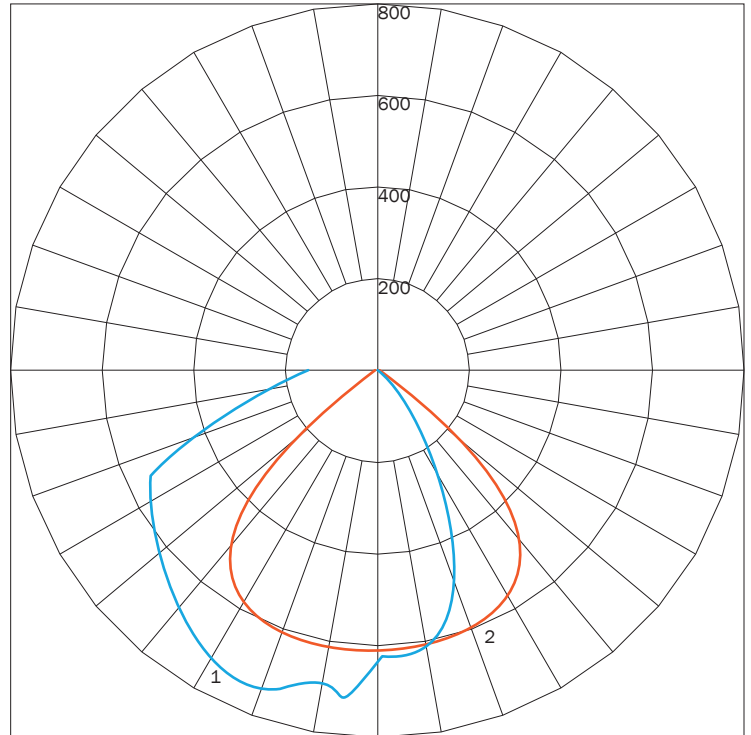


MAXIMUM CANDELA = 514.06 LOCATED AT HORIZONTAL ANGLE = 90, VERTICAL ANGLE = 15
 # 1 - VERTICAL PLANE THROUGH HORIZONTAL ANGLES (90 - 270) (THROUGH MAX. CD.)
 # 2 - HORIZONTAL CONE THROUGH VERTICAL ANGLE (15) (THROUGH MAX. CD.)

LUMINAIRE LUMENS 1327
TOTAL LUMINAIRE EFFICIENCY 94%
LUMINAIRE EFFICACY RATING 88
TOTAL LUMINAIRE WATTS 15

IES INDOOR REPORT
PHOTOMETRIC FILENAME : 7 100IN.IES

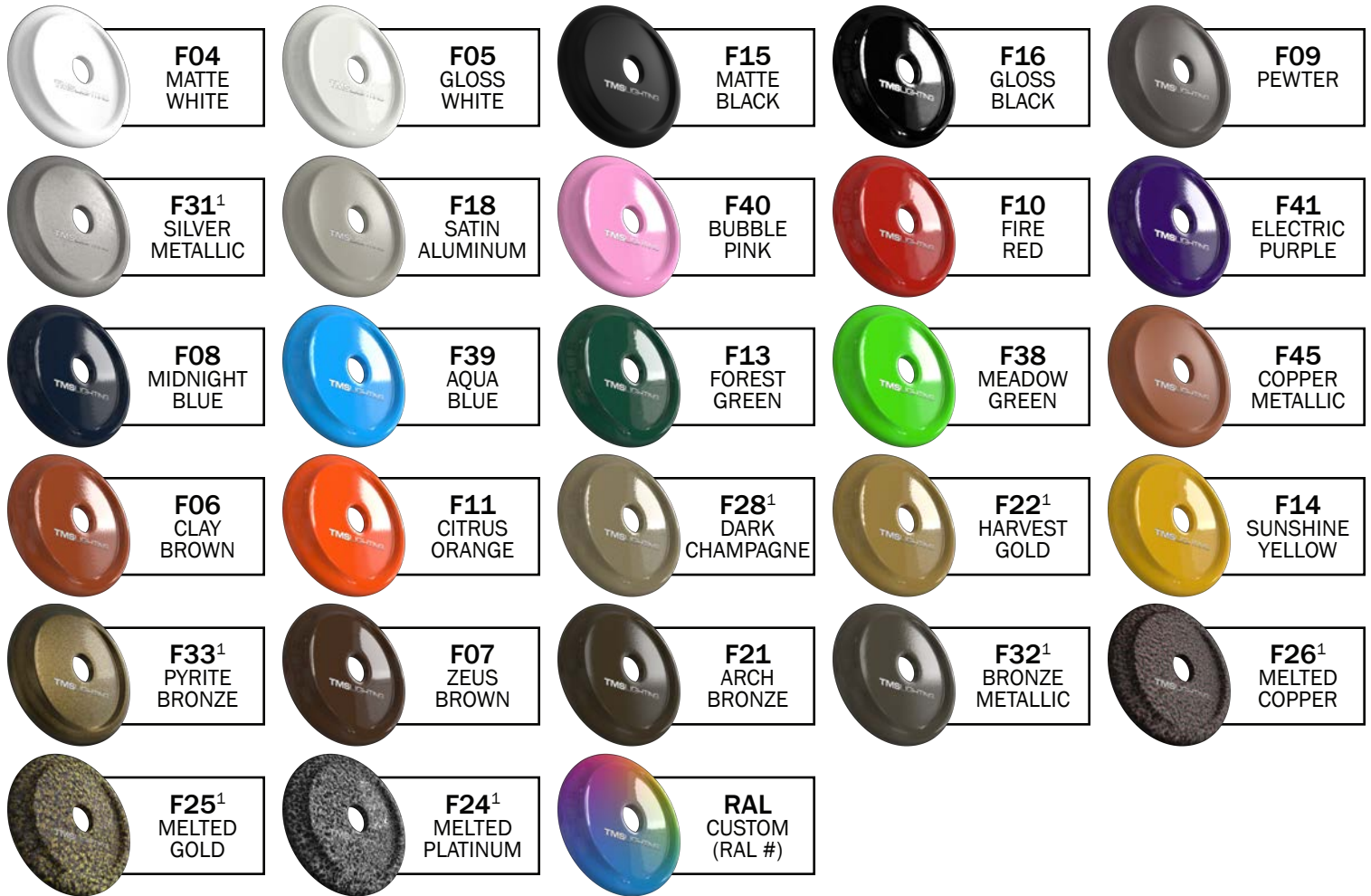
POLAR GRAPH



MAXIMUM CANDELA = 751 LOCATED AT HORIZONTAL ANGLE = 0, VERTICAL ANGLE = 19.5
 # 1 - VERTICAL PLANE THROUGH HORIZONTAL ANGLES (90 - 270) (THROUGH MAX. CD.)
 # 2 - VERTICAL PLANE THROUGH HORIZONTAL ANGLES (0 - 180) (THROUGH MAX. CD.)

LUMINAIRE LUMENS 1637
TOTAL LUMINAIRE EFFICIENCY 99%
LUMINAIRE EFFICACY RATING 16
TOTAL LUMINAIRE WATTS 100

FINISHES



PREMIUM FINISHES



PREMIUM MATERIALS



1: FINISHES IS APPLIED TO THE INTERIOR AND EXTERIOR OF THE FIXTURE.
 2: MATERIALS ARE CONSISTENT (INTERIOR & EXTERIOR). STEMS AND CANOPIES WILL BE F16 GLOSS BLACK.
 NOTE: ALL FINISHES NOT MARKED WITH NOTATION (1) ARE APPLIED TO THE EXTERIOR ONLY. THE INTERIOR WILL BE F05 GLOSS WHITE.
 MATTE FINISHES AVAILABLE. CONSULT FACTORY.
 FINISHES ARE SUBJECT TO AVAILABILITY AND MAY NOT BE APPLICABLE TO ALL FIXTURES OR FOR QUICKSHIP.
 DISPLAYED FINISHES DIFFER BETWEEN SCREENS AS WELL AS PRINTERS AND MAY NOT ACCURATELY DEPICT COLOR.