

PROJECT: _____

TYPE: _____

QUANTITY: _____



PN: 26

APPLICATION	<ul style="list-style-type: none">• WALL MOUNT• INDOOR OR OUTDOOR RATED
DIMENSION	<ul style="list-style-type: none">• 10" DIA (25CM)
ILLUMINATION	<ul style="list-style-type: none">• DIRECT• LED 90CRI• 768 - 1,802 LUMENS
ELECTRICAL	<ul style="list-style-type: none">• 120V, 277V, AND 347V• 10kA SURGE SUPPRESSION STANDARD
DRIVER	<ul style="list-style-type: none">• WALL MOUNT (INTEGRAL)• REMOTE MOUNT (INDOOR OR OUTDOOR)
DIFFUSERS	<ul style="list-style-type: none">• CLEAR OR FROSTED GLASS GLOBE
MOUNTING	<ul style="list-style-type: none">• WALL, MOUNTED OVER A 4"(10CM) J-BOX
CONSTRUCTION	<ul style="list-style-type: none">• ALUMINUM W/ MOUNTING ARM
FINISHES	<ul style="list-style-type: none">• AVAILABLE IN ANODIZED, BRUSHED, AND SEVERAL TMS POWDER COATED FINISHES• CUSTOM RAL FINISHES AVAILABLE
DIMMING	<ul style="list-style-type: none">• 0 - 10V STANDARD DIMMING



SIGN 26™ SIGN



PROJECT: _____
 TYPE: _____
 QUANTITY: _____

26

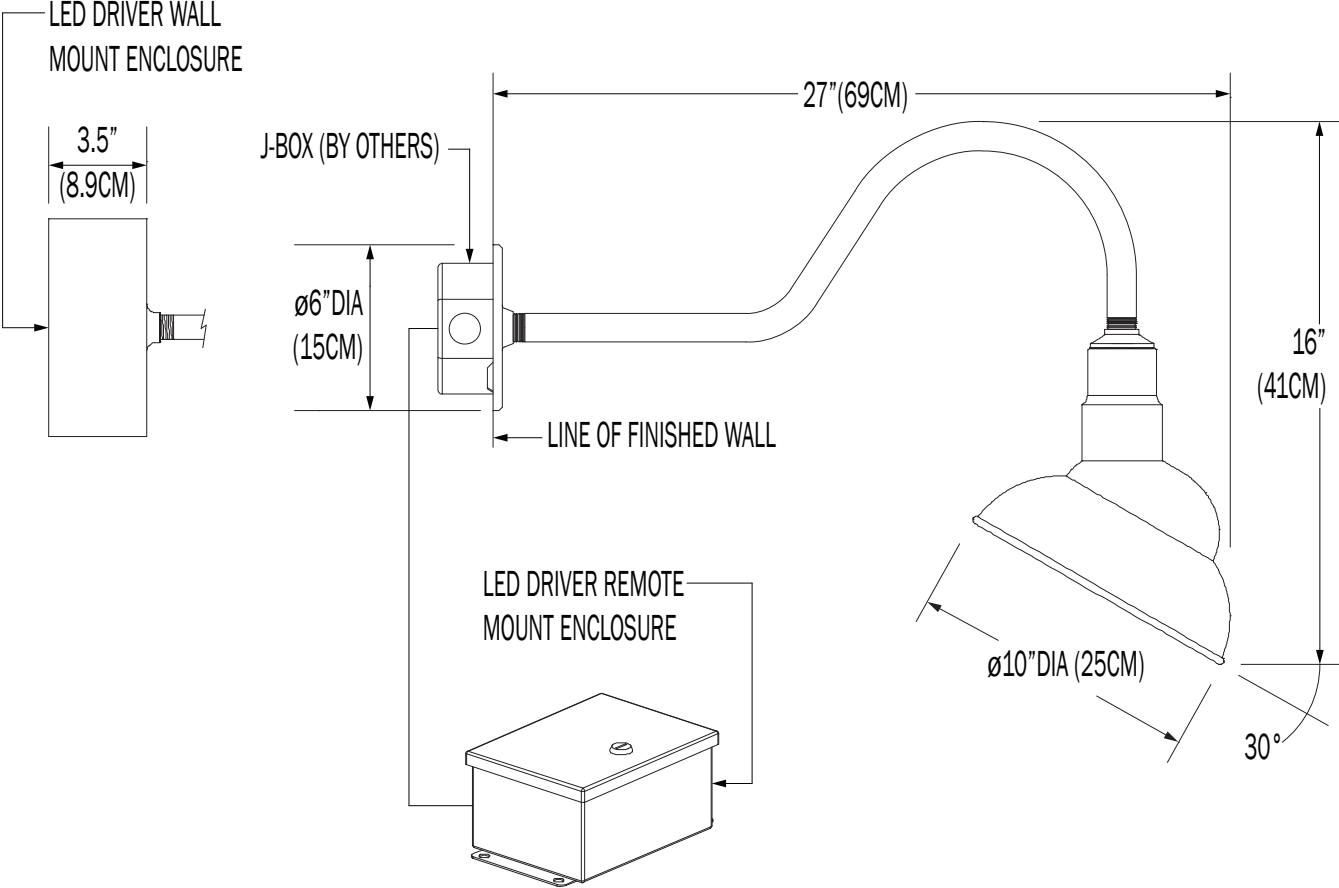
1 2 3 4 5 6 7 8 9 10

1. ILLUMINATION											
	100IN ¹		15LED			17LED ¹		19LED			
LED (W)	100W		15W			17W PAR38 E26 MED. BASE, 4000L, 60°		19W			
LUMENS	768		1350			---		1802			
2.											
	---		30K			35K		40K			
LED CCT	NONE		3000K			3500K		4000K			
3.											
	120			277				347			
VOLTAGE	120V			277V				347V			
4.											
	---		WM			N1		N4			
DRIVER	NONE		WALL MOUNT (INTEGRAL)			REMOTE INDOOR MOUNT (NEMA 1)		REMOTE OUTDOOR MOUNT (NEMA 4)			
5. FINISH ²											
	F04	F05	F15	F16	F09	F31	F18	F06	F07	F08	
	MATTE WHITE	GLOSS WHITE	MATTE BLACK	GLOSS BLACK	PEWTER	SILVER METALLIC	SATIN ALUMINUM	CLAY BROWN	ZEUS BROWN	MIDNIGHT BLUE	
	F10	F11	F13	F14	F21	F22	F24	F25	F26	F28	
	FIRE RED	CITRUS ORANGE	FOREST GREEN	SUNSHINE YELLOW	ARCH. BRONZE	HARVEST GOLD	MELTED PLATINUM	MELTED GOLD	MELTED COPPER	DARK CAMPAGNE	
	F32	F33	F38	F39	F40	F41	F42	F43	F44	F45	
	BRONZE METALLIC	PYRITE BRONZE	MEADOW GREEN	AQUA BLUE	BUBBLE PINK	ELECTRIC PURPLE	FAUX CHROME	FAUX GOLD	FAUX COPPER	COPPER METALLIC	
	RAL	BR	AN								
	CUSTOM (SPECIFY RAL)	BRUSHED ALUMINUM	ANODIZED								
6. DIMMING											
	---					DIML					
DIMMING	NONE					LED DIMMING (0 - 10V, CURRENT - SINKING)					
7. EMERGENCY ³											
	---		EM		EMC		EMR		EMCR		
EMERGENCY ³	NONE		INTEGRAL		INTEGRAL COLD PACK		REMOTE		REMOTE COLD PACK		
8. GLOBE/ ⁴ LENS											
	---			G1				G2			
GLOBE/ ⁴ LENS	NONE			CLEAR, ELONGATED GLOBE				FROSTED GLOBE			
9. WIRE GUARD											
	---					W10					
WIRE GUARD	NONE					10" WIRE GUARD					
10. ACCESSORIES											
	---					AK					
ACCESSORIES	NONE					AIMING KNUCKLE					

1. INCANDESCENT SYSTEMS, AND 17W LED PAR 38 LAMPS, USE A MEDIUM BASE SOCKET (E26)
 2. REFLECTOR INSIDE IS FINISHED WHITE, AND SPECIFIED COLOR ON THE OUTSIDE. TEXTURED FINISHES ARE APPLIED TO ALL AREAS OF THE REFLECTOR
 3. 10W AT 90 MINUTES. EMERGENCY OPTION IS ONLY AVAILABLE IN 120 - 277V SYSTEMS
 4. GLOBES ARE NOT AVAILABLE WITH THE 17W LED PAR 38 LAMPS

NOTE: SOME OPTIONS MAY NOT BE COMPATIBLE WITH OTHERS. ALL SPECIFICATIONS ARE SUBJECT TO CHANGE WITHOUT NOTICE. CONTACT TMS LIGHTING FOR UPDATED SPECIFICATIONS.

26



CUSTOM

NOTE: THIS FIXTURE CAN BE CUSTOMIZE. DIMENSION, LAMP TYPES, ENCLOSURE, AND COLOR CAN BE MODIFIED TO SUIT YOUR LIGHTING AND ARCHITECTURAL REQUIREMENTS. CONTACT YOUR LOCAL REPRESENTATIVE FOR MORE DETAILS: <https://tmslighting.com/sales-agents.html>

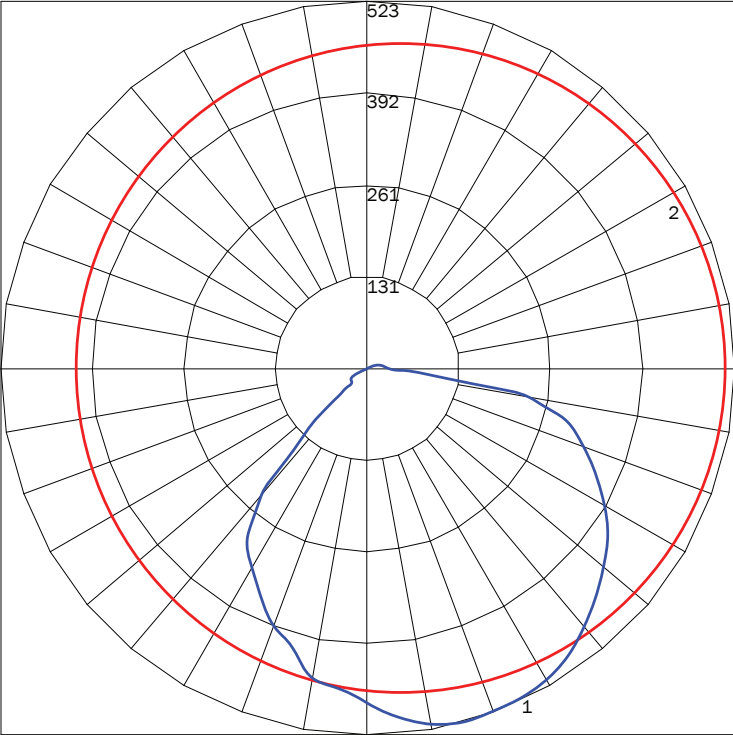
DIRECT

PN	ILLUMINATION	LUMENS	WATTAGE
26	100IN	768	100
	15LED	1350	15
	19LED	1802	20

IES INDOOR REPORT
PHOTOMETRIC FILENAME : 26 15LED 35K WM F05.IES

IES INDOOR REPORT
PHOTOMETRIC FILENAME : 26 19LED 35K WM F05.IES

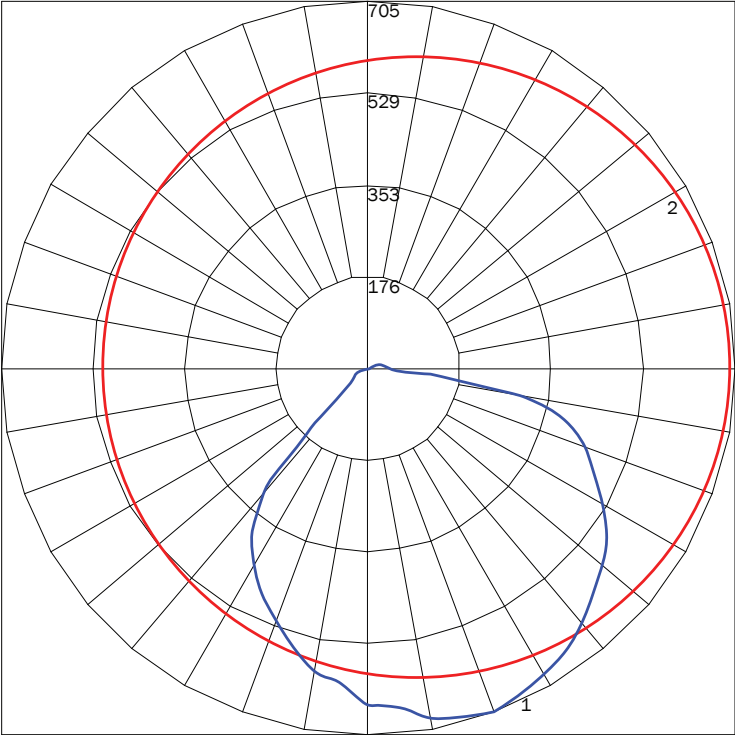
POLAR GRAPH



MAXIMUM CANDELA = 522.55 LOCATED AT HORIZONTAL ANGLE = 0, VERTICAL ANGLE = 15
 # 1 - VERTICAL PLANE THROUGH HORIZONTAL ANGLES (0 - 180) (THROUGH MAX. CD.)
 # 2 - HORIZONTAL CONE THROUGH VERTICAL ANGLE (15) (THROUGH MAX. CD.)

LUMINAIRE LUMENS 1350
TOTAL LUMINAIRE EFFICIENCY 95%
LUMINAIRE EFFICACY RATING 90
TOTAL LUMINAIRE WATTS 15

POLAR GRAPH



MAXIMUM CANDELA = 705.18 LOCATED AT HORIZONTAL ANGLE = 0, VERTICAL ANGLE = 20
 # 1 - VERTICAL PLANE THROUGH HORIZONTAL ANGLES (0 - 180) (THROUGH MAX. CD.)
 # 2 - HORIZONTAL CONE THROUGH VERTICAL ANGLE (20) (THROUGH MAX. CD.)

LUMINAIRE LUMENS 1802
TOTAL LUMINAIRE EFFICIENCY 95%
LUMINAIRE EFFICACY RATING 90
TOTAL LUMINAIRE WATTS 20

FINISHES



PREMIUM FINISHES



PREMIUM MATERIALS



1: FINISHES IS APPLIED TO THE INTERIOR AND EXTERIOR OF THE FIXTURE.
 2: MATERIALS ARE CONSISTENT (INTERIOR & EXTERIOR). STEMS AND CANOPIES WILL BE F16 GLOSS BLACK.
 NOTE: ALL FINISHES NOT MARKED WITH NOTATION (1) ARE APPLIED TO THE EXTERIOR ONLY. THE INTERIOR WILL BE F05 GLOSS WHITE.
 MATTE FINISHES AVAILABLE. CONSULT FACTORY.
 FINISHES ARE SUBJECT TO AVAILABILITY AND MAY NOT BE APPLICABLE TO ALL FIXTURES OR FOR QUICKSHIP.
 DISPLAYED FINISHES DIFFER BETWEEN SCREENS AS WELL AS PRINTERS AND MAY NOT ACCURATELY DEPICT COLOR.