

PROJECT: _____
TYPE: _____
QUANTITY: _____



PN: 24

APPLICATION	<ul style="list-style-type: none">• WALL MOUNT• INDOOR OR OUTDOOR RATED
DIMENSION	<ul style="list-style-type: none">• 10" DIA (25CM)
ILLUMINATION	<ul style="list-style-type: none">• DIRECT• LED 90CRI• 768 - 1,869 LUMENS
ELECTRICAL	<ul style="list-style-type: none">• 120V, 277V, AND 347V• 10kA SURGE SUPPRESSION STANDARD
DRIVER	<ul style="list-style-type: none">• WALL MOUNT (INTEGRAL)• REMOTE MOUNT (INDOOR OR OUTDOOR)
DIFFUSERS	<ul style="list-style-type: none">• CLEAR OR FROSTED GLASS GLOBE
MOUNTING	<ul style="list-style-type: none">• WALL, MOUNTED OVER A 4"(10CM) J-BOX
CONSTRUCTION	<ul style="list-style-type: none">• ALUMINUM W/ MOUNTING ARM
FINISHES	<ul style="list-style-type: none">• AVAILABLE IN ANODIZED, BRUSHED, AND SEVERAL TMS POWDER COATED FINISHES• CUSTOM RAL FINISHES AVAILABLE
DIMMING	<ul style="list-style-type: none">• 0 - 10V STANDARD DIMMING



SIGN 24™ SIGN



PROJECT: _____
 TYPE: _____
 QUANTITY: _____

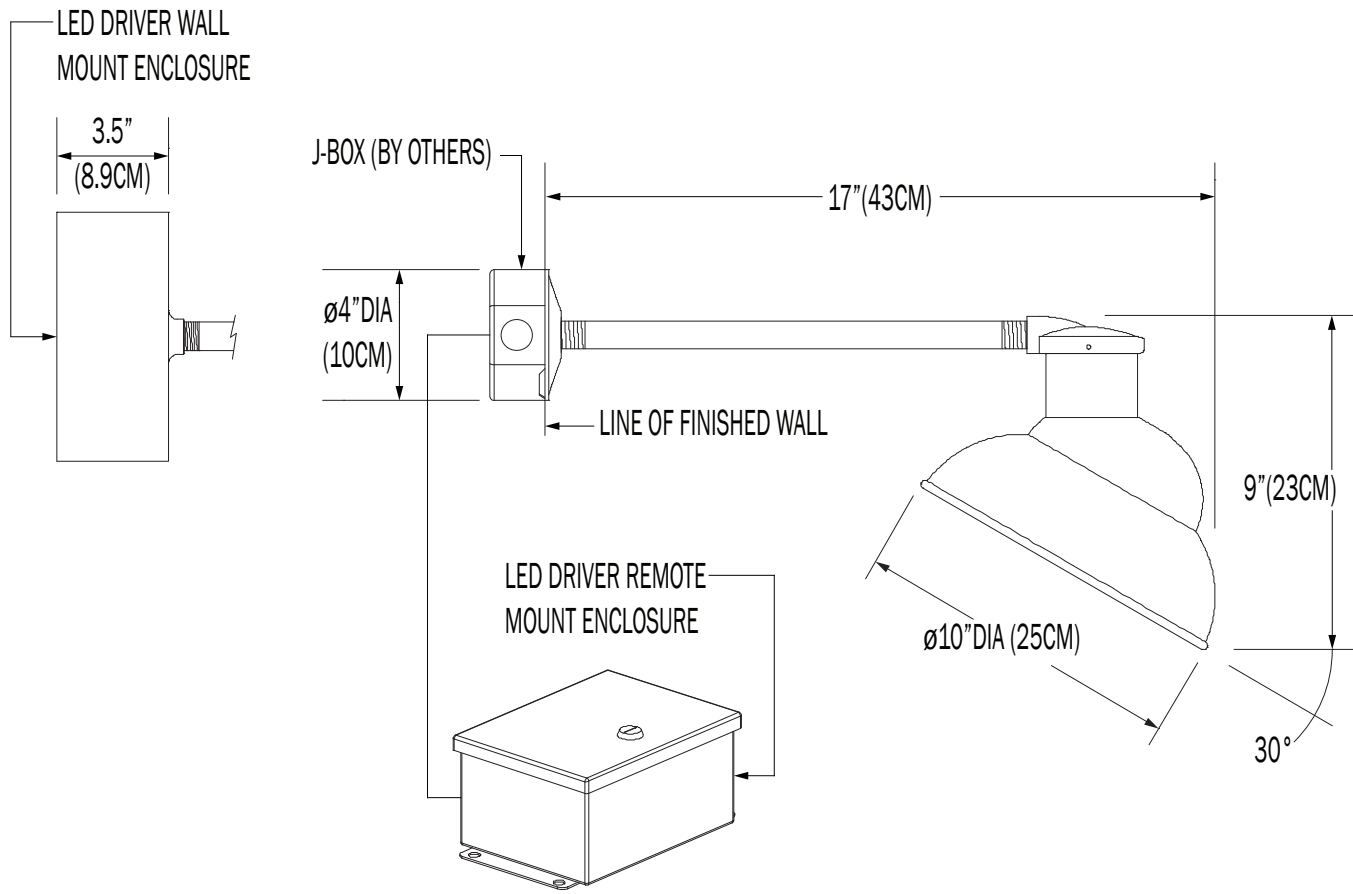
24 - 1 - 2 - 3 - 4 - 5 - 6 - 7 - 8

1.	ILLUMINATION									
	100IN¹		15LED			17LED¹		19LED		
LED (W)	100W		15W			17W PAR38 E26 MED. BASE, 4000L, 60°		19W		
LUMENS	768		1106			---		1869		
2.	---		30K			35K		40K		
LED CCT	NONE		3000K			3500K		4000K		
3.	120			277			347			
VOLTAGE	120V			277V			347V			
4.	---		WM			N1		N4		
DRIVER	NONE		WALL MOUNT (INTEGRAL)			REMOTE INDOOR MOUNT (NEMA 1)		REMOTE OUTDOOR MOUNT (NEMA 4)		
5.	F04	F05	F15	F16	F09	F31	F18	F06	F07	F08
FINISH ²	MATTE WHITE	GLOSS WHITE	MATTE BLACK	GLOSS BLACK	PEWTER	SILVER METALLIC	SATIN ALUMINUM	CLAY BROWN	ZEUS BROWN	MIDNIGHT BLUE
	F10	F11	F13	F14	F21	F22	F24	F25	F26	F28
	FIRE RED	CITRUS ORANGE	FOREST GREEN	SUNSHINE YELLOW	ARCH. BRONZE	HARVEST GOLD	MELTED PLATINUM	MELTED GOLD	MELTED COPPER	DARK CAMPAGNE
	F32	F33	F38	F39	F40	F41	F42	F43	F44	F45
	BRONZE METALLIC	PYRITE BRONZE	MEADOW GREEN	AQUA BLUE	BUBBLE PINK	ELECTRIC PURPLE	FAUX CHROME	FAUX GOLD	FAUX COPPER	COPPER METALLIC
	RAL	BR	AN							
	CUSTOM (SPECIFY RAL)	BRUSHED ALUMINUM	ANODIZED							
6.	---					DIML				
DIMMING	NONE					LED DIMMING (0 - 10V, CURRENT - SINKING)				
7.	---		EM		EMC		EMR		EMCR	
EMERGENCY ³	NONE		INTEGRAL		INTEGRAL COLD PACK		REMOTE		REMOTE COLD PACK	
8.	---					W10				
WIRE GUARD	NONE					10" WIRE GUARD				

1. INCANDESCENT SYSTEMS, AND 17W LED PAR 38 LAMPS, USE A MEDIUM BASE SOCKET (E26)
 2. REFLECTOR INSIDE IS FINISHED WHITE, AND SPECIFIED COLOR ON THE OUTSIDE. TEXTURED FINISHES ARE APPLIED TO ALL AREAS OF THE REFLECTOR
 3. 10W AT 90 MINUTES. EMERGENCY OPTION IS ONLY AVAILABLE IN 120 - 277V SYSTEMS

NOTE: SOME OPTIONS MAY NOT BE COMPATIBLE WITH OTHERS. ALL SPECIFICATIONS ARE SUBJECT TO CHANGE WITHOUT NOTICE. CONTACT TMS LIGHTING FOR UPDATED SPECIFICATIONS.

24



CUSTOM

NOTE: THIS FIXTURE CAN BE CUSTOMIZE. DIMENSION, LAMP TYPES, ENCLOSURE, AND COLOR CAN BE MODIFIED TO SUIT YOUR LIGHTING AND ARCHITECTURAL REQUIREMENTS. CONTACT YOUR LOCAL REPRESENTATIVE FOR MORE DETAILS: <https://tmslighting.com/sales-agents.html>

DIRECT

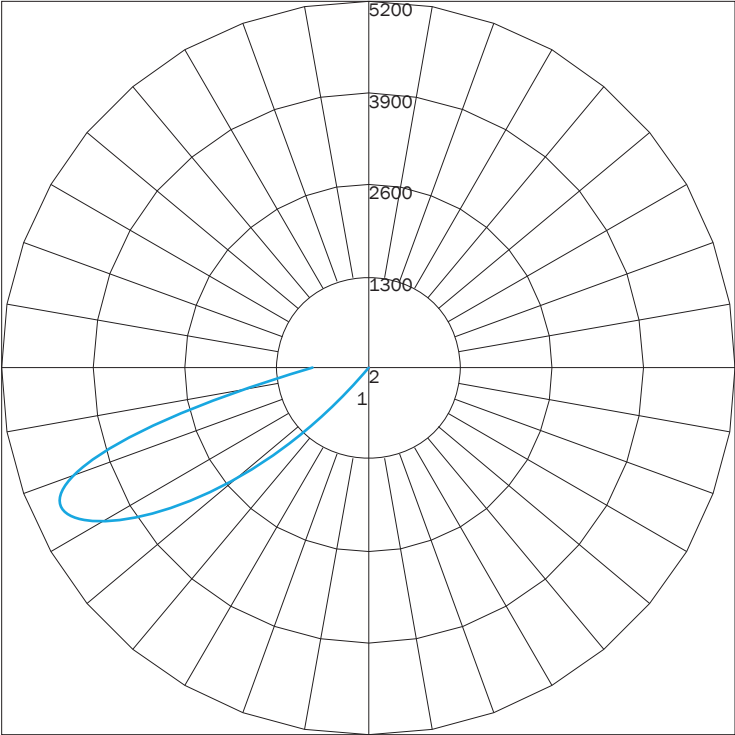
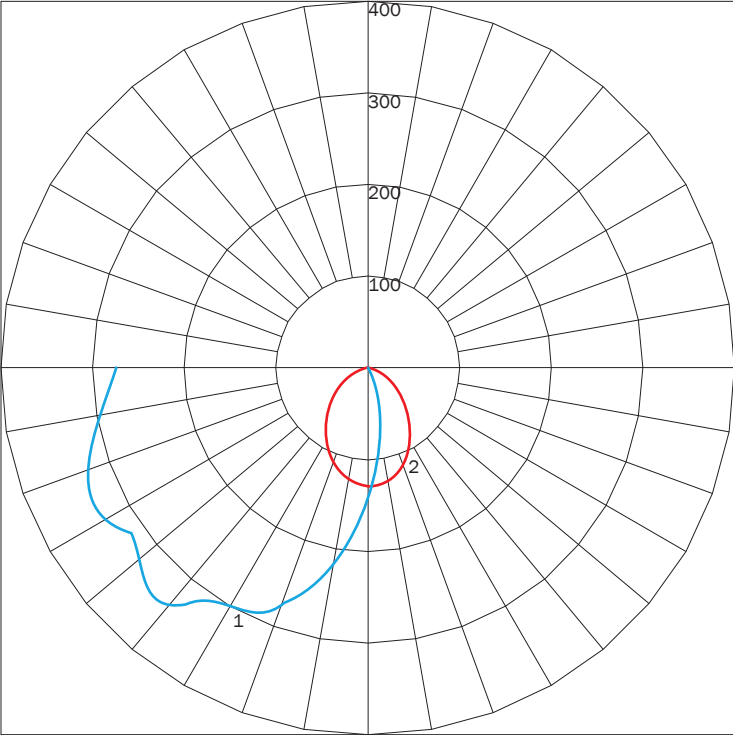
PN	ILLUMINATION	LUMENS	WATTAGE
24	100IN	768	100
	15LED	1106	15
	19LED	1869	19

IES INDOOR REPORT
PHOTOMETRIC FILENAME : 24 100IN PHO.IES

IES INDOOR REPORT
PHOTOMETRIC FILENAME : 24 19LED PHO.IES

POLAR GRAPH

POLAR GRAPH



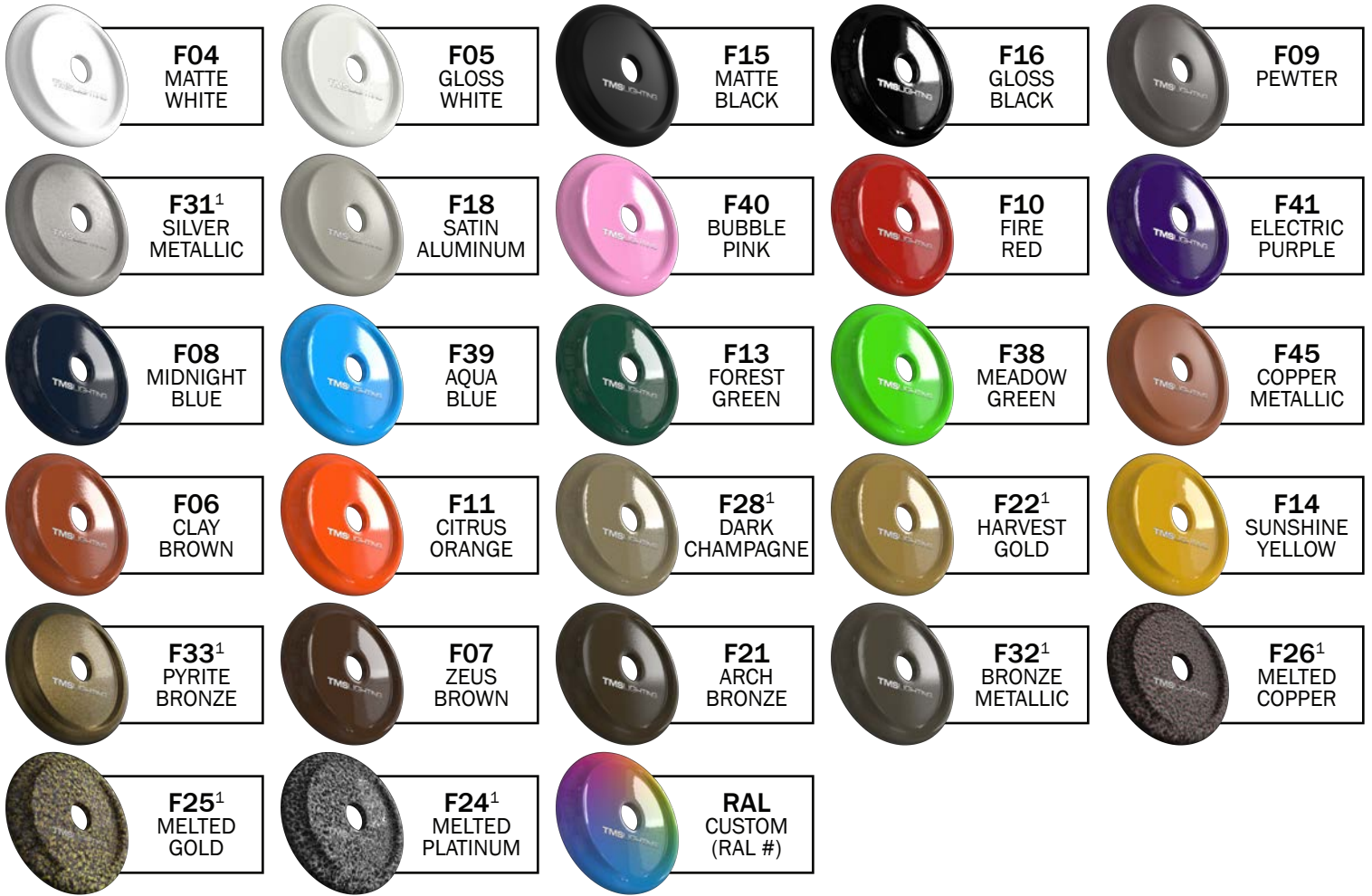
MAXIMUM CANDELA = 346.617 LOCATED AT HORIZONTAL ANGLE = 0, VERTICAL ANGLE = -42.5
 # 1 - VERTICAL PLANE THROUGH HORIZONTAL ANGLES (90 - 270) (THROUGH MAX. CD.)
 # 2 - HORIZONTAL CONE THROUGH VERTICAL ANGLE (15) (THROUGH MAX. CD.)

MAXIMUM CANDELA = 5129.88 LOCATED AT HORIZONTAL ANGLE = 0, VERTICAL ANGLE = -65
 # 1 - VERTICAL PLANE THROUGH HORIZONTAL ANGLES (90 - 270) (THROUGH MAX. CD.)
 # 2 - HORIZONTAL CONE THROUGH VERTICAL ANGLE (15) (THROUGH MAX. CD.)

LUMINAIRE LUMENS 688
TOTAL LUMINAIRE EFFICIENCY 40%
LUMINAIRE EFFICACY RATING 7
TOTAL LUMINAIRE WATTS 100

LUMINAIRE LUMENS 1696
TOTAL LUMINAIRE EFFICIENCY NA
LUMINAIRE EFFICACY RATING 77
TOTAL LUMINAIRE WATTS 22

FINISHES



PREMIUM FINISHES



PREMIUM MATERIALS



1: FINISHES IS APPLIED TO THE INTERIOR AND EXTERIOR OF THE FIXTURE.
 2: MATERIALS ARE CONSISTENT (INTERIOR & EXTERIOR). STEMS AND CANOPIES WILL BE F16 GLOSS BLACK.
 NOTE: ALL FINISHES NOT MARKED WITH NOTATION (1) ARE APPLIED TO THE EXTERIOR ONLY. THE INTERIOR WILL BE F05 GLOSS WHITE.
 MATTE FINISHES AVAILABLE. CONSULT FACTORY.
 FINISHES ARE SUBJECT TO AVAILABILITY AND MAY NOT BE APPLICABLE TO ALL FIXTURES OR FOR QUICKSHIP.
 DISPLAYED FINISHES DIFFER BETWEEN SCREENS AS WELL AS PRINTERS AND MAY NOT ACCURATELY DEPICT COLOR.