

SEAWIND™ PENDANT

PROJECT: _____

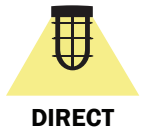
TYPE: _____

QUANTITY: _____



PN: 100SP

APPLICATION	<ul style="list-style-type: none">• PENDANT MOUNT• INDOOR OR OUTDOOR RATED
DIMENSION	<ul style="list-style-type: none">• 10”H X 4”DIA AND 12”H X 5.5”DIA (25CM X 10CM) (30CM X 14CM)
ILLUMINATION	<ul style="list-style-type: none">• DIRECT• LED 90CRI• 1,292 - 1,495 LUMENS
ELECTRICAL	<ul style="list-style-type: none">• 120V, 277V AND 347V• 10KA SURGE SUPPRESSION STANDARD
DIFFUSERS	<ul style="list-style-type: none">• CLEAR OR FROSTED, ELONGATED GLASS GLOBE
MOUNTING	<ul style="list-style-type: none">• 120” (305CM) BLACK OR WHITE DROP CORD W/ AIRCRAFT CABLE• 1” TO 60” (2.5CM TO 152CM) STEM MOUNT
CONSTRUCTION	<ul style="list-style-type: none">• ALUMINUM
FINISHES	<ul style="list-style-type: none">• AVAILABLE IN SEVERAL TMS POWDER COATED FINISHES• CUSTOM RAL FINISHES AVAILABLE
DIMMING	<ul style="list-style-type: none">• 0 - 10V STANDARD DIMMING
WEIGHT	<ul style="list-style-type: none">• 5 LBS MAXIMUM



DIRECT

TMSLIGHTING



SEAWIND™ PENDANT



PROJECT: _____

TYPE: _____

QUANTITY: _____

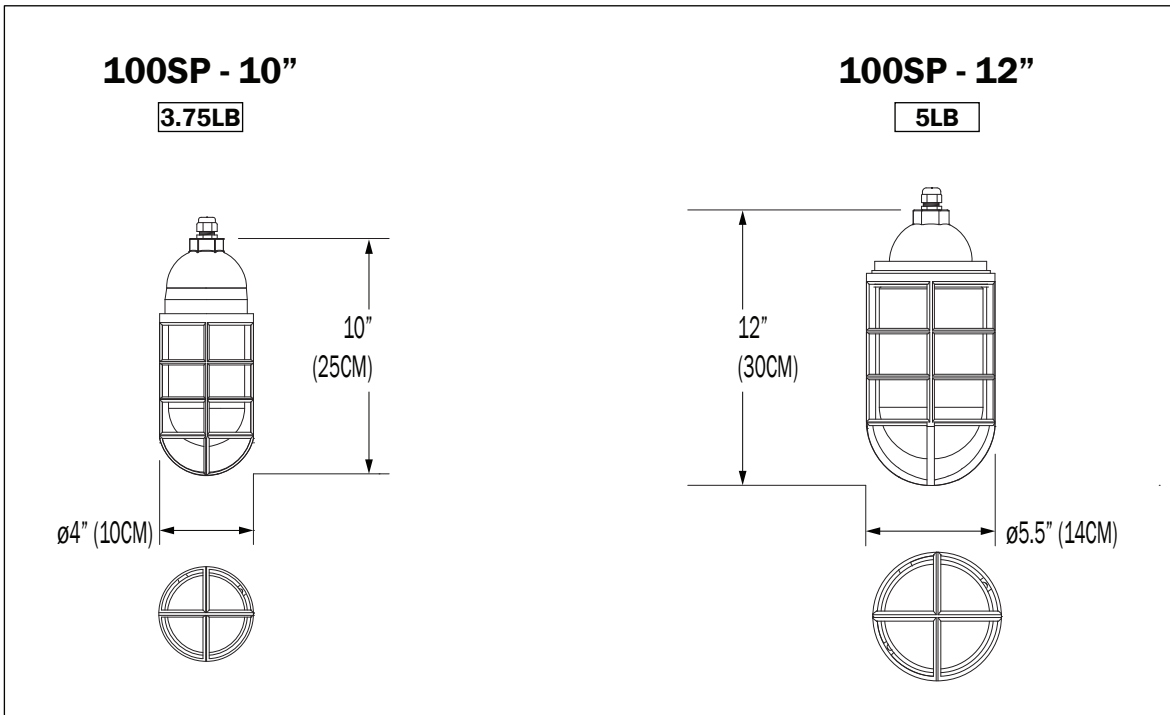
100SP

1 2 3 4 5 6 7 8 9 10 11 12

1.	I					O				
APPLICATION	INDOOR					OUTDOOR				
2.	10					12				
SIZE	10"H X 4"DIA. (25CM X 10CM)					12"H X 5.5"DIA (30CM X 14CM)				
3.										
ILLUMINATION ¹	100IN			15LED		150IN			15LED	
LED (W)	MED BASE (MAX 100W INC)			15W		MED BASE (MAX 150W INC)			15W	
LUMENS	1292			1495		---			---	
4.	CRD	C01	C06	C12	C18	C24	C36	C48	C60	
MOUNTING	120"(305CM) DROP CORD	1"(2.5CM) STEM MOUNT	6"(15CM) STEM MOUNT	12"(31CM) STEM MOUNT	18"(46CM) STEM MOUNT	24"(61CM) STEM MOUNT	36"(91CM) STEM MOUNT	48"(122CM) STEM MOUNT	60"(152CM) STEM MOUNT	
5.	---			BC			WC			
CORD	NONE			BLACK DROP CORD			WHITE DROP CORD			
6.	---			30K		35K		40K		
LED CCT	NONE			3000		3500		4000		
7.	120			277			347			
VOLTAGE	120V			277V			347V			
8.	F04	F05	F08	F09	F10	F13	F14	F15	F16	F18
FINISH	MATTE WHITE	GLOSS WHITE	MIDNIGHT BLUE	PEWTER	FIRE RED	FOREST GREEN	SUNSHINE YELLOW	MATTE BLACK	GLOSS BLACK	SATIN ALUMINUM
	F21	F24	F25	F26	F31	F32	F33	RAL		
	ARCH BRONZE	MELTED PLATINUM	MELTED GOLD	MELTED COPPER	SILVER METALLIC	BRONZE METALLIC	PYRITE BRONZE	CUSTOM (SPECIFY)		
9.	G1			G2			G9			
GLOBE/LENS	CLEAR, ELONGATED GLOBE			FROSTED GLOBE			CLEAR, ELONGATED, LARGE GLOBE			
10.	---					DIML				
DIMMING ²	NONE					LED DIMMING (0 - 10V, CURRENT - SINKING)				
11.	---		EM		EMC		EMR		EMCR	
EMERGENCY ³	NONE		INTEGRAL		INTEGRAL COLD PACK		REMOTE		REMOTE COLD PACK	
12.	---			BL			ACC			
MOUNTING ⁴ ACCESSORIES	NONE			CEILING SLOPE ADAPTER FOR STEM MOUNT (30°)			AIRCRAFT CABLE FOR DROP CORDS			

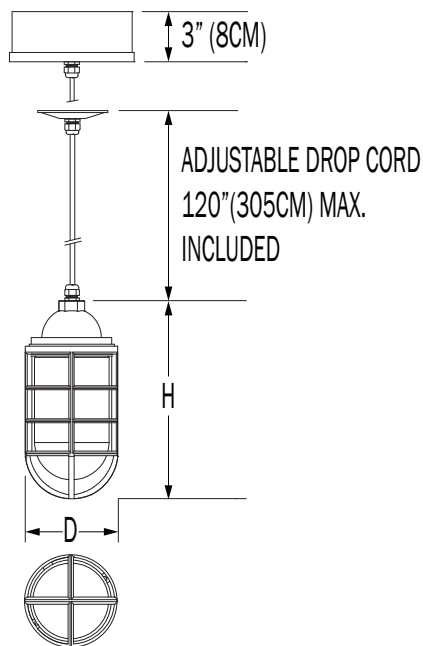
1. INCANDESCENT AND METAL HALIDE SYSTEMS USE A MEDIUM BASE SOCKET (E26)
 2. DIMMING SYSTEM IS NOT AVAILABLE FOR OUTDOOR CF APPLICATIONS.
 3. 10W AT 90 MINUTES. EMERGENCY OPTION IS ONLY AVAILABLE IN 120 - 277V SYSTEMS
 4. MAY REQUIRE TO COMPLY WITH LOCAL SEISMIC/EARTHQUAKE CODE

NOTE: SOME OPTIONS MAY NOT BE COMPATIBLE WITH OTHERS. ALL SPECIFICATIONS ARE SUBJECT TO CHANGE WITHOUT NOTICE. CONTACT TMS LIGHTING FOR UPDATED SPECIFICATIONS.



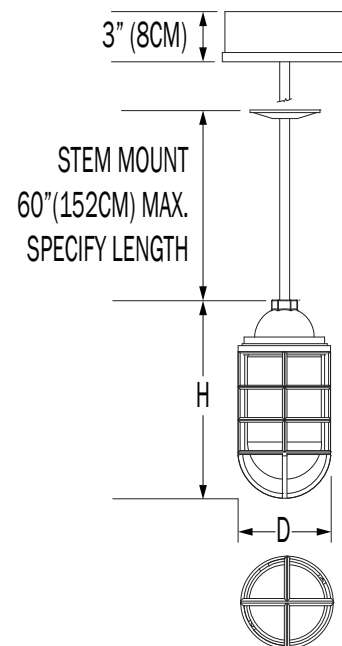
DROP CORD MOUNT

OPTIONAL LED DRIVER OR
CF/MH BALLAST



STEM MOUNT

OPTIONAL LED DRIVER OR
CF/MH BALLAST



CUSTOM

NOTE: THIS FIXTURE CAN BE CUSTOMIZE. DIMENSION, LAMP TYPES, ENCLOSURE, AND COLOR CAN BE MODIFIED TO SUIT YOUR LIGHTING AND ARCHITECTURAL REQUIREMENTS. CONTACT YOUR LOCAL REPRESENTATIVE FOR MORE DETAILS: <https://tmslighting.com/sales-agents.html>

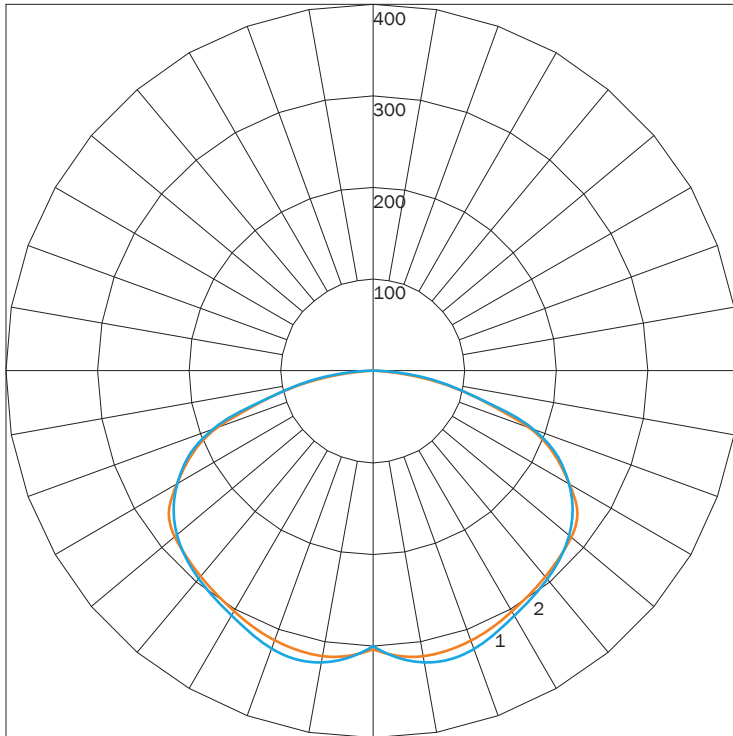
DIRECT

PN	SIZE (DIA)	ILLUMINATION	LUMENS	WATTAGE
100SP	10	100IN	1292	100
		15LED	1495	15

IES INDOOR REPORT

PHOTOMETRIC FILENAME : 100SP 10 100IN.IES

POLAR GRAPH



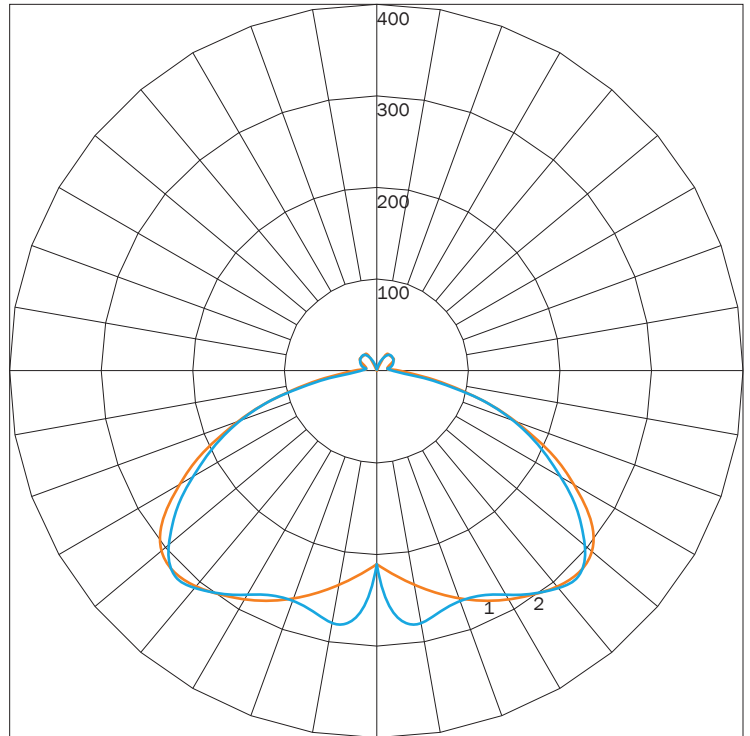
MAXIMUM CANDELA = 347.825 LOCATED AT HORIZONTAL ANGLE = 22.5, VERTICAL ANGLE = 5
 # 1 - VERTICAL PLANE THROUGH HORIZONTAL ANGLES (90 - 270)
 # 2 - VERTICAL PLANE THROUGH HORIZONTAL ANGLES (0 - 180)

LUMINAIRE LUMENS	1292
TOTAL LUMINAIRE EFFICIENCY	76%
LUMINAIRE EFFICACY RATING	13
TOTAL LUMINAIRE WATTS	100

IES INDOOR REPORT

PHOTOMETRIC FILENAME : 100SP 10 15LED.IES

POLAR GRAPH



MAXIMUM CANDELA = 381.37 LOCATED AT HORIZONTAL ANGLE = 135, VERTICAL ANGLE = 15
 # 1 - VERTICAL PLANE THROUGH HORIZONTAL ANGLES (90 - 270)
 # 2 - VERTICAL PLANE THROUGH HORIZONTAL ANGLES (0 - 180)

LUMINAIRE LUMENS	1495
TOTAL LUMINAIRE EFFICIENCY	NA
LUMINAIRE EFFICACY RATING	87
TOTAL LUMINAIRE WATTS	17

AVAILABLE FINISHES



F04
MATTE
WHITE



F05
GLOSS
WHITE



F08
MIDNIGHT
BLUE



F09
PEWTER



F10
FIRE
RED



F13
FOREST
GREEN



F14
SUNSHINE
YELLOW



F15
MATTE
BLACK



F16
GLOSS
BLACK



F18
SATIN
ALUMINUM



F21
ARCH
BRONZE



F24
MELTED
PLATINUM



F25
MELTED
GOLD



F26
MELTED
COPPER



F31
SILVER
METALLIC



F32
METALLIC
BRONZE



F33
PYRITE
BRONZE



RAL
CUSTOM
COLOR
(RAL #)

NOTE: DISPLAYED FINISHES DIFFER BETWEEN SCREENS AS WELL AS PRINTERS AND MAY NOT ACCURATELY DEPICT COLOR.