

PROJECT: _____

TYPE: _____

QUANTITY: _____



PN: SWW1

| | |
|---------------------|---|
| APPLICATION | <ul style="list-style-type: none">• WALL MOUNT• INDOOR OR OUTDOOR RATED |
| DIMENSION | <ul style="list-style-type: none">• 4.125" DIA (10.8CM) |
| ILLUMINATION | <ul style="list-style-type: none">• DIFFUSE• LED 90CRI• 1,495 - 2,029 LUMENS |
| ELECTRICAL | <ul style="list-style-type: none">• 120V, 277V AND 347V• 10kA SURGE SUPPRESSION STANDARD |
| DIFFUSERS | <ul style="list-style-type: none">• CLEAR OR FROSTED, ELONGATED, GLASS GLOBE |
| MOUNTING | <ul style="list-style-type: none">• WALL, MOUNTED TO A 4"(10CM) J-BOX |
| CONSTRUCTION | <ul style="list-style-type: none">• ALUMINUM AND TEMPERED GLASS |
| FINISHES | <ul style="list-style-type: none">• NATURAL AND AVAILABLE IN SEVERAL TMS POWDER COATED FINISHES• CUSTOM RAL FINISHES AVAILABLE |
| WEIGHT | <ul style="list-style-type: none">• 5 LB MAXIMUM |



DIFFUSE

SEAWIND™ WALL



PROJECT: _____

TYPE: _____

QUANTITY: _____

SWW1

1 2 3 4 5 6

| 1. | 150IN | 15LED |
|--------------|----------|---------|
| ILLUMINATION | 150W INC | 15W LED |
| LED (W) | 150W | 15W |
| LUMENS | 2029 | 1430 |

| 2. | --- | 30K | 35K | 40K |
|---------|------|-------|-------|-------|
| LED CCT | NONE | 3000K | 3500K | 4000K |

| 3. | 120 | 277 | 347 |
|---------|------|------|------|
| VOLTAGE | 120V | 277V | 347V |

| 4. | F04 | F05 | F15 | F16 | F09 | F31 | F18 | F06 | F07 | F08 |
|----------------------|----------------------|---------------|--------------|-----------------|--------------|-----------------|-----------------|-------------|---------------|-----------------|
| FINISH | MATTE WHITE | GLOSS WHITE | MATTE BLACK | GLOSS BLACK | PEWTER | SILVER METALLIC | SATIN ALUMINUM | CLAY BROWN | ZEUS BROWN | MIDNIGHT BLUE |
| | F10 | F11 | F13 | F14 | F21 | F22 | F24 | F25 | F26 | F28 |
| | FIRE RED | CITRUS ORANGE | FOREST GREEN | SUNSHINE YELLOW | ARCH. BRONZE | HARVEST GOLD | MELTED PLATINUM | MELTED GOLD | MELTED COPPER | DARK CAMPAGNE |
| | F32 | F33 | F38 | F39 | F40 | F41 | F42 | F43 | F44 | F45 |
| | BRONZE METALLIC | PYRITE BRONZE | MEADOW GREEN | AQUA BLUE | BUBBLE PINK | ELECTRIC PURPLE | FAUX CHROME | FAUX GOLD | FAUX COPPER | COPPER METALLIC |
| | RAL | NAT | | | | | | | | |
| CUSTOM (SPECIFY RAL) | NATURAL (UNFINISHED) | | | | | | | | | |

| 5. | G1 | G2 |
|------------|------------------------|---------------|
| GLOBE/LENS | CLEAR, ELONGATED GLOBE | FROSTED GLOBE |

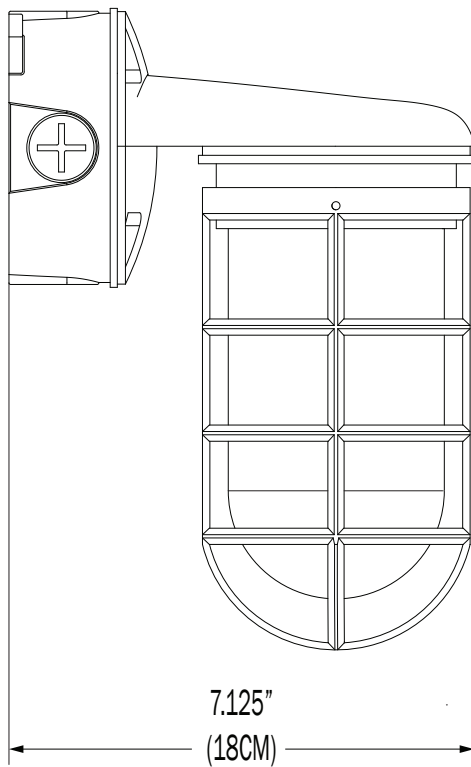
| 6. | --- | EMR | EMCR |
|------------------------|------|--------|------------------|
| EMERGENCY ¹ | NONE | REMOTE | REMOTE COLD PACK |

1. 10W AT 90 MINUTES. EMERGENCY OPTION IS ONLY AVAILABLE IN 120 - 277 SYSTEMS

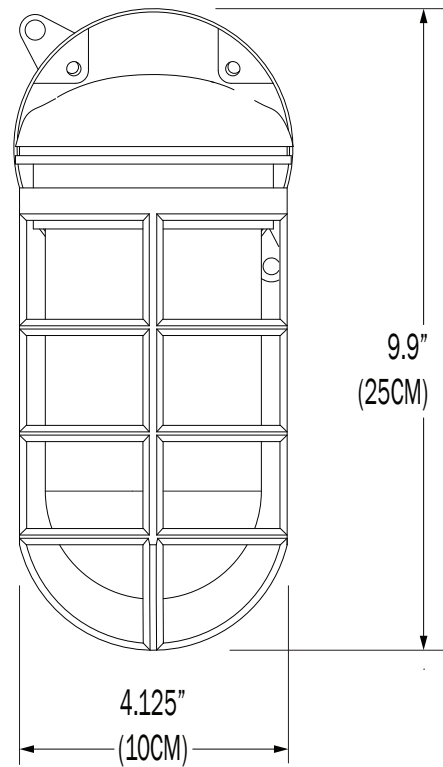
NOTE: SOME OPTIONS MAY NOT BE COMPATIBLE WITH OTHERS. ALL SPECIFICATIONS ARE SUBJECT TO CHANGE WITHOUT NOTICE. CONTACT TMS LIGHTING FOR UPDATED SPECIFICATIONS.

SWW1

PROFILE



FRONT



CUSTOM

NOTE: THIS FIXTURE CAN BE CUSTOMIZE. DIMENSION, LAMP TYPES, ENCLOSURE, AND COLOR CAN BE MODIFIED TO SUIT YOUR LIGHTING AND ARCHITECTURAL REQUIREMENTS. CONTACT YOUR LOCAL REPRESENTATIVE FOR MORE DETAILS: <https://tmslighting.com/sales-agents.html>

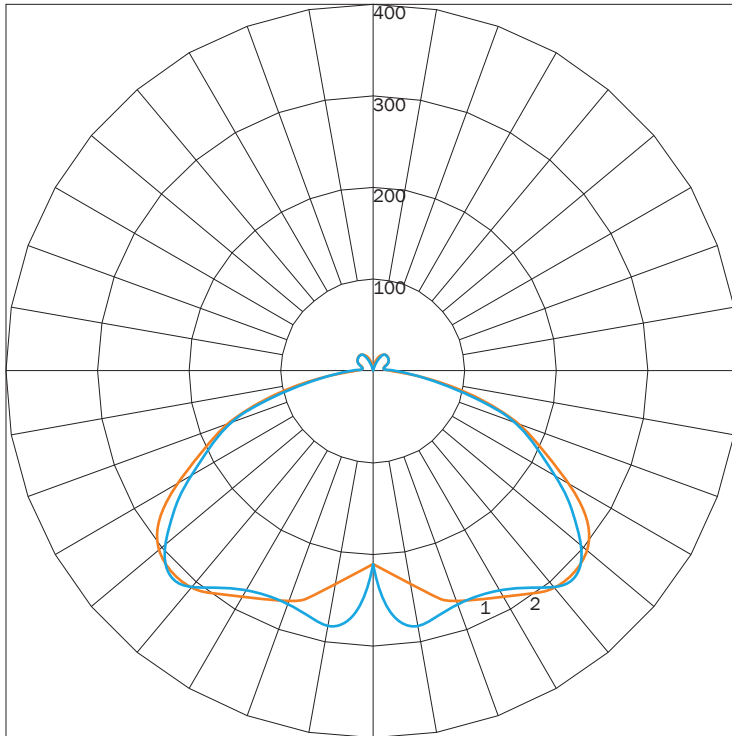
DIFFUSE

| PN | ILLUMINATION | LUMENS | WATTAGE |
|------|--------------|--------|---------|
| SWW1 | 15LED | 1495 | 15 |
| | 150IN | 2029 | 150 |

IES INDOOR REPORT

PHOTOMETRIC FILENAME : SWW1 15LED.IES

POLAR GRAPH



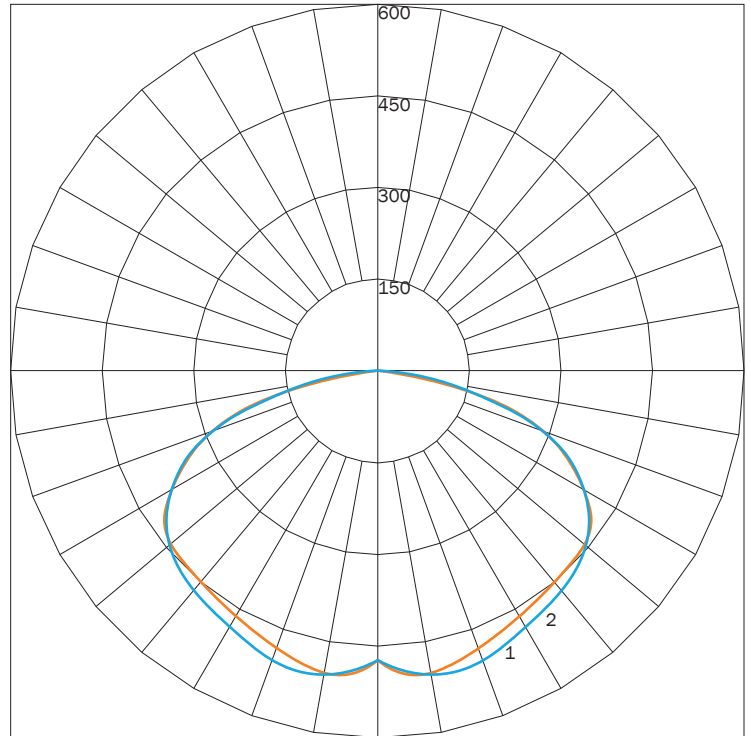
MAXIMUM CANDELA = 381.37 LOCATED AT HORIZONTAL ANGLE = 135, VERTICAL ANGLE = 15
 # 1 - VERTICAL PLANE THROUGH HORIZONTAL ANGLES (90 - 270)
 # 2 - VERTICAL PLANE THROUGH HORIZONTAL ANGLES (0 - 180)

LUMINAIRE LUMENS 1495
TOTAL LUMINAIRE EFFICIENCY NA
LUMINAIRE EFFICACY RATING 88
TOTAL LUMINAIRE WATTS 17

IES INDOOR REPORT

PHOTOMETRIC FILENAME : SWW1 150IN.IES

POLAR GRAPH



MAXIMUM CANDELA = 546.289 LOCATED AT HORIZONTAL ANGLE = 22.5, VERTICAL ANGLE = 5
 # 1 - VERTICAL PLANE THROUGH HORIZONTAL ANGLES (90 - 270)
 # 2 - VERTICAL PLANE THROUGH HORIZONTAL ANGLES (0 - 180)

LUMINAIRE LUMENS 2029
TOTAL LUMINAIRE EFFICIENCY NA
LUMINAIRE EFFICACY RATING 14
TOTAL LUMINAIRE WATTS 150

FINISHES



PREMIUM FINISHES



PREMIUM MATERIALS

NAT^{1 2}
NATURAL
(UNFINISHED)

1: FINISHES IS APPLIED TO THE INTERIOR AND EXTERIOR OF THE FIXTURE.
 2: MATERIALS ARE CONSISTENT (INTERIOR & EXTERIOR). STEMS AND CANOPIES WILL BE F16 GLOSS BLACK.
 NOTE: ALL FINISHES NOT MARKED WITH NOTATION (1) ARE APPLIED TO THE EXTERIOR ONLY. THE INTERIOR WILL BE F05 GLOSS WHITE.
 MATTE FINISHES AVAILABLE. CONSULT FACTORY.
 FINISHES ARE SUBJECT TO AVAILABILITY AND MAY NOT BE APPLICABLE TO ALL FIXTURES OR FOR QUICKSHIP.
 DISPLAYED FINISHES DIFFER BETWEEN SCREENS AS WELL AS PRINTERS AND MAY NOT ACCURATELY DEPICT COLOR.