

SATURN CB™ PENDANT

PROJECT: _____

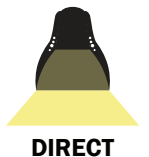
TYPE: _____

QUANTITY: _____



PN: 514CB

APPLICATION	<ul style="list-style-type: none">• PENDANT MOUNT• INDOOR RATED
DIMENSION	<ul style="list-style-type: none">• 12.375" (31.4CM)
ILLUMINATION	<ul style="list-style-type: none">• DIRECT• LED 90CRI• 1,199 - 1,968 LUMENS
ELECTRICAL	<ul style="list-style-type: none">• 120V, 277V AND 347V• 10kA SURGE SUPPRESSION STANDARD
DIFFUSERS	<ul style="list-style-type: none">• HIGH EFFICIENCY ACRYLIC
MOUNTING	<ul style="list-style-type: none">• 120" (305CM) BLACK OR WHITE DROP CORD W/ AIRCRAFT CABLE (OPTIONAL)• 1" TO 60" (2.5CM TO 152CM) STEM MOUNT
CONSTRUCTION	<ul style="list-style-type: none">• ALUMINUM
FINISHES	<ul style="list-style-type: none">• AVAILABLE IN SEVERAL TMS POWDER COATED FINISHES• CUSTOM RAL FINISHES AVAILABLE
DIMMING	<ul style="list-style-type: none">• 0 - 10V STANDARD DIMMING
WEIGHT	<ul style="list-style-type: none">• 6 LBS MAXIMUM



SATURN CB™ PENDANT



PROJECT: _____

TYPE: _____

QUANTITY: _____

514CB

1 2 3 4 5 6 7 8 9 10

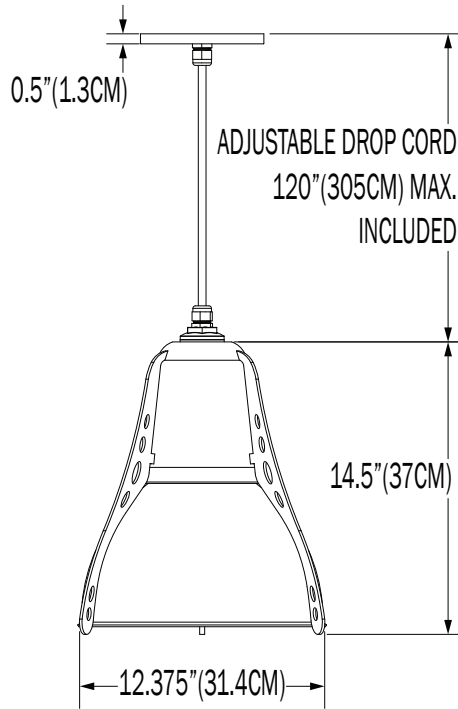
1.	ILLUMINATION									
	15LED					19LED				
LED (W)	15W					19W				
LUMENS	1199					1968				
2.	CRD	C06	C12	C18	C24	C36	C48	C60		
MOUNTING	120"(305CM) DROP CORD	6"(15CM) STEM MOUNT	12"(31CM) STEM MOUNT	18"(46CM) STEM MOUNT	24"(61CM) STEM MOUNT	36"(91CM) STEM MOUNT	48"(122CM) STEM MOUNT	60"(152CM) STEM MOUNT		
3.	30K			35K			40K			
LED CCT	3000			3500			4000			
4.	120			277			347			
VOLTAGE	120V			277V			347V			
5.	---			BC			WC			
CORD	NONE			BLACK DROP CORD W/ AIRCRAFT CABLES			WHITE DROP CORD W/ AIRCRAFT CABLES			
6.	F04	F05	F09	F15	F16	F18	F24	F25	F26	F31
FINISH	MATTE WHITE	GLOSS WHITE	PEWTER	MATTE BLACK	GLOSS BLACK	SATIN ALLUMINIUM	MELTED PLATINUM	MELTED GOLD	MELTED COPPER	SILVER METALLIC
	F33	RAL								
	PYRITE BRONZE	CUSTOM (SPECIFY)								
7.	F04	F05	F09	F15	F16	F18	F24	F25	F26	F31
ACCENT FINISH	MATTE WHITE	GLOSS WHITE	PEWTER	MATTE BLACK	GLOSS BLACK	SATIN ALLUMINIUM	MELTED PLATINUM	MELTED GOLD	MELTED COPPER	SILVER METALLIC
	F33	RAL								
	PYRITE BRONZE	CUSTOM (SPECIFY)								
8.	---					DIML				
DIMMING	NONE					LED DIMMING (0 - 10V, CURRENT - SINKING)				
9.	---					EMR				
EMERGENCY ¹	NONE					REMOTE				
10.	BL					ACC				
MOUNTING ² ACCESSORIES	CEILING SLOPE ADAPTER FOR STEM MOUNT (30°)					AIRCRAFT CABLE FOR DROP CORDS				

1. 10W AT 90 MINUTES. EMERGENCY OPTION IS ONLY AVAILABLE IN 120 - 277V SYSTEMS
 2. MAY REQUIRE TO COMPLY WITH LOCAL SEISMIC/EARTHQUAKE CODE

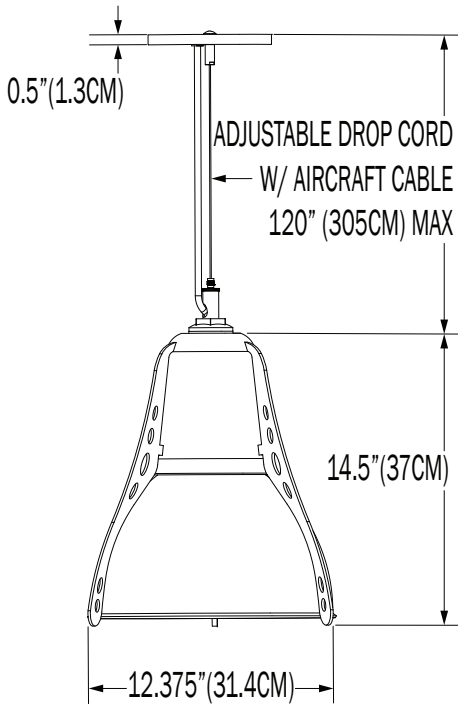
NOTE: SOME OPTIONS MAY NOT BE COMPATIBLE WITH OTHERS. ALL SPECIFICATIONS ARE SUBJECT TO CHANGE WITHOUT NOTICE. CONTACT TMS LIGHTING FOR UPDATED SPECIFICATIONS.

SATURN CB™ PENDANT

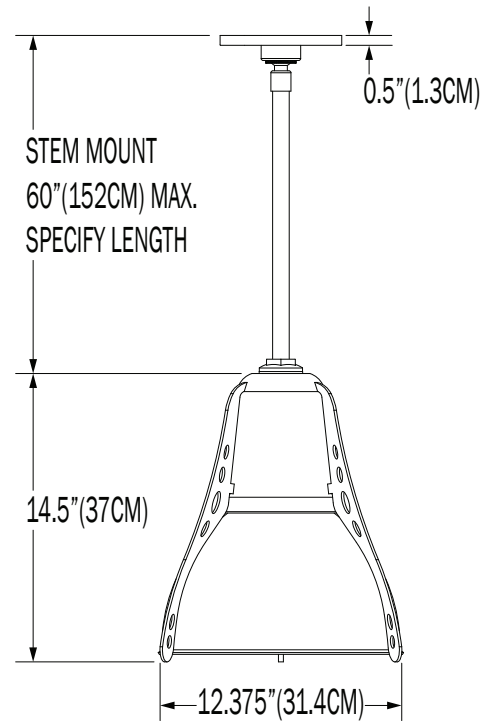
DROP CORD MOUNT



DROP CORD MOUNT W/ AIRCRAFT CABLE



STEM MOUNT



CUSTOM

NOTE: THIS FIXTURE CAN BE CUSTOMIZE. DIMENSION, LAMP TYPES, ENCLOSURE, AND COLOR CAN BE MODIFIED TO SUIT YOUR LIGHTING AND ARCHITECTURAL REQUIREMENTS. CONTACT YOUR LOCAL REPRESENTATIVE FOR MORE DETAILS: <https://tmslighting.com/sales-agents.html>

TMSLIGHTING

SATURN CB™ PENDANT

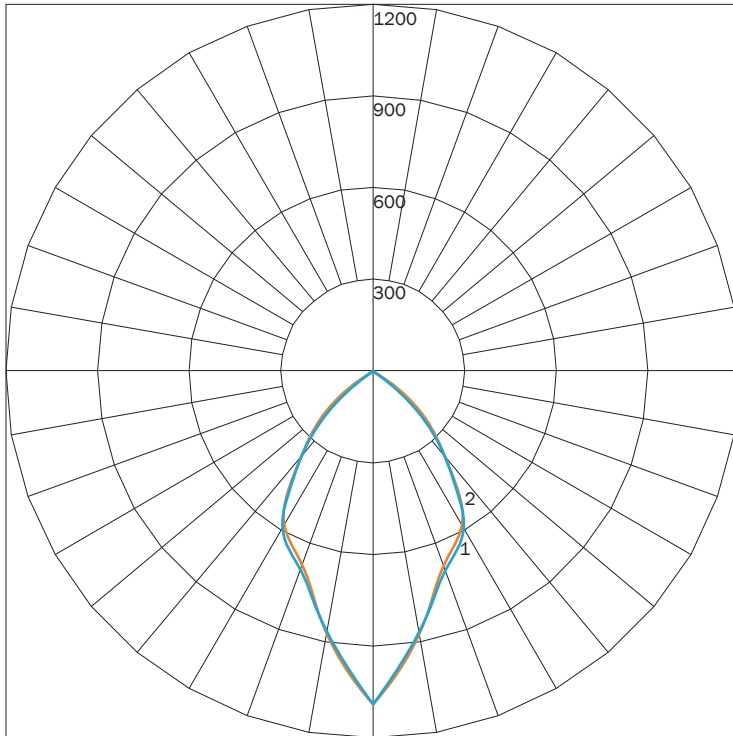
DIRECT

PN	ILLUMINATION	LUMENS	WATTAGE
514CB	15LED	1199	15
	19LED	1968	19

IES INDOOR REPORT

PHOTOMETRIC FILENAME : 514CB 15LED.IES

POLAR GRAPH



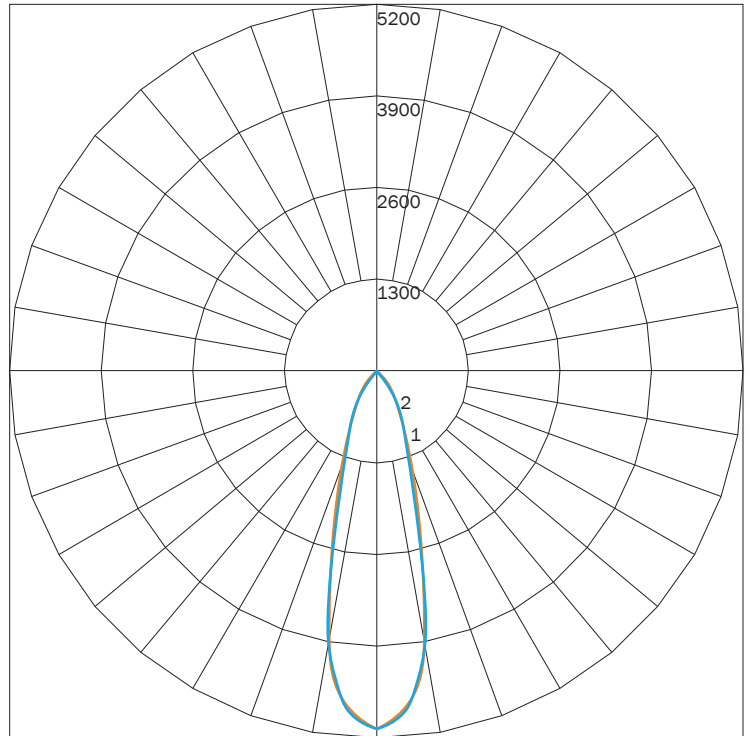
MAXIMUM CANDELA = 1091.03 LOCATED AT HORIZONTAL ANGLE = 0, VERTICAL ANGLE = 0
 # 1 - VERTICAL PLANE THROUGH HORIZONTAL ANGLES (90 - 270)
 # 2 - VERTICAL PLANE THROUGH HORIZONTAL ANGLES (0 - 180)

LUMINAIRE LUMENS 1199
TOTAL LUMINAIRE EFFICIENCY NA
LUMINAIRE EFFICACY RATING 70
TOTAL LUMINAIRE WATTS 17

IES INDOOR REPORT

PHOTOMETRIC FILENAME : 514CB 19LED.IES

POLAR GRAPH



MAXIMUM CANDELA = 5069.01 LOCATED AT HORIZONTAL ANGLE = 0, VERTICAL ANGLE = 0
 # 1 - VERTICAL PLANE THROUGH HORIZONTAL ANGLES (90 - 270)
 # 2 - VERTICAL PLANE THROUGH HORIZONTAL ANGLES (0 - 180)

LUMINAIRE LUMENS 1968
TOTAL LUMINAIRE EFFICIENCY NA
LUMINAIRE EFFICACY RATING 92
TOTAL LUMINAIRE WATTS 22

AVAILABLE FINISHES



F04
MATTE
WHITE



F05
GLOSS
WHITE



F09
PEWTER



F15
MATTE
BLACK



F16
GLOSS
BLACK



F18
SATIN
ALUMINUM



F24
MELTED
PLATINUM



F25
MELTED
GOLD



F26
MELTED
COPPER



F31
SILVER
METALLIC



F33
PYRITE
BRONZE



RAL
CUSTOM
COLOR
(RAL #)

NOTE: DISPLAYED FINISHES DIFFER BETWEEN SCREENS AS WELL AS PRINTERS AND MAY NOT ACCURATELY DEPICT COLOR.