

# SAPHIR™ PENDANT

PROJECT: \_\_\_\_\_

TYPE: \_\_\_\_\_

QUANTITY: \_\_\_\_\_



## PN: 3490SA

<b>APPLICATION</b>	<ul style="list-style-type: none"><li>• PENDANT MOUNT</li><li>• INDOOR RATED</li></ul>
<b>DIMENSION</b>	<ul style="list-style-type: none"><li>• 25"W X 23"H (64CM X 58CM)</li></ul>
<b>ILLUMINATION</b>	<ul style="list-style-type: none"><li>• DIRECT</li><li>• LED 90CRI</li><li>• 1,008 - 1,073 LUMENS</li></ul>
<b>ELECTRICAL</b>	<ul style="list-style-type: none"><li>• 120 - 277V (347V CONSULT FACTORY)</li><li>• 10kA SURGE SUPPRESSION STANDARD</li></ul>
<b>DIFFUSERS</b>	<ul style="list-style-type: none"><li>• HIGH EFFICIENCY ACRYLIC</li></ul>
<b>MOUNTING</b>	<ul style="list-style-type: none"><li>• 120" (304CM) BLACK OR WHITE DROP CORD W/ AIRCRAFT CABLE</li></ul>
<b>CONSTRUCTION</b>	<ul style="list-style-type: none"><li>• CUT ACRYLIC AND STEEL</li></ul>
<b>FINISHES</b>	<ul style="list-style-type: none"><li>• AVAILABLE ANODIZED, AND IN SEVERAL TMS PLATED, AND POWDER COATED FINISHES</li><li>• CUSTOM RAL FINISHES AVAILABLE</li></ul>
<b>DIMMING</b>	<ul style="list-style-type: none"><li>• 0 - 10V STANDARD DIMMING</li></ul>
<b>WEIGHT</b>	<ul style="list-style-type: none"><li>• 25 LBS MAXIMUM</li></ul>



# SAPHIR™ PENDANT



PROJECT: \_\_\_\_\_

TYPE: \_\_\_\_\_

QUANTITY: \_\_\_\_\_

**3490SA**

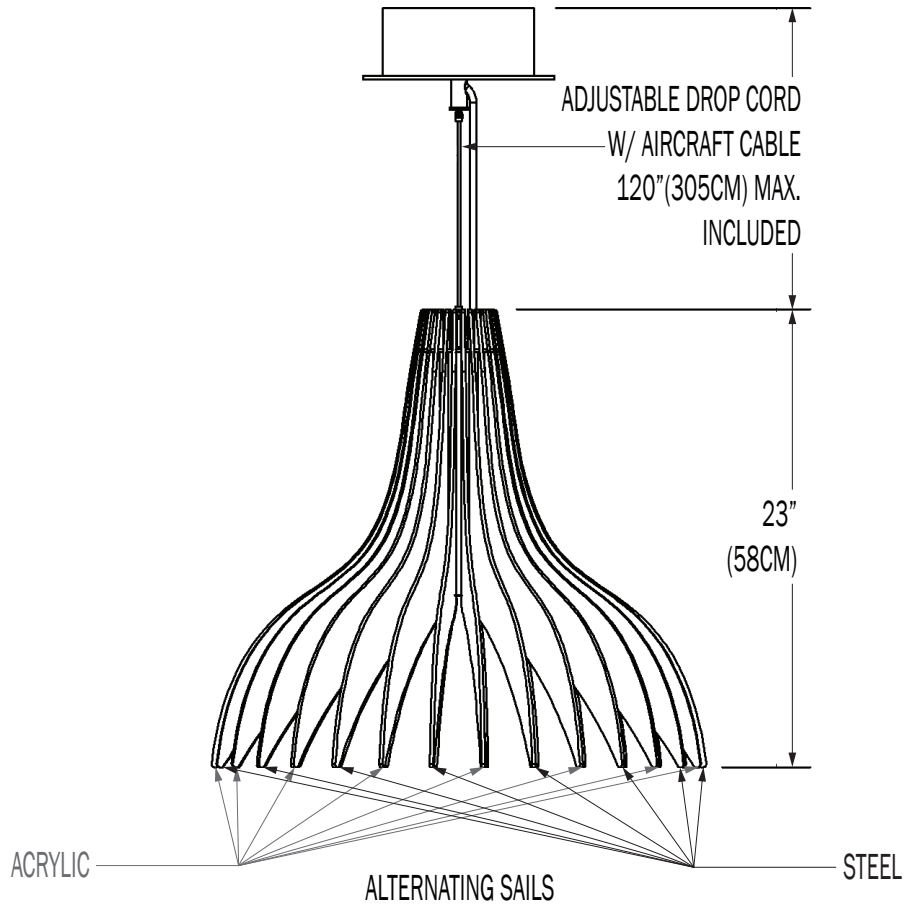
1 2 3 4 5 6 7 8 9

<b>1.</b>	<b>ILLUMINATION</b>									
	<b>14LED</b>									
LED (W)	14W									
LUMENS	<b>CL</b>					<b>OP</b>				
	1073					1008				
<b>2.</b>	<b>CRD</b>									
MOUNTING	120" (305CM) DROP CORD									
<b>3.</b>	<b>30K</b>			<b>35K</b>			<b>40K</b>			
LED CCT	3000K			3500K			4000K			
<b>4.</b>	<b>120</b>					<b>277</b>				
VOLTAGE	120V					277V				
<b>5.</b>	<b>BC</b>					<b>WC</b>				
CORD	BLACK DROP CORD					WHITE DROP CORD				
<b>6.</b>	<b>AN</b>	<b>SN</b>	<b>SB</b>	<b>CH</b>	<b>BC</b>	<b>AC</b>	<b>AB</b>	<b>PB</b>	<b>F04</b>	<b>F05</b>
FINISH	ANODIZED	SATIN NICKEL	SATIN BRASS	CHROME	BLACK CHROME	ANTIQUÉ COPPER	ANTIQUÉ BRASS	POLISHED BRASS	MATTE WHITE	GLOSS WHITE
	<b>F08</b>	<b>F09</b>	<b>F10</b>	<b>F13</b>	<b>F14</b>	<b>F15</b>	<b>F16</b>	<b>F18</b>	<b>F21</b>	<b>F24</b>
	MIDNIGHT BLUE	PEWTER	FIRE RED	FOREST GREEN	SUNSHINE YELLOW	MATTE BLACK	GLOSS BLACK	SATIN ALUMINUM	ARCH BRONZE	MELTED PLATINUM
	<b>F25</b>	<b>F26</b>	<b>F31</b>	<b>F32</b>	<b>F33</b>	<b>F45</b>	<b>RAL</b>			
	MELTED GOLD	MELTED COPPER	SILVER METALLIC	BRONZE METALLIC	PYRITE BRONZE	COPPER METALLIC	CUSTOM (SPECIFY)			
<b>7.</b>	<b>OP</b>					<b>SD</b>				
DIFFUSER	OPAL - WHITE ACRYLIC					SAND - BLASTED WHITE				
<b>8.</b>	---					<b>DIML</b>				
DIMMING	NONE					LED DIMMING (1 - 10V, CURRENT - SINKING)				
<b>9.</b>	<b>ACC</b>									
MOUNTING <sup>1</sup> ACCESSORIES	AIRCRAFT CABLE FOR DROP CORD									

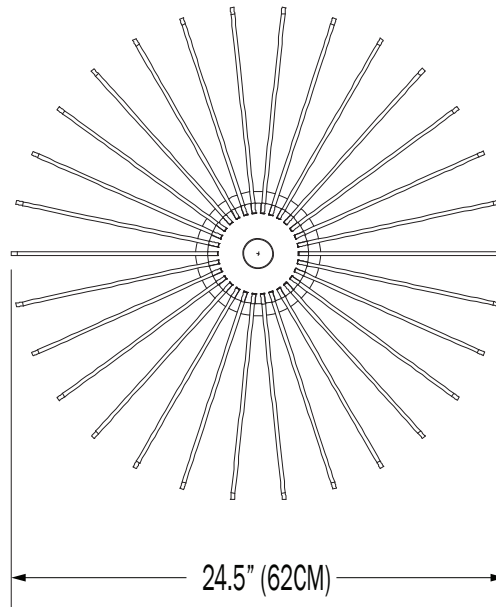
1. MAY REQUIRE TO COMPLY WITH LOCAL SEISMIC/EARTHQUAKE CODE

NOTE: SOME OPTIONS MAY NOT BE COMPATIBLE WITH OTHERS. ALL SPECIFICATIONS ARE SUBJECT TO CHANGE WITHOUT NOTICE. CONTACT TMS LIGHTING FOR UPDATED SPECIFICATIONS.

## 3490SA



### BOTTOM VIEW



#### CUSTOM

NOTE: THIS FIXTURE CAN BE CUSTOMIZE. DIMENSION, LAMP TYPES, ENCLOSURE, AND COLOR CAN BE MODIFIED TO SUIT YOUR LIGHTING AND ARCHITECTURAL REQUIREMENTS. CONTACT YOUR LOCAL REPRESENTATIVE FOR MORE DETAILS: <https://tmslighting.com/sales-agents.html>

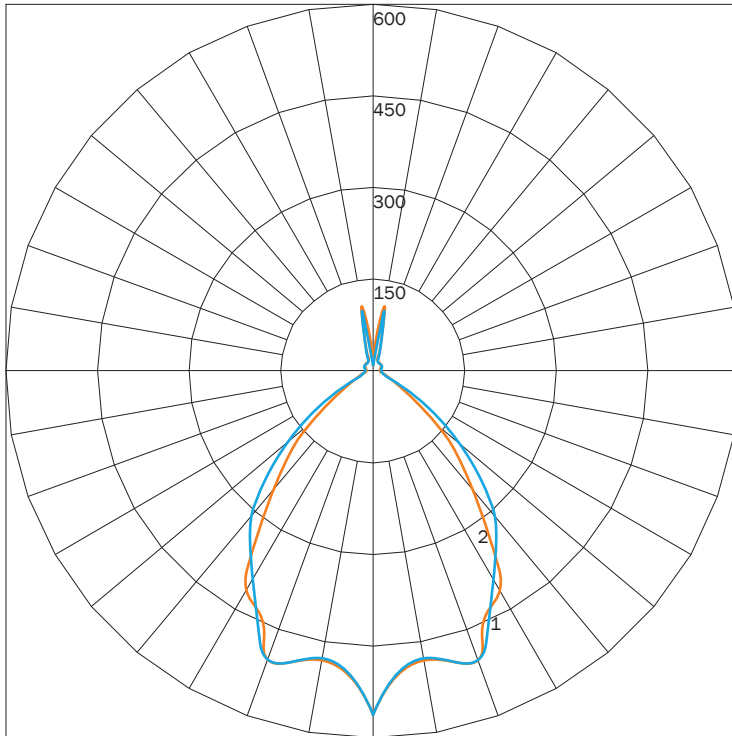
## DIRECT

PN	DIFFUSER	LUMENS	WATTAGE
3490SA	CL	1073	14
	OP	1008	14

### IES INDOOR REPORT

PHOTOMETRIC FILENAME : 3490SA 14LED SN OP.IES

### POLAR GRAPH



MAXIMUM CANDELA = 562.47 LOCATED AT HORIZONTAL ANGLE = 0, VERTICAL ANGLE = 0  
 # 1 - VERTICAL PLANE THROUGH HORIZONTAL ANGLES (90 - 270)  
 # 2 - VERTICAL PLANE THROUGH HORIZONTAL ANGLES (0 - 180)

**LUMINAIRE LUMENS**

1073

**TOTAL LUMINAIRE EFFICIENCY**

NA

**LUMINAIRE EFFICACY RATING**

63

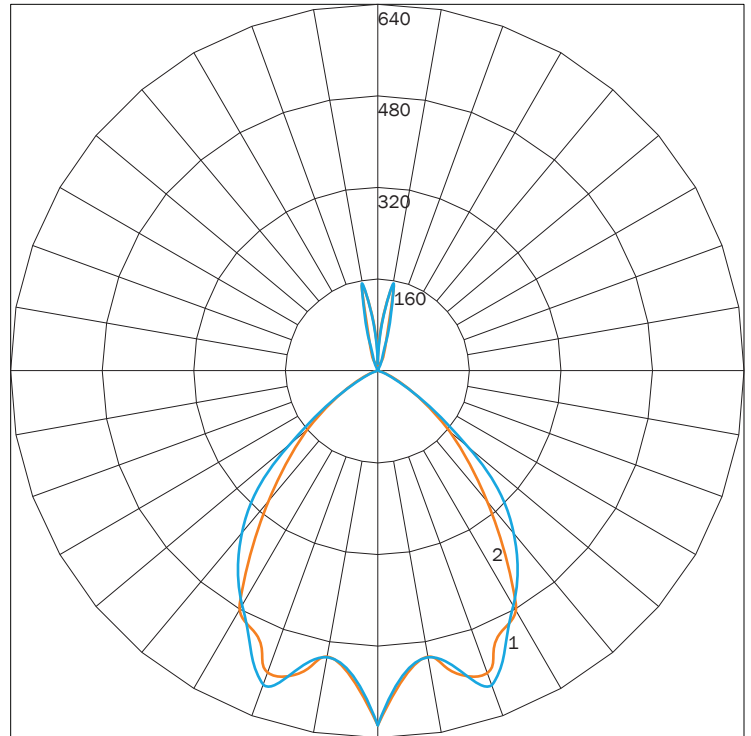
**TOTAL LUMINAIRE WATTS**

16

### IES INDOOR REPORT

PHOTOMETRIC FILENAME : 3490SA 14LED SN CL.IES

### POLAR GRAPH



MAXIMUM CANDELA = 618.64 LOCATED AT HORIZONTAL ANGLE = 0, VERTICAL ANGLE = 0  
 # 1 - VERTICAL PLANE THROUGH HORIZONTAL ANGLES (90 - 270)  
 # 2 - VERTICAL PLANE THROUGH HORIZONTAL ANGLES (0 - 180)

**LUMINAIRE LUMENS**

1008

**TOTAL LUMINAIRE EFFICIENCY**

NA

**LUMINAIRE EFFICACY RATING**

67

**TOTAL LUMINAIRE WATTS**

16

## AVAILABLE FINISHES



**AN**  
ANODIZED  
(SILVER)



**SN**  
SATIN  
NICKEL



**SB**  
SATIN  
BRASS



**CH**  
CHROME



**BC**  
BLACK  
CHROME



**AC**  
ANTIQU  
COPPER



**AB**  
ANTIQU  
BRASS



**PB**  
POLISH  
ED  
BRASS



**F04**  
MATTE  
WHITE



**F05**  
GLOSS  
WHITE



**F08**  
MIDNIGHT  
BLUE



**F09**  
PEWTER



**F10**  
FIRE  
RED



**F13**  
FOREST  
GREEN



**F14**  
SUNSHINE  
YELLOW



**F15**  
MATTE  
BLACK



**F16**  
GLOSS  
BLACK



**F18**  
SATIN  
ALUMINUM



**F21**  
ARCH  
BRONZE



**F24**  
MELTED  
PLATINUM



**F25**  
MELTED  
GOLD



**F26**  
MELTED  
COPPER



**F31**  
SILVER  
METALLIC



**F32**  
METALLIC  
BRONZE



**F33**  
PYRITE  
BRONZE



**F45**  
COPPER  
METALLIC



**RAL**  
CUSTOM  
COLOR  
(RAL #)

NOTE: DISPLAYED FINISHES DIFFER BETWEEN SCREENS AS WELL AS PRINTERS AND MAY NOT ACCURATELY DEPICT COLOR.