

PROJECT: _____

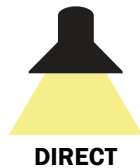
TYPE: _____

QUANTITY: _____



PN: RAJ

APPLICATION	<ul style="list-style-type: none">• PENDANT MOUNT• INDOOR OR OUTDOOR RATED
DIMENSION	<ul style="list-style-type: none">• 19.5" (50CM)
ILLUMINATION	<ul style="list-style-type: none">• DIRECT• LED 90CRI• 969 - 3,013 LUMENS
ELECTRICAL	<ul style="list-style-type: none">• 120V, 277V AND 347V• 10kA SURGE SUPPRESSION STANDARD
DIFFUSERS	<ul style="list-style-type: none">• CLEAR OR FROSTED, ELONGATED GLASS GLOBE• CLEAR, TEMPERED LENS
MOUNTING	<ul style="list-style-type: none">• 120" (305CM) BLACK OR WHITE DROP CORD W/ AIRCRAFT CABLE• 1" TO 60" (2.5CM TO 152CM) STEM MOUNT
CONSTRUCTION	<ul style="list-style-type: none">• ALUMINUM
FINISHES	<ul style="list-style-type: none">• AVAILABLE IN BRUSHED, ANODIZED, AND SEVERAL TMS POWDER COATED FINISHES• CUSTOM RAL FINISHES AVAILABLE
DIMMING	<ul style="list-style-type: none">• 0 - 10V STANDARD DIMMING
WEIGHT	<ul style="list-style-type: none">• 7.5 LBS MAXIMUM





RAJ™ PENDANT

PROJECT: _____

TYPE: _____

QUANTITY: _____

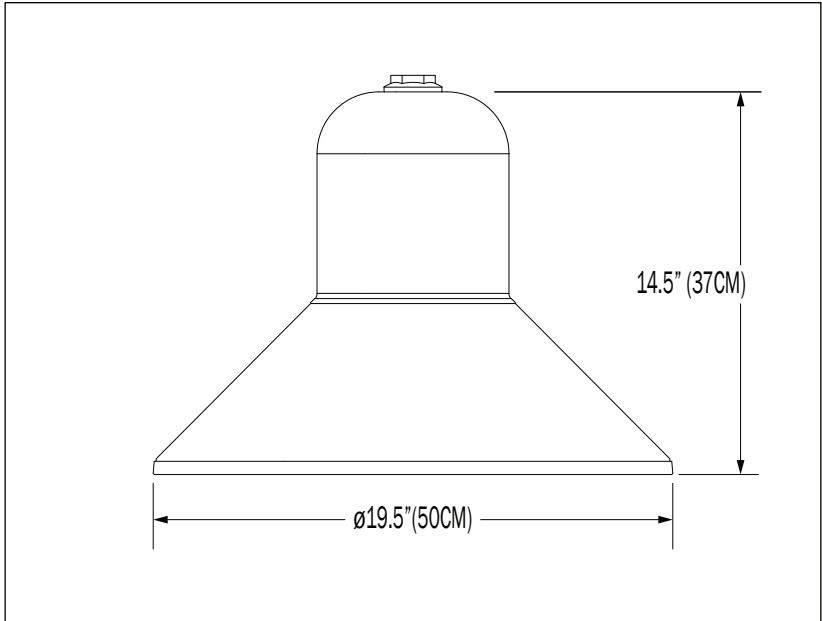
RAJ - - - - - 1 - - - - - 2 - - - - - 3 - - - - - 4 - - - - - 5 - - - - - 6 - - - - - 7 - - - - - 8 - - - - - 9 - - - - - 10 - - - - - 11 - - - - - 12

1.	I					O							
APPLICATION	INDOOR					OUTDOOR							
2.	19												
DIAMETER	19.5" DIA. (50CM)												
3.	150IN		15LED		17LED²		19LED		32LED				
ILLUMINATION ¹	MED BASE (MAX 150W INC)		15W LED		17W LED PAR38 E26 MED. BASE, 4000K, 60°		19W LED		32W LED				
4.	CRD	C01	C06	C12	C18	C24	C36	C48	C60				
MOUNTING	120"(305CM) DROP CORD	1"(2.5CM) STEM MOUNT	6"(15CM) STEM MOUNT	12"(31CM) STEM MOUNT	18"(46CM) STEM MOUNT	24"(61CM) STEM MOUNT	36"(91CM) STEM MOUNT	48"(122CM) STEM MOUNT	60"(152CM) STEM MOUNT				
5.	---			BC			WC						
CORD	NONE			BLACK DROP CORD			WHITE DROP CORD						
6.	---		30K			35K		40K					
LED CCT	NONE		3000K			3500K		4000K					
7.	120			277			347						
VOLTAGE	120V			277V			347V						
8.	ADDITIONAL AND PREMIUM FINISHES AVAILABLE. SEE FINISHES CHART			F04	F05	F15	F16	F09	F31	F18			
FINISH													
				F06	F07	F08	F10	F11	F13	F14	F21	F22	F24
				CLAY BROWN	ZEUS BROWN	MIDNIGHT BLUE	FIRE RED	CITRUS ORANGE	FOREST GREEN	SUNSHINE YELLOW	ARCH. BRONZE	HARVEST GOLD	MELTED PLATINUM
				F25	F26	F28	F32	F33	F38	F39	F40	F41	F45
	MELTED GOLD	MELTED COPPER	DARK CAMPAGNE	BRONZE METALLIC	PYRITE BRONZE	MEADOW GREEN	AQUA BLUE	BUBBLE PINK	ELECTRIC PURPLE	COPPER METALLIC			
9.	---		G1	G2	G9	G11	G12	LNC					
GLOBE/LENS	NONE		CLEAR, ELONGATED GLOBE	FROSTED GLOBE	CLEAR, ELONGATED, LARGE GLOBE	CLEAR, ELONGATED GLOBE W/ CAST GUARD	CLEAR, ELONGATED LARGE GLOBE W/ CAST GUARD	CLEAR LENS					
10.	---					DIML							
DIMMING ³	NONE					LED DIMMING (0 - 10V, CURRENT - SINKING)							
11.	---		EM		EMC		EMR		EMCR				
EMERGENCY ⁴	NONE		INTEGRAL		INTEGRAL COLD PACK		REMOTE		REMOTE COLD PACK				
12.	---			BL			ACC						
MOUNTING ⁵ ACCESSORIES	NONE			CEILING SLOPE ADAPTER FOR STEM MOUNT (30°)			AIRCRAFT CABLE FOR DROP CORDS						

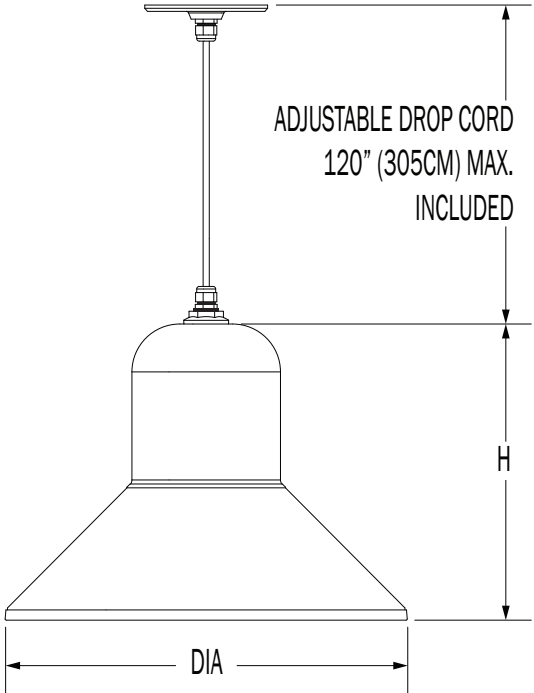
1. INCANDESCENT SYSTEMS, METAL HALIDE SYSTEMS, AND THOSE USING THE 17W LED USE A MEDIUM BASE SOCKET (E26)
 2. EMERGENCY BACK-UP IS NOT AVAILABLE WITH THE 17W LED PAR 38 LAMP
 3. DIMMING IS NOT AVAILABLE FOR OUTDOOR OF APPLICATION
 4. 10W AT 90 MINUTES. EMERGENCY OPTION IS ONLY AVAILABLE IN 120 - 277V SYSTEMS
 5. MAY REQUIRE TO COMPLY WITH LOCAL SEISMIC/EARTHQUAKE CODE

NOTE: SOME OPTIONS MAY NOT BE COMPATIBLE WITH OTHERS. ALL SPECIFICATIONS ARE SUBJECT TO CHANGE WITHOUT NOTICE. CONTACT TMS LIGHTING FOR UPDATED SPECIFICATIONS.

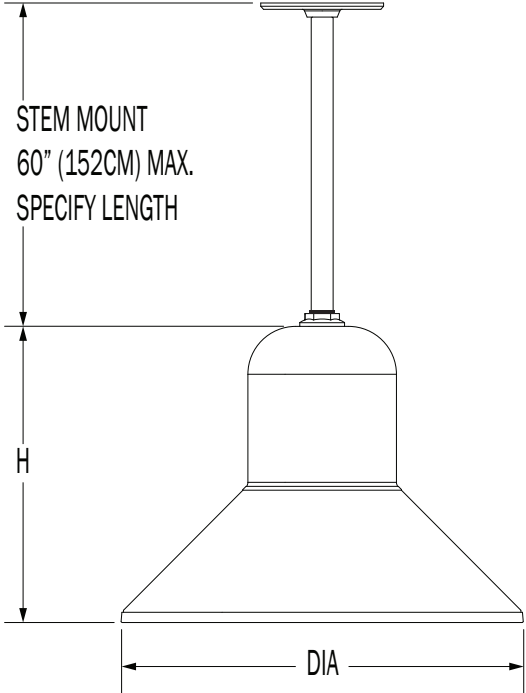
RAJ



DROP CORD MOUNT



STEM MOUNT



CUSTOM

NOTE: THIS FIXTURE CAN BE CUSTOMIZE. DIMENSION, LAMP TYPES, ENCLOSURE, AND COLOR CAN BE MODIFIED TO SUIT YOUR LIGHTING AND ARCHITECTURAL REQUIREMENTS. CONTACT YOUR LOCAL REPRESENTATIVE FOR MORE DETAILS: <https://tmslighting.com/sales-agents.html>

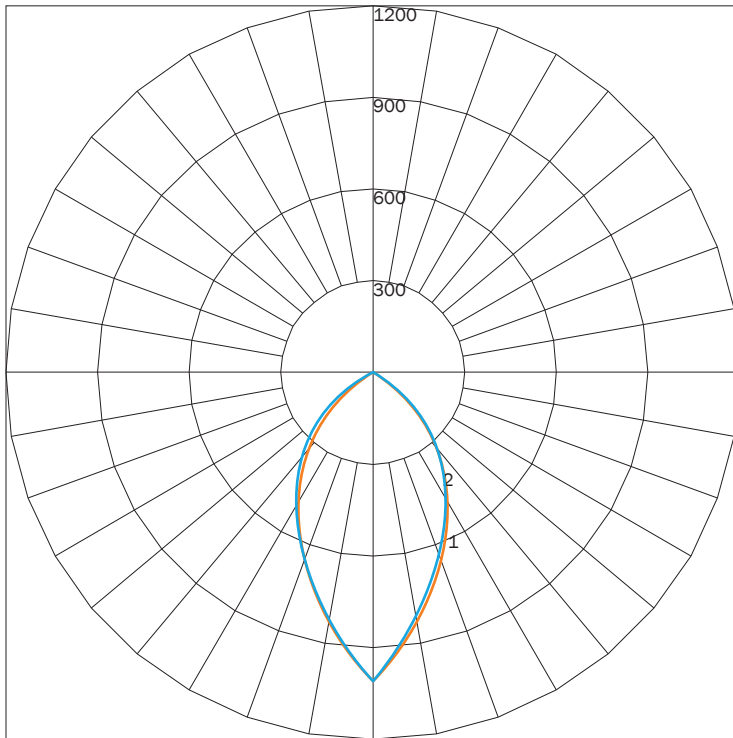
DIRECT

PN	ILLUMINATION	GLOBE/LENS	LUMENS	WATTAGE
RAJ	15LED	G11	970	15
		LNC	1055	15
		---	1107	15
	19LED	LNC	1759	19
		---	1886	19
	32LED	LNC	2839	32
		---	3013	32

IES INDOOR REPORT

PHOTOMETRIC FILENAME : RAJ 15LED F05.IES

POLAR GRAPH



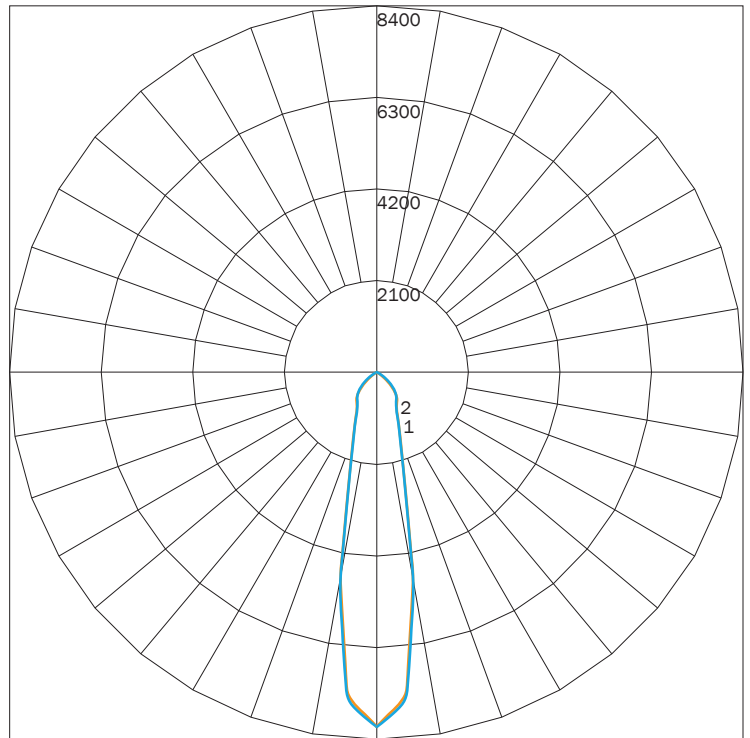
MAXIMUM CANDELA = 1010.88 LOCATED AT HORIZONTAL ANGLE = 0, VERTICAL ANGLE = 0
 # 1 - VERTICAL PLANE THROUGH HORIZONTAL ANGLES (90 - 270)
 # 2 - VERTICAL PLANE THROUGH HORIZONTAL ANGLES (0 - 180)

LUMINAIRE LUMENS 1107
TOTAL LUMINAIRE EFFICIENCY NA
LUMINAIRE EFFICACY RATING 64
TOTAL LUMINAIRE WATTS 17

IES INDOOR REPORT

PHOTOMETRIC FILENAME : RAJ 32LED F05.IES

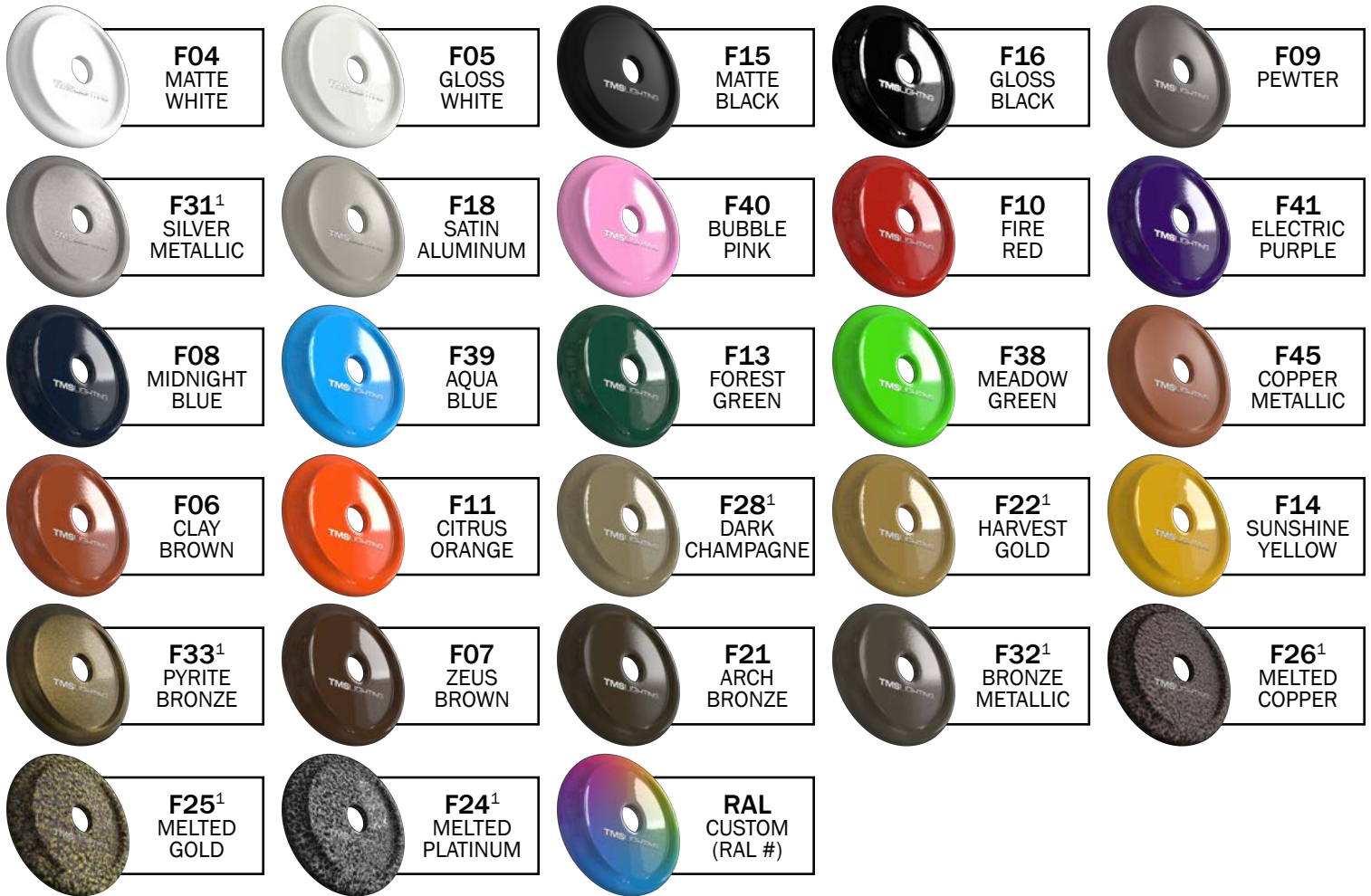
POLAR GRAPH



MAXIMUM CANDELA = 8126.01 LOCATED AT HORIZONTAL ANGLE = 0, VERTICAL ANGLE = 0
 # 1 - VERTICAL PLANE THROUGH HORIZONTAL ANGLES (90 - 270)
 # 2 - VERTICAL PLANE THROUGH HORIZONTAL ANGLES (0 - 180)

LUMINAIRE LUMENS 3013
TOTAL LUMINAIRE EFFICIENCY NA
LUMINAIRE EFFICACY RATING 83
TOTAL LUMINAIRE WATTS 36

FINISHES



PREMIUM FINISHES



PREMIUM MATERIALS



1: FINISHES IS APPLIED TO THE INTERIOR AND EXTERIOR OF THE FIXTURE.

2: MATERIALS ARE CONSISTENT (INTERIOR & EXTERIOR). STEMS AND CANOPIES WILL BE F16 GLOSS BLACK.

NOTE: ALL FINISHES NOT MARKED WITH NOTATION (1) ARE APPLIED TO THE EXTERIOR ONLY. THE INTERIOR WILL BE F05 GLOSS WHITE.

MATTE FINISHES AVAILABLE. CONSULT FACTORY.

FINISHES ARE SUBJECT TO AVAILABILITY AND MAY NOT BE APPLICABLE TO ALL FIXTURES OR FOR QUICKSHIP.

DISPLAYED FINISHES DIFFER BETWEEN SCREENS AS WELL AS PRINTERS AND MAY NOT ACCURATELY DEPICT COLOR.