

RADIAL™ PENDANT

PROJECT: _____

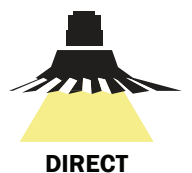
TYPE: _____

QUANTITY: _____



PN: RAD

APPLICATION	<ul style="list-style-type: none">• PENDANT MOUNT• INDOOR OR OUTDOOR RATED
DIMENSION	<ul style="list-style-type: none">• 16", 19" (41CM, 48CM)
ILLUMINATION	<ul style="list-style-type: none">• DIRECT• LED 90CRI• 1,125 - 1,169 LUMENS
ELECTRICAL	<ul style="list-style-type: none">• 120V, 277V AND 347V• 10kA SURGE SUPPRESSION STANDARD
DIFFUSERS	<ul style="list-style-type: none">• CLEAR OR FROSTED, ELONGATED GLASS GLOBE
MOUNTING	<ul style="list-style-type: none">• 120" (305CM) BLACK OR WHITE DROP CORD W/ AIRCRAFT CABLE• 1" TO 60" (2.5CM TO 152CM) STEM MOUNT
CONSTRUCTION	<ul style="list-style-type: none">• ALUMINUM OR STEEL
FINISHES	<ul style="list-style-type: none">• AVAILABLE IN SEVERAL TMS SPECIALTY, AND POWDER COATED FINISHES• CUSTOM RAL FINISHES AVAILABLE
DIMMING	<ul style="list-style-type: none">• 0 - 10V STANDARD DIMMING
WEIGHT	<ul style="list-style-type: none">• 7 LBS MAXIMUM



RADIAL™ PENDANT



PROJECT: _____
 TYPE: _____
 QUANTITY: _____

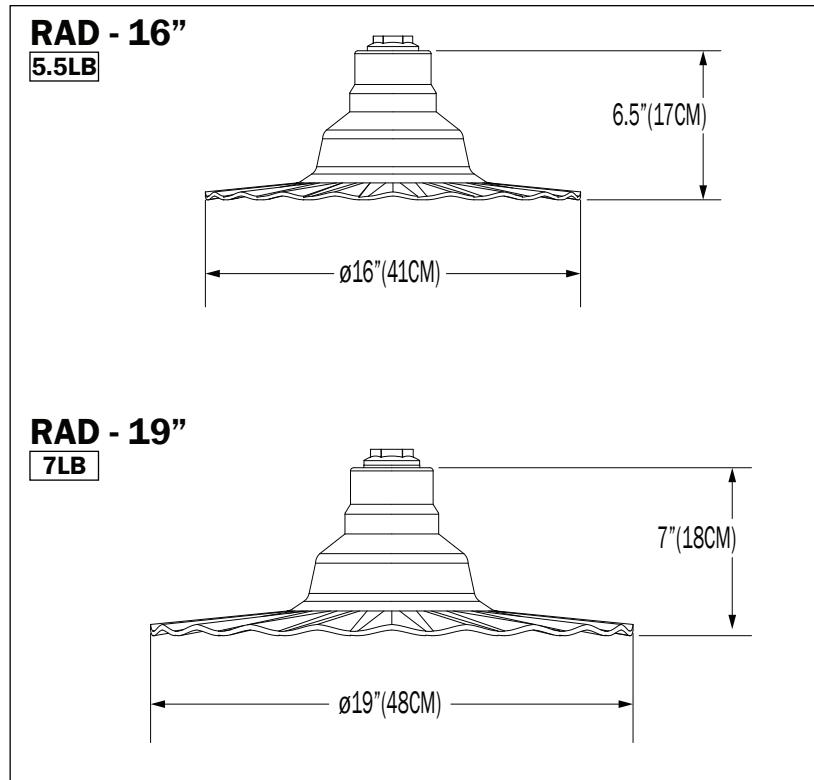
RAD - - - - - 1 2 3 4 5 6 7 8 9 10 11 12

1.	I					O							
APPLICATION	INDOOR					OUTDOOR							
2.	16					19							
DIAMETER	16"DIA. (41CM)					19"DIA. (48CM)							
3.	100IN			15LED		17LED¹		19LED					
ILLUMINATION	MED BASE (MAX 100W INC)			15W LED		17W LED PAR38 E26 MED BASE, 4000K, 60°		19W LED					
4.	CRD	C01	C06	C12	C18	C24	C36	C48	C60				
MOUNTING	120"(305CM) DROP CORD	1"(2.5CM) STEM MOUNT	6"(15CM) STEM MOUNT	12"(31CM) STEM MOUNT	18"(46CM) STEM MOUNT	24"(61CM) STEM MOUNT	36"(91CM) STEM MOUNT	48"(122CM) STEM MOUNT	60"(152CM) STEM MOUNT				
5.	---			BC			WC						
CORD	NONE			BLACK DROP CORD			WHITE DROP CORD						
6.	---			30K		35K		40K					
LED CCT	NONE			3000K		3500K		4000K					
7.	120			277			347						
VOLTAGE	120V			277V			347V						
8.	ADDITIONAL AND PREMIUM FINISHES AVAILABLE. SEE FINISHES CHART			F04	F05	F15	F16	F09	F31	F18			
FINISH ²													
				F06	F07	F08	F10	F11	F13	F14	F21	F22	F24
				CLAY BROWN	ZEUS BROWN	MIDNIGHT BLUE	FIRE RED	CITRUS ORANGE	FOREST GREEN	SUNSHINE YELLOW	ARCH. BRONZE	HARVEST GOLD	MELTED PLATINUM
				F25	F26	F28	F32	F33	F38	F39	F40	F41	F45
	MELTED GOLD	MELTED COPPER	DARK CAMPAGNE	BRONZE METALLIC	PYRITE BRONZE	MEADOW GREEN	AQUA BLUE	BUBBLE PINK	ELECTRIC PURPLE	COPPER METALLIC			
9.	---		G1	G2		G9	G11		G12				
GLOBE/ LENS	NONE		CLEAR, ELONGATED GLOBE	FROSTED GLOBE		CLEAR, ELONGATED, LARGE GLOBE	CLEAR, ELONOGATED GLOBE W/ CAST GUARD		CLEAR, ELONGATED, LARGE GLOBE W/ GUARD CAST				
10.	---					DIML							
DIMMING	NONE					LED DIMMING (0 - 10V, CURRENT - SINKING)							
11.	---		EM		EMC		EMR		EMCR				
EMERGENCY ³	NONE		INTEGRAL		INTEGRAL COLD PACK		REMOTE		REMOTE COLD PACK				
12.	---			BL			ACC						
MOUNTING ⁴ ACCESSORIES	NONE			CEILING SLOPE ADAPTER FOR STEM MOUNT (30°)			AIRCRAFT CABLE FOR DROP CORDS						

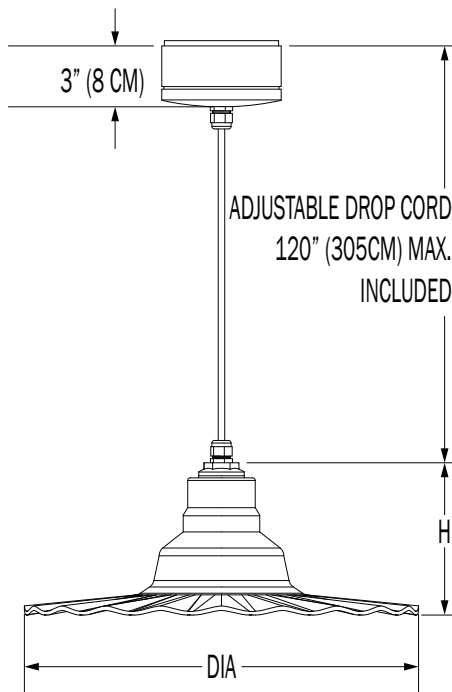
1. GLOBES AND EMERGENCY ARE NOT AVAILABLE WITH THE 17W LED PAR 38 LAMPS
 2. A CLEAR COAT IS APPLIED TO COPPER. PATINA WILL FORM OVER TIME
 3. 10W AT 90 MINUTES. EMERGENCY OPTION IS ONLY AVAILABLE IN 120 - 277V SYSTEMS
 4. MAY REQUIRE TO COMPLY WITH LOCAL SEISMIC/EARTHQUAKE CODE

NOTE: SOME OPTIONS MAY NOT BE COMPATIBLE WITH OTHERS. ALL SPECIFICATIONS ARE SUBJECT TO CHANGE WITHOUT NOTICE. CONTACT TMS LIGHTING FOR UPDATED SPECIFICATIONS.

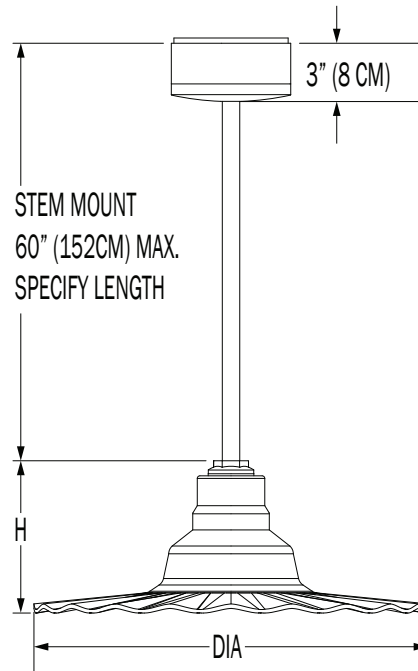
RADIAL™ PENDANT



DROP CORD MOUNT



STEM MOUNT



CUSTOM

NOTE: THIS FIXTURE CAN BE CUSTOMIZE. DIMENSION, LAMP TYPES, ENCLOSURE, AND COLOR CAN BE MODIFIED TO SUIT YOUR LIGHTING AND ARCHITECTURAL REQUIREMENTS. CONTACT YOUR LOCAL REPRESENTATIVE FOR MORE DETAILS: <https://tmslighting.com/sales-agents.html>

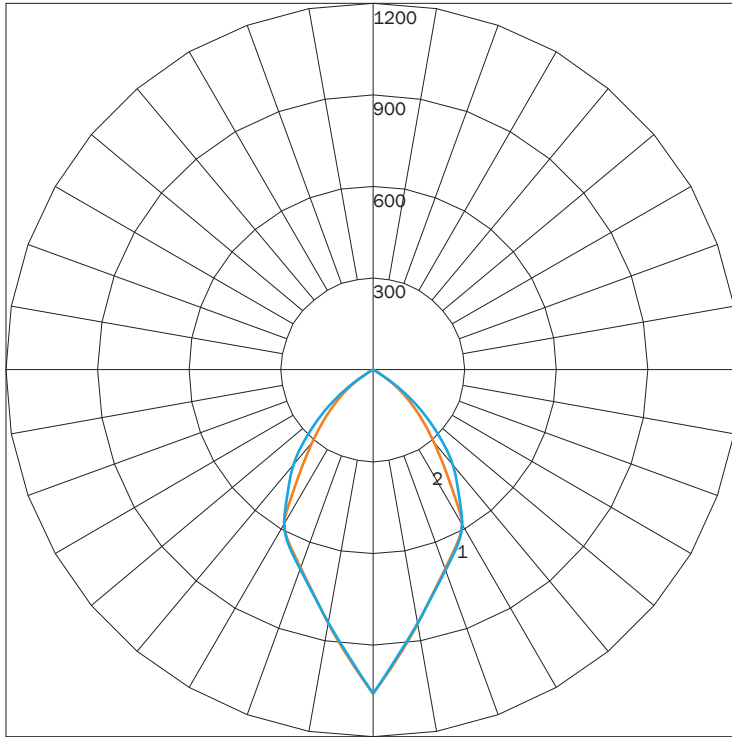
DIRECT

PN	SIZE (DIA)	ILLUMINATION	LUMENS	WATTAGE
RAD	16	15LED	1137	15
	19	15LED	1125	15
		100INC	1169	100

IES INDOOR REPORT

PHOTOMETRIC FILENAME : RAD 16 15LED.IES

POLAR GRAPH



MAXIMUM CANDELA = 1058.22 LOCATED AT HORIZONTAL ANGLE = 0, VERTICAL ANGLE = 0
 # 1 - VERTICAL PLANE THROUGH HORIZONTAL ANGLES (90 - 270)
 # 2 - VERTICAL PLANE THROUGH HORIZONTAL ANGLES (0 - 180)

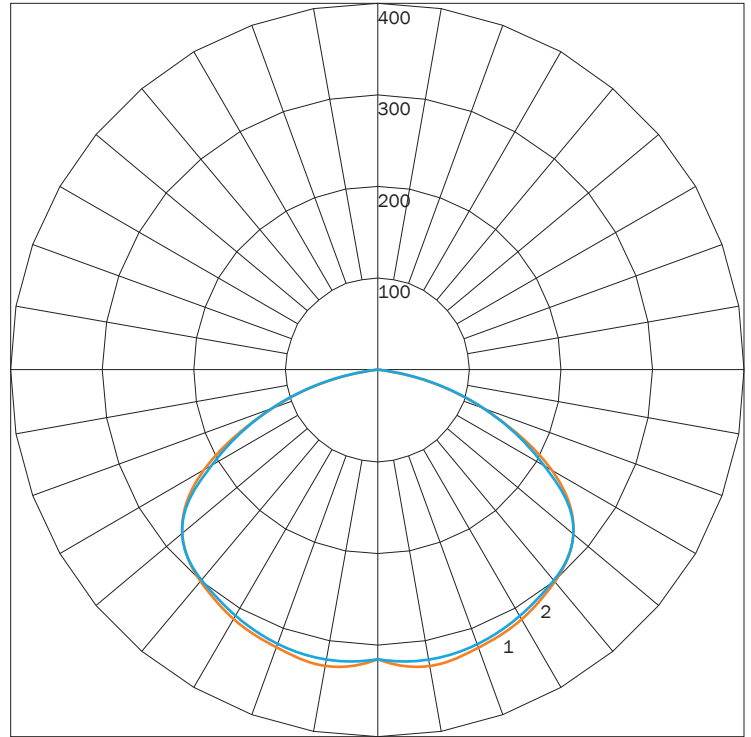
LUMINAIRE LUMENS
TOTAL LUMINAIRE EFFICIENCY
LUMINAIRE EFFICACY RATING
TOTAL LUMINAIRE WATTS

1137
 NA
 66
 17

IES INDOOR REPORT

PHOTOMETRIC FILENAME : RAD19 100IN.IES

POLAR GRAPH

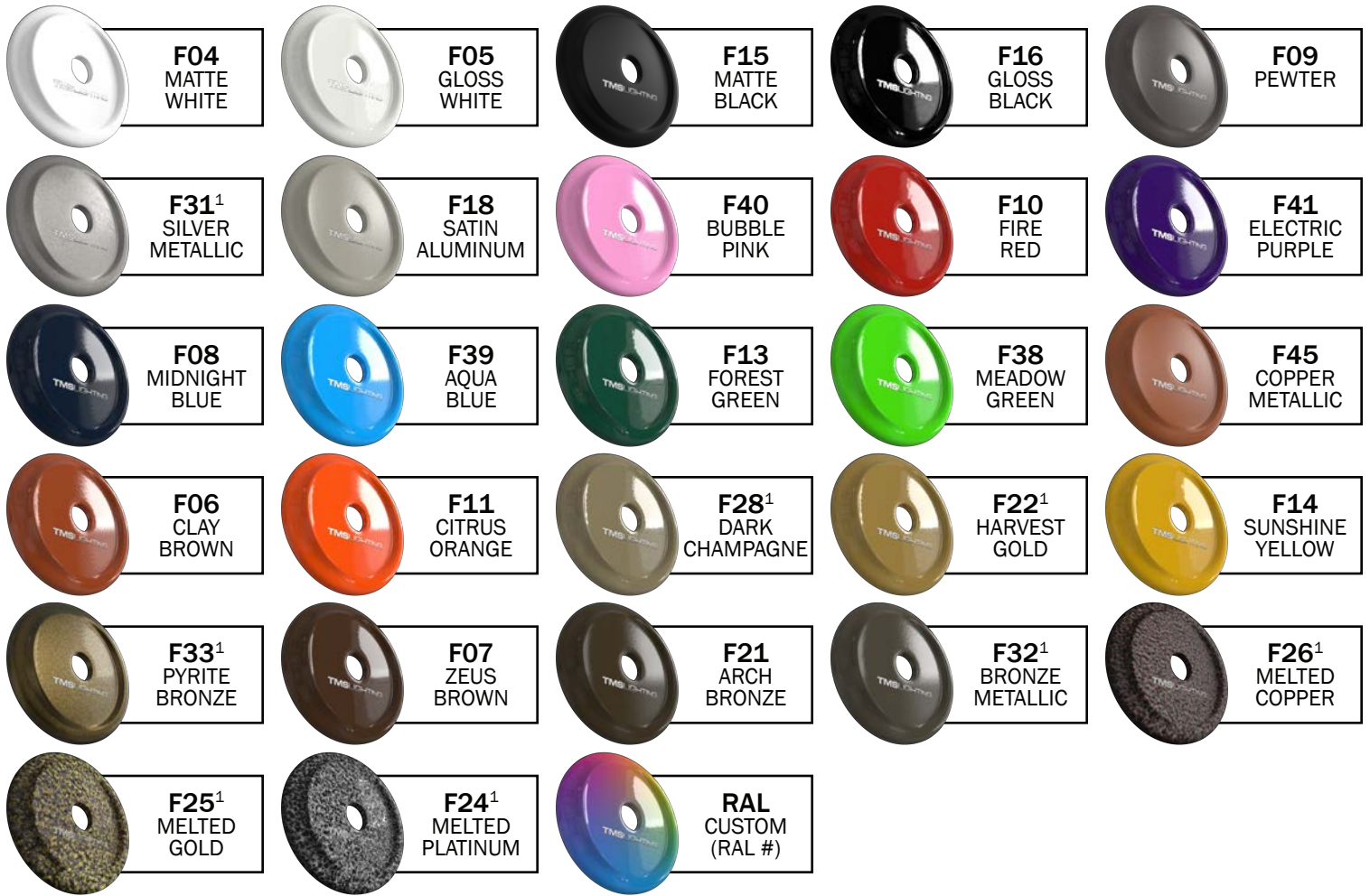


MAXIMUM CANDELA = 342.405 LOCATED AT HORIZONTAL ANGLE = 180, VERTICAL ANGLE = 5
 # 1 - VERTICAL PLANE THROUGH HORIZONTAL ANGLES (0 - 180)
 # 2 - VERTICAL PLANE THROUGH HORIZONTAL ANGLES (90 - 270)

LUMINAIRE LUMENS
TOTAL LUMINAIRE EFFICIENCY
LUMINAIRE EFFICACY RATING
TOTAL LUMINAIRE WATTS

1169
 69%
 12
 100

FINISHES



PREMIUM FINISHES



PREMIUM MATERIALS



1: FINISHES IS APPLIED TO THE INTERIOR AND EXTERIOR OF THE FIXTURE.

2: MATERIALS ARE CONSISTENT (INTERIOR & EXTERIOR). STEMS AND CANOPIES WILL BE F16 GLOSS BLACK.

NOTE: ALL FINISHES NOT MARKED WITH NOTATION (1) ARE APPLIED TO THE EXTERIOR ONLY. THE INTERIOR WILL BE F05 GLOSS WHITE.

MATTE FINISHES AVAILABLE. CONSULT FACTORY.

FINISHES ARE SUBJECT TO AVAILABILITY AND MAY NOT BE APPLICABLE TO ALL FIXTURES OR FOR QUICKSHIP.

DISPLAYED FINISHES DIFFER BETWEEN SCREENS AS WELL AS PRINTERS AND MAY NOT ACCURATELY DEPICT COLOR.