

# PHOENIX 4™ PENDANT

PROJECT: \_\_\_\_\_

TYPE: \_\_\_\_\_

QUANTITY: \_\_\_\_\_



PN: 9004

<b>APPLICATION</b>	<ul style="list-style-type: none"><li>• PENDANT MOUNT</li><li>• INDOOR RATED</li></ul>
<b>DIMENSION</b>	<ul style="list-style-type: none"><li>• 30", 36", 47" (76CM, 91CM, 119CM)</li></ul>
<b>ILLUMINATION</b>	<ul style="list-style-type: none"><li>• INDIRECT</li><li>• LED 90CRI</li><li>• 2,939 - 3,107 LUMENS</li></ul>
<b>ELECTRICAL</b>	<ul style="list-style-type: none"><li>• 120V, 277V AND 347V</li><li>• 10kA SURGE SUPPRESSION STANDARD</li></ul>
<b>DIFFUSERS</b>	<ul style="list-style-type: none"><li>• HIGH EFFICIENCY ACRYLIC</li></ul>
<b>DUST COVERS</b>	<ul style="list-style-type: none"><li>• CLEAR OR OPAL - WHITE DUST COVER</li></ul>
<b>MOUNTING</b>	<ul style="list-style-type: none"><li>• STEM MOUNT W/ MULTI - STEM SUPPORTS</li></ul>
<b>CONSTRUCTION</b>	<ul style="list-style-type: none"><li>• STEEL</li></ul>
<b>FINISHES</b>	<ul style="list-style-type: none"><li>• AVAILABLE IN SEVERAL TMS PLATED, AND POWDER COATED FINISHES</li><li>• CUSTOM RAL FINISHES AVAILABLE</li></ul>
<b>WEIGHT</b>	<ul style="list-style-type: none"><li>• 13 LBS MAXIMUM</li></ul>



# PHOENIX 4™ PENDANT



PROJECT: \_\_\_\_\_

TYPE: \_\_\_\_\_

QUANTITY: \_\_\_\_\_

**9004**

1 2 3 4 5 6

1.	30	36	47
DIAMETER	30" DIA X 30"H (76CM X 76CM)	36" DIA X 36"H (91CM X 91CM)	47" DIA X 47" H (119CM X 199CM)
2.			
ILLUMINATION	<b>60IN4</b>	<b>60IN4</b>	<b>60IN6</b>
LED (W)	240W	240W	360W
LUMENS	2939	3107	---

3.	120	277	347
VOLTAGE	120V	277V	347V

4.	SN	SB	CH	BC	AC	AB	PB	F05	F09	F16
FINISH	SATIN NICKEL	SATIN BRASS	CHROME	BLACK CHROME	ANTIQUÉ COPPER	ANTIQUÉ BRASS	POLISHED COPPER	WHITE	PEWTER	GLOSS BLACK
	<b>F19</b>	<b>F24</b>	<b>F25</b>	<b>F26</b>	<b>F31</b>	<b>F32</b>	<b>F33</b>	<b>RAL</b>		
	MIRROR SILVER	MELTED PLATINUM	MELTED GOLD	MELTED COPPER	SILVER METALLIC	BRONE METALLIC	PYRITE BRONZE	CUSTOM (SPECIFY)		

5.	OP	SD	30WA	36WA	47WA	30BA	36BA	47BA	30PE	36PE
DIFFUSER	OPAL-WHITE ACRYLIC	SAND-BLASTED WHITE	30° WHITE, FAUX ALABASTER	36° WHITE, FAUX ALABASTER	47° WHITE, FAUX ALABASTER	30° BEIGE, FAUX ALABASTER	36° BEIGE, FAUX ALABASTER	47° BEIGE, FAUX ALABASTER	30° FAUX PEARL	36° FAUX PEARL
	<b>47PE</b>									
	47° FAUX PEARL									

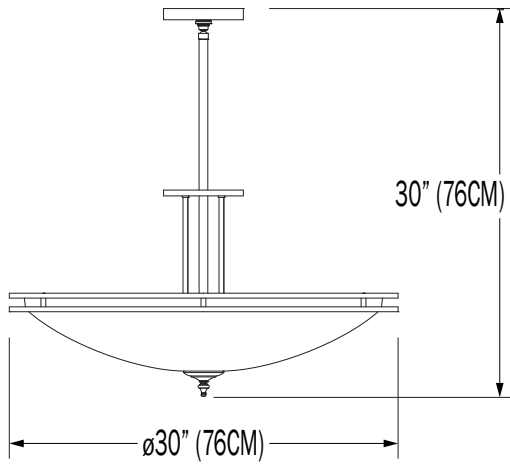
6.	---	30 CD	36 CD	47 CD	30 OD	36 OD	47 OD
DUST COVER	NONE	30" CLEAR DUST COVER	36" CLEAR DUST COVER	47" CLEAR DUST COVER	30" OPAL - WHITE DUST COVER	36" OPAL - WHITE DUST COVER	47" OPAL - WHITE DUST COVER

NOTE: SOME OPTIONS MAY NOT BE COMPATIBLE WITH OTHERS. ALL SPECIFICATIONS ARE SUBJECT TO CHANGE WITHOUT NOTICE. CONTACT TMS LIGHTING FOR UPDATED SPECIFICATIONS.

# PHOENIX 4™ PENDANT

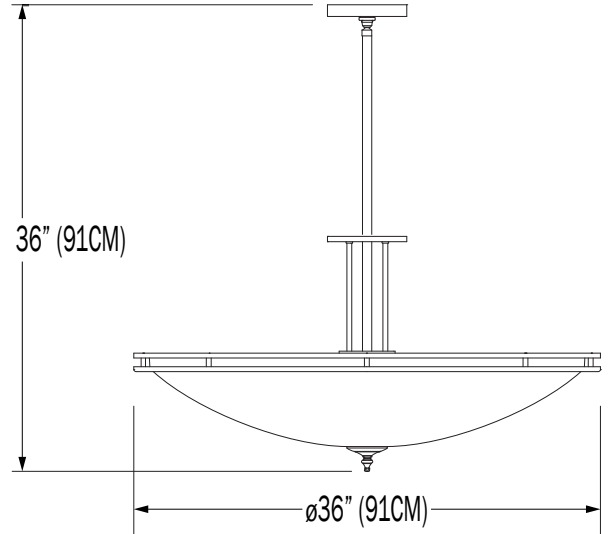
**9004 - 30"**

**9LB**



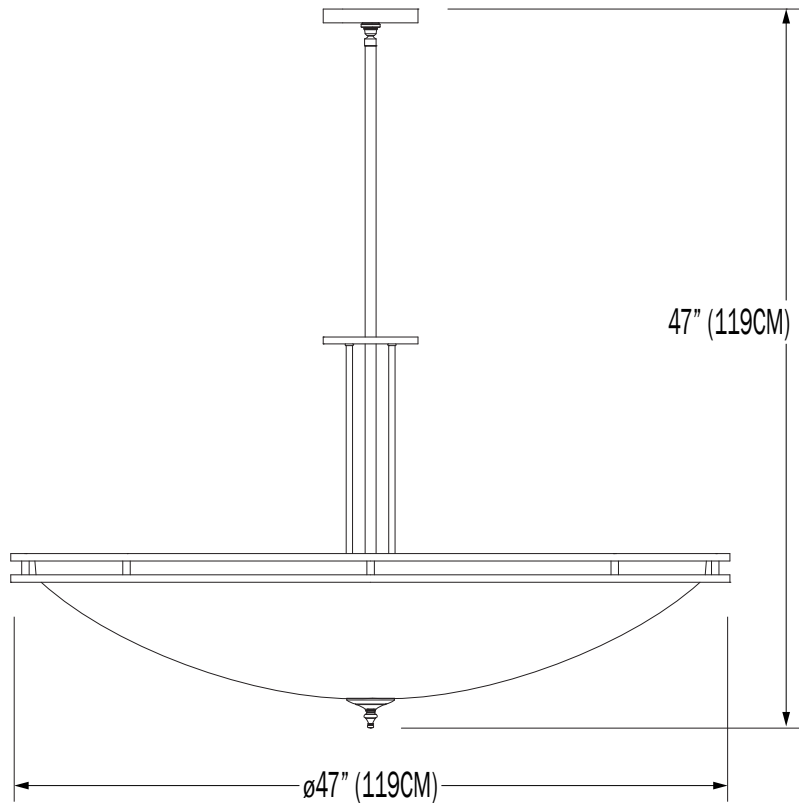
**9004 - 36"**

**10LB**



**9004 - 47"**

**13LB**



## CUSTOM

NOTE: THIS FIXTURE CAN BE CUSTOMIZE. DIMENSION, LAMP TYPES, ENCLOSURE, AND COLOR CAN BE MODIFIED TO SUIT YOUR LIGHTING AND ARCHITECTURAL REQUIREMENTS. CONTACT YOUR LOCAL REPRESENTATIVE FOR MORE DETAILS: <https://tmslighting.com/sales-agents.html>

# TMSLIGHTING

# PHOENIX 4™ PENDANT

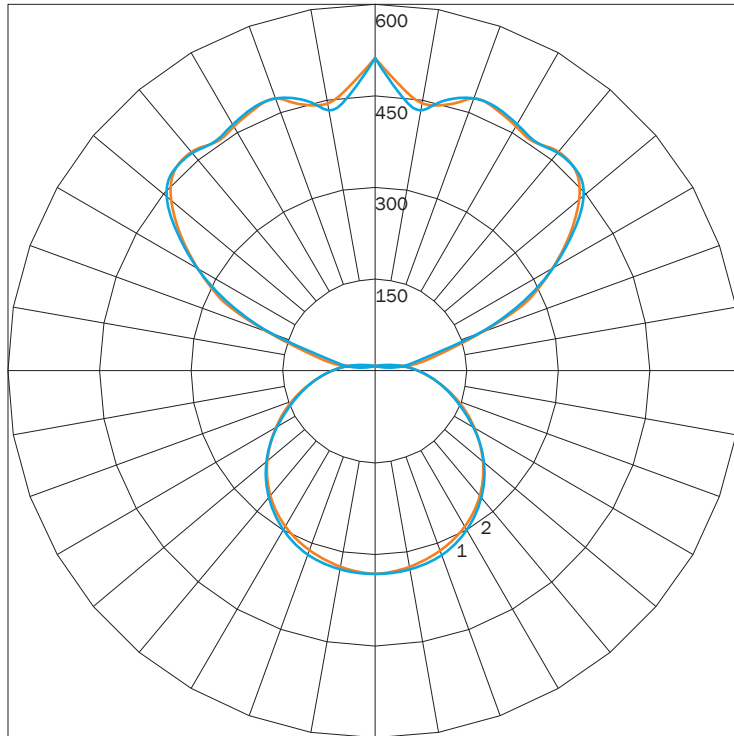
## INDIRECT

PN	SIZE (DIA)	ILLUMINATION	LUMENS	WATTAGE
9004	30	60IN4	2939	240
	36	60IN4	3107	240

### IES INDOOR REPORT

PHOTOMETRIC FILENAME : 9004 30 60IN4 SN.OP.IES

### POLAR GRAPH



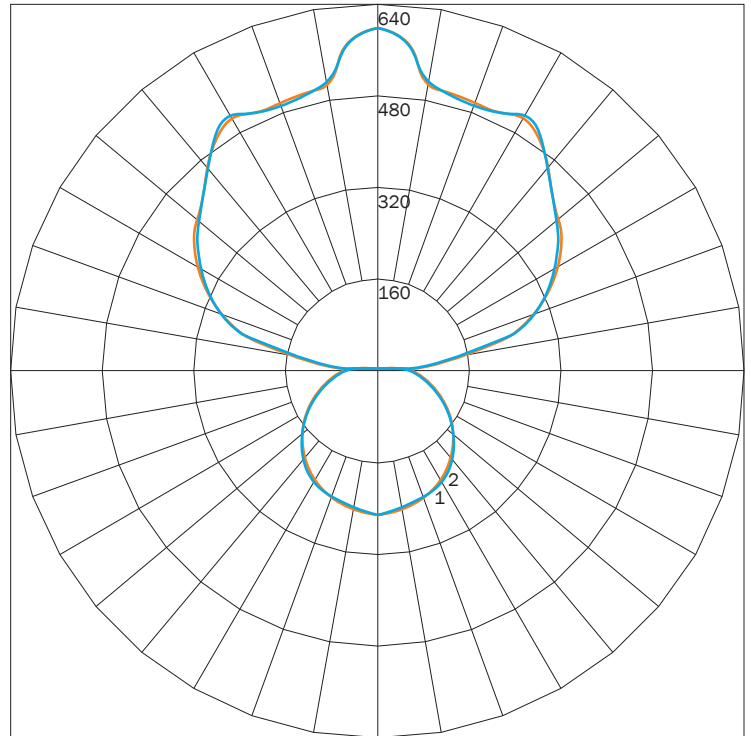
MAXIMUM CANDELA = 622.75 LOCATED AT HORIZONTAL ANGLE = 30, VERTICAL ANGLE = 175  
 # 1 - VERTICAL PLANE THROUGH HORIZONTAL ANGLES (90 - 270)  
 # 2 - VERTICAL PLANE THROUGH HORIZONTAL ANGLES (0 - 180)

**LUMINAIRE LUMENS** 2939  
**TOTAL LUMINAIRE EFFICIENCY** 91%  
**LUMINAIRE EFFICACY RATING** 12  
**TOTAL LUMINAIRE WATTS** 240

### IES INDOOR REPORT

PHOTOMETRIC FILENAME : 9004 36 60IN4 SN.IES

### POLAR GRAPH



MAXIMUM CANDELA = 622.75 LOCATED AT HORIZONTAL ANGLE = 30, VERTICAL ANGLE = 175  
 # 1 - VERTICAL PLANE THROUGH HORIZONTAL ANGLES (90 - 270)  
 # 2 - VERTICAL PLANE THROUGH HORIZONTAL ANGLES (0 - 180)

**LUMINAIRE LUMENS** 3107  
**TOTAL LUMINAIRE EFFICIENCY** 91%  
**LUMINAIRE EFFICACY RATING** 13  
**TOTAL LUMINAIRE WATTS** 240

## AVAILABLE FINISHES



**SN**  
SATIN  
NICKEL



**SB**  
SATIN  
BRASS



**CH**  
CHROME



**BC**  
BLACK  
CHROME



**AC**  
ANTIQUE  
COPPER



**AB**  
ANTIQUE  
BRASS



**PB**  
POLISHED  
BRASS



**F05**  
GLOSS  
WHITE



**F09**  
PEWTER



**F16**  
GLOSS  
BLACK



**F19**  
MIRROR  
SILVER



**F24**  
MELTED  
PLATINUM



**F25**  
MELTED  
GOLD



**F26**  
MELTED  
COPPER



**F31**  
SILVER  
METALLIC



**F32**  
METALLIC  
BRONZE



**F33**  
PYRITE  
BRONZE



**RAL**  
CUSTOM  
COLOR  
(RAL #)

NOTE: DISPLAYED FINISHES DIFFER BETWEEN SCREENS AS WELL AS PRINTERS AND MAY NOT ACCURATELY DEPICT COLOR.