

PHANTOM 9™ PENDANT

PROJECT: _____

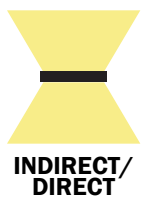
TYPE: _____

QUANTITY: _____



PN: 3009PH

APPLICATION	<ul style="list-style-type: none">• PENDANT MOUNT• INDOOR RATED
DIMENSION	<ul style="list-style-type: none">• 8" (20CM)
ILLUMINATION	<ul style="list-style-type: none">• DIFFUSE• LED 90CRI• 805 LUMENS
ELECTRICAL	<ul style="list-style-type: none">• 120V, 277V, AND 347V• 10kA SURGE SUPPRESSION STANDARD
DIFFUSERS	<ul style="list-style-type: none">• OPAL - WHITE ACRYLIC
MOUNTING	<ul style="list-style-type: none">• 120" (305CM) DROP CORD WITH AC CABLES• 12" (30CM) STEM MOUNT
CONSTRUCTION	<ul style="list-style-type: none">• ALUMINUM
FINISHES	<ul style="list-style-type: none">• AVAILABLE IN SEVERAL TMS POWDER COATED FINISHES• CUSTOM RAL FINISHES AVAILABLE
DIMMING	<ul style="list-style-type: none">• 0 - 10V STANDARD DIMMING (1%)



PHANTOM 9™ PENDANT



PROJECT: _____
 TYPE: _____
 QUANTITY: _____

3009PH

----- 1 ----- 2 ----- 3 ----- 4 ----- 5 ----- 6 -----

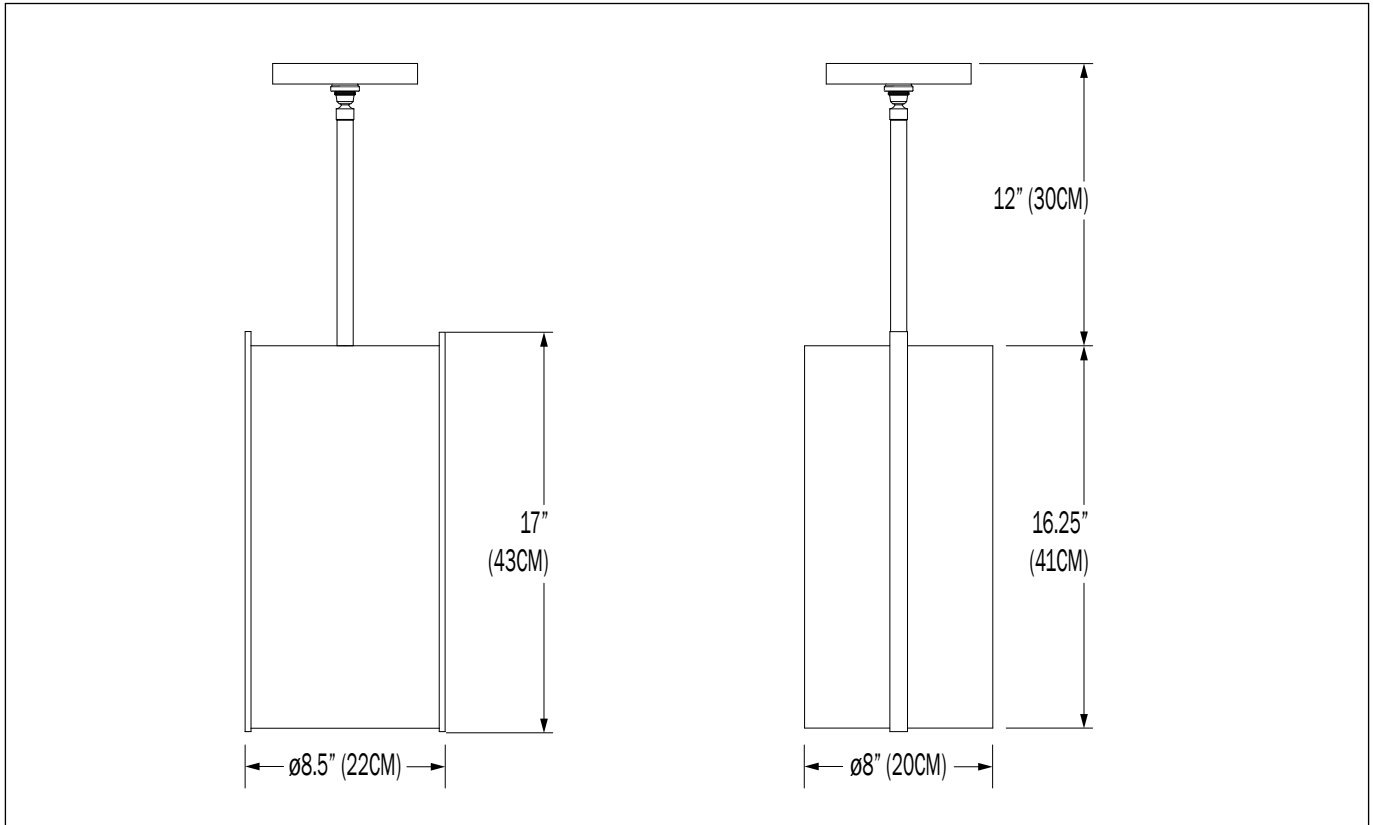
1.	60IN							
ILLUMINATION	60W INCANDESCENT							
LED (W)	60W							
LUMENS	805							
2.	C12				CRD			
MOUNTING	12" (30CM) STEM MOUNT				120" (305CM) DROP CORD			
3.	SN	SB	BC	CH	AC	AB	PB	RAL
FINISH	SATIN NICKEL	SATIN BRASS	BLACK CHROME	CHROME	ANTIQUE COPPER	ANTIQUE BRASS	POLISHED BRASS	CUSTOM (SPECIFY)
4.	120			277		347		
VOLTAGE	120V			277V		347V		
5.	OP							
DIFFUSER	OPAL - WHITE ACRYLIC							
6.	BL				ACC			
MOUNTING ¹ ACCESSORIES	CEILING SLOPE ADAPTER FOR STEM MOUNT (30°)				AIRCRAFT CABLE FOR DROP CORDS			

1. MAY REQUIRE TO COMPLY WITH LOCAL SEISMIC/EARTHQUAKE CODE

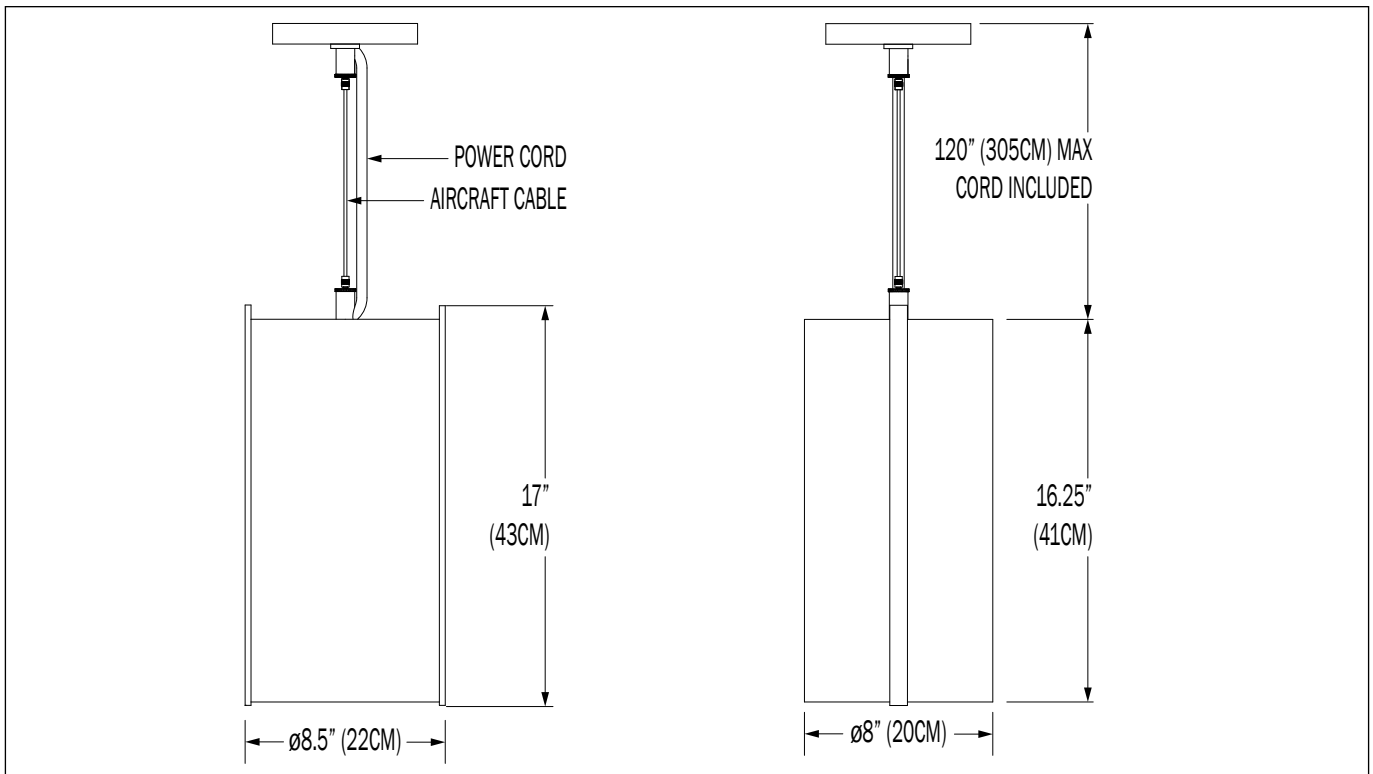
NOTE: SOME OPTIONS MAY NOT BE COMPATIBLE WITH OTHERS. ALL SPECIFICATIONS ARE SUBJECT TO CHANGE WITHOUT NOTICE. CONTACT TMS LIGHTING FOR UPDATED SPECIFICATIONS.

PHANTOM 9™ PENDANT

C12 - 12" (30CM) STEM MOUNT



CRD - DROP CORD



PHANTOM 9™ PENDANT

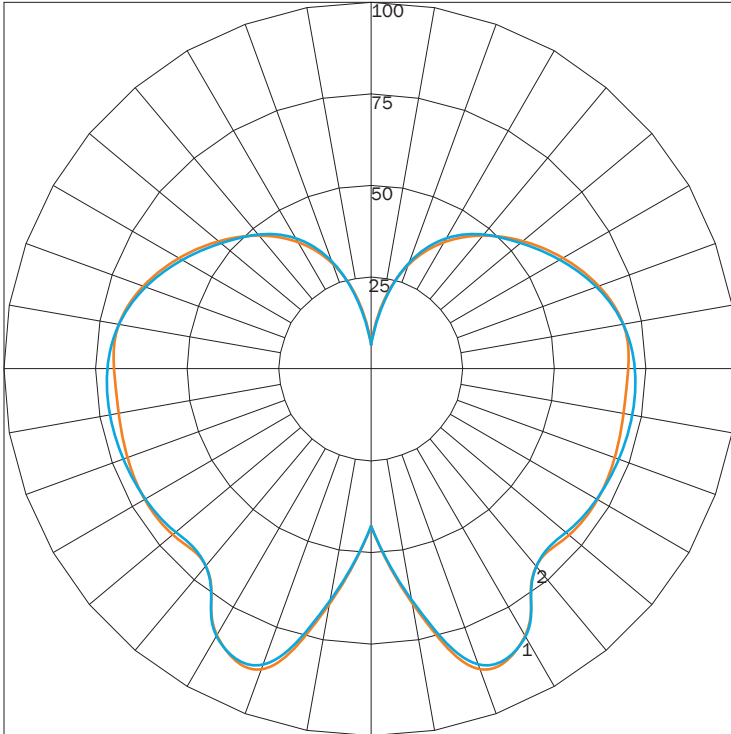
INDIRECT/DIRECT

PN	LUMENS	WATTAGE
60IN	805	60

IES INDOOR REPORT

PHOTOMETRIC FILENAME : PH09 60IN.IES

POLAR GRAPH



MAXIMUM CANDELA = 88.704 - LOCATED AT HORIZONTAL ANGLE = 0, VERTICAL ANGLE = 20
1 - VERTICAL PLANE THROUGH HORIZONTAL ANGLES (0 - 180)
2 - VERTICAL PLANE THROUGH HORIZONTAL ANGLES (90 - 270)

LUMINAIRE LUMENS	805
TOTAL LUMINAIRE EFFICIENCY	92%
LUMINAIRE EFFICACY RATING	13
TOTAL LUMINAIRE WATTS	60

PHANTOM 9™ PENDANT

AVAILABLE FINISHES



SN
SATIN
NICKEL



SB
SATIN
BRASS



BC
BLACK
CHROME



CH
CHROME



AC
ANTIQUÉ
COPPER



AB
ANTIQUÉ
BRASS



PB
POLISHED
BRASS



RAL
CUSTOM
COLOR
(RAL #)

NOTE: DISPLAYED FINISHES DIFFER BETWEEN SCREENS AS WELL AS PRINTERS AND MAY NOT ACCURATELY DEPICT COLOR.