

PHANTOM 3™ PENDANT

PROJECT: _____

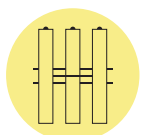
TYPE: _____

QUANTITY: _____



PN: 3003PH

APPLICATION	<ul style="list-style-type: none">• PENDANT MOUNT• INDOOR RATED
DIMENSION	<ul style="list-style-type: none">• 45" (114CM)
ILLUMINATION	<ul style="list-style-type: none">• DIFFUSE• LED 90CRI• 18,710 - 29,888 LUMENS
ELECTRICAL	<ul style="list-style-type: none">• 120V AND 277V• 10kA SURGE SUPPRESSION STANDARD
DIFFUSERS	<ul style="list-style-type: none">• OPAL - WHITE ACRYLIC
MOUNTING	<ul style="list-style-type: none">• 120" (305CM) STEM MOUNT
CONSTRUCTION	<ul style="list-style-type: none">• ALUMINUM
FINISHES	<ul style="list-style-type: none">• AVAILABLE IN SEVERAL TMS POWDER COATED FINISHES• CUSTOM RAL FINISHES AVAILABLE
DIMMING	<ul style="list-style-type: none">• 0 - 10V STANDARD DIMMING (1%)



DIFFUSE

TMSLIGHTING



PHANTOM 3™ PENDANT



PROJECT: _____
 TYPE: _____
 QUANTITY: _____

3003PH

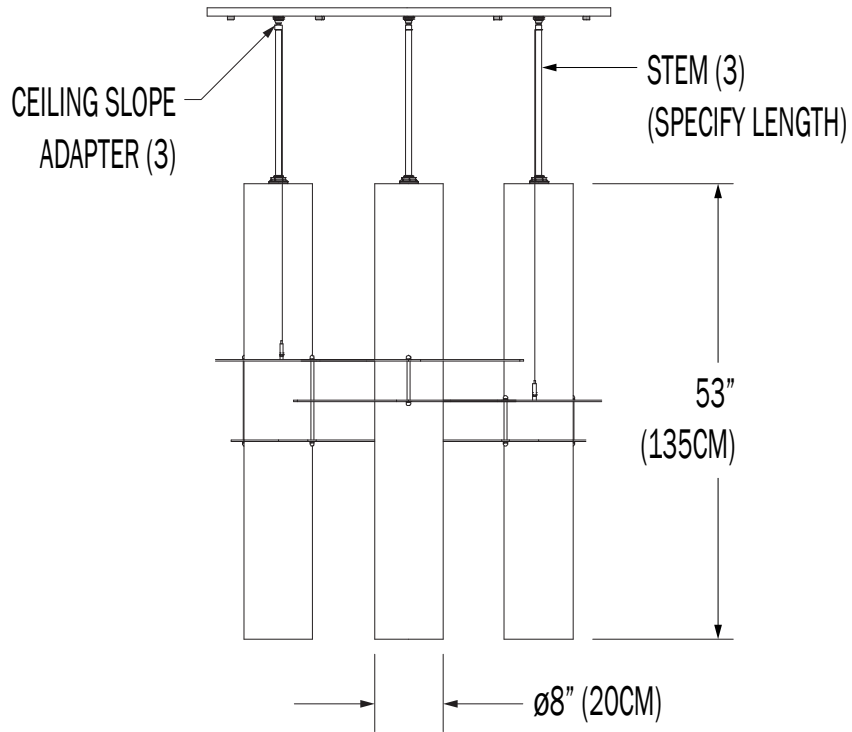
1 2 3 4 5 6 7

1.	44LED3				112LED3					
ILLUMINATION	3 X 44W LED				3 X 112W LED					
LED (W)	152W				549W					
LUMENS	18710				29888					
2.	30K			35K			40K			
LED CCT	3000K			3500K			4000K			
3.	120					277				
VOLTAGE	120V					277V				
4.	ST12	ST24	ST36	ST48	ST60	ST96	ST120			
MOUNTING	12"(30CM) STEM	24"(61CM) STEM MOUNT	36"(91CM) STEM MOUNT	48"(122CM) STEM MOUNT	60"(152CM) STEM MOUNT	96"(243CM) STEM MOUNT	120"(305CM) STEM MOUNT			
5.	SN	SB	CH	PB	F05	F09	F16	F19	F24	F25
FINISH	SATIN NICKEL	SATIN BRASS	CHROME	POLISHED BRASS	WHITE	PEWTER	GLOSS BLACK	MIRROR SILVER	MELTED PLATINUM	MELTED GOLD
	F26	F31	F32	F33	RAL					
	MELTED COPPER	SILVER METALLIC	BRONZE METALLIC	PYRITE BRONZE	CUSTOM (SPECIFY)					
6.	OP									
DIFFUSER	OPAL - WHITE ACRYLIC									
7.	---				DIML					
DIMMING	NONE				LED DIMMING (1 - 10V, CURRENT - SINKING)					

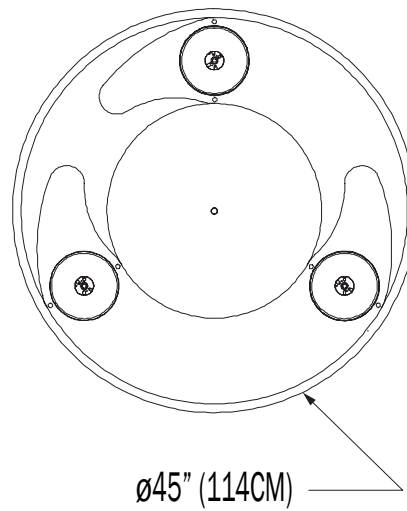
NOTE: SOME OPTIONS MAY NOT BE COMPATIBLE WITH OTHERS. ALL SPECIFICATIONS ARE SUBJECT TO CHANGE WITHOUT NOTICE. CONTACT TMS LIGHTING FOR UPDATED SPECIFICATIONS.

PHANTOM 3™ PENDANT

3003PH



BOTTOM



PHANTOM 3™ PENDANT

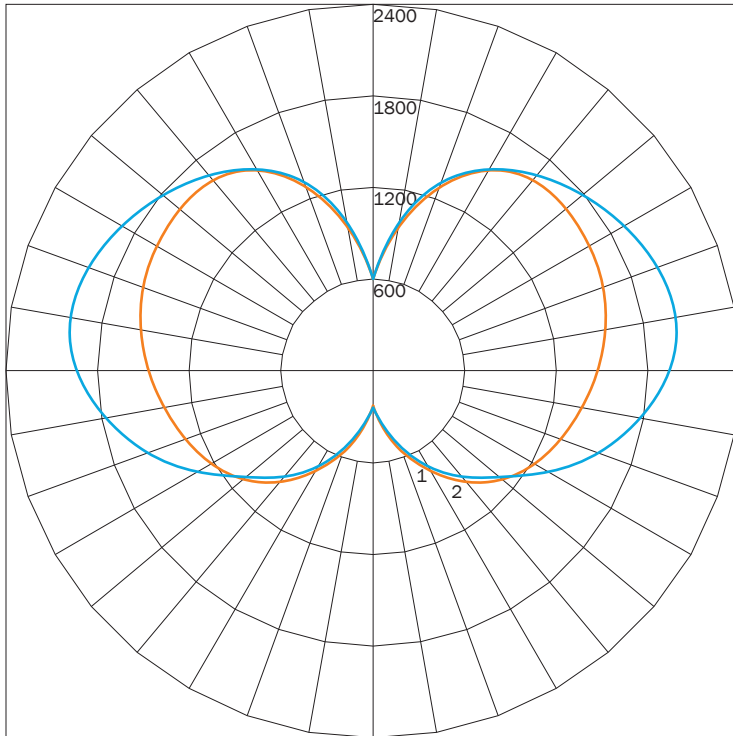
DIFFUSE

PN	ILLUMINATION	LUMENS	WATTAGE
3007PH	44LED3	18710	152
	112LED3	29888	549

IES INDOOR REPORT

PHOTOMETRIC FILENAME : 3003PH 44LED3 SN OP.IES

POLAR GRAPH



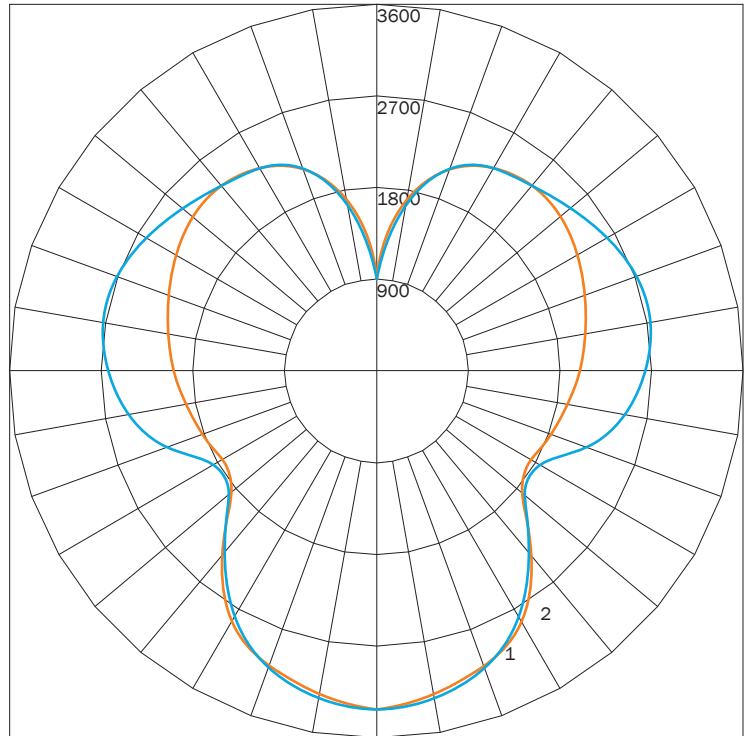
MAXIMUM CANDELA = 2116.14 LOCATED AT HORIZONTAL ANGLE = 0, VERTICAL ANGLE = 125
 # 1 - VERTICAL PLANE THROUGH HORIZONTAL ANGLES (90 - 270)
 # 2 - VERTICAL PLANE THROUGH HORIZONTAL ANGLES (0 - 180)

LUMINAIRE LUMENS 18710
TOTAL LUMINAIRE EFFICIENCY NA
LUMINAIRE EFFICACY RATING 123
TOTAL LUMINAIRE WATTS 152

IES INDOOR REPORT

PHOTOMETRIC FILENAME : 3003PH 112LED3 SN OP.IES

POLAR GRAPH



MAXIMUM CANDELA = 3549.45 LOCATED AT HORIZONTAL ANGLE = 30, VERTICAL ANGLE = 10
 # 1 - VERTICAL PLANE THROUGH HORIZONTAL ANGLES (90 - 270)
 # 2 - VERTICAL PLANE THROUGH HORIZONTAL ANGLES (0 - 180)

LUMINAIRE LUMENS 29888
TOTAL LUMINAIRE EFFICIENCY NA
LUMINAIRE EFFICACY RATING 54
TOTAL LUMINAIRE WATTS 549

PHANTOM 3™ PENDANT

AVAILABLE FINISHES



SN
SATIN
NICKEL



SB
SATIN
BRASS



CH
CHROME



PB
POLISHED
BRASS



F05
GLOSS
WHITE



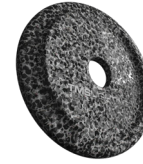
F09
PEWTER



F16
GLOSS
BLACK



F19
MIRROR
SILVER



F24
MELTED
PLATINUM



F25
MELTED
GOLD



F26
MELTED
COPPER



F31
SILVER
METALLIC



F32
METALLIC
BRONZE



F33
PYRITE
BRONZE



RAL
CUSTOM
COLOR
(RAL #)

NOTE: DISPLAYED FINISHES DIFFER BETWEEN SCREENS AS WELL AS PRINTERS AND MAY NOT ACCURATELY DEPICT COLOR.