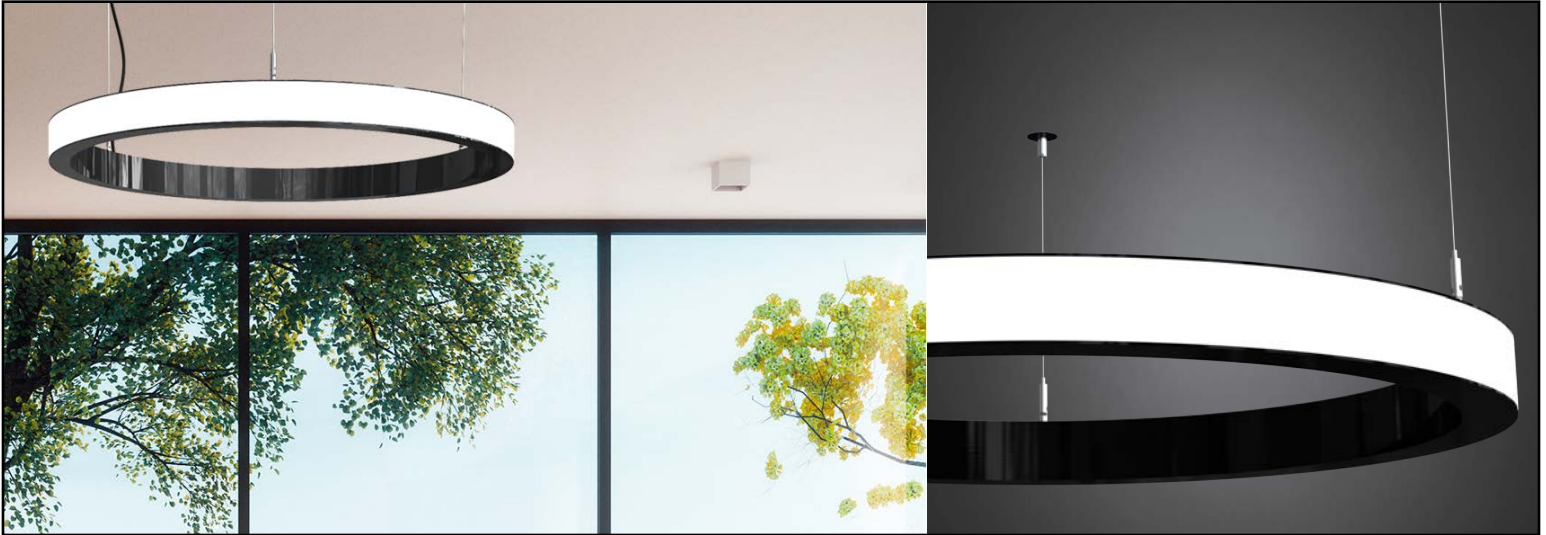


ORBITA™ O PENDANT

PROJECT: _____

TYPE: _____

QUANTITY: _____



PN: 9910RO

INDOOR



APPLICATION	<ul style="list-style-type: none">• INDIRECT/DIRECT PENDANT• INDOOR RATED
DIMENSION	<ul style="list-style-type: none">• 36", 48", 60", 72", 84"
ILLUMINATION	<ul style="list-style-type: none">• LED 90CRI• 7458 - 18363 LUMENS
ELECTRICAL	<ul style="list-style-type: none">• 120 - 277V• 6K SURGE SUPPRESSION STANDARD
DIFFUSERS	<ul style="list-style-type: none">• HIGH EFFICIENCY ACRYLIC
MOUNTING	<ul style="list-style-type: none">• 96" BLACK OR WHITE DROP CORD W/ AIRCRAFT CABLE
CONSTRUCTION	<ul style="list-style-type: none">• ALUMINUM
FINISHES	<ul style="list-style-type: none">• AVAILABLE IN SEVERAL TMS POLYESTER POWDER COATED FINISHES• CUSTOM RAL FINISHES AVAILABLE
DIMMING	<ul style="list-style-type: none">• 0-10V STANDARD
WEIGHT	<ul style="list-style-type: none">• 20-40 LBS MAXIMUM



INDIRECT/
DIRECT

TMSLIGHTING



ORBITA™ 0 PENDANT

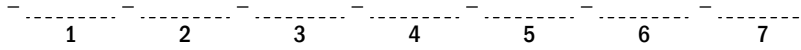


PROJECT: _____

TYPE: _____

QUANTITY: _____

9910R0



1.	36	48	60	72	84
DIA (INCH)	36"	48"	60"	72"	84"
LED (W)	71	97	121	146	177
LUMEN	7458	10096	12568	15185	18363

2.	30K	35K	40K
CCT	3000	3500	4000

3.	120	277	U
VOLTAGE	120V	277V	120-277V

4.	BC	WC
CORD	BLACK DROP CORD	WHITE DROP CORD

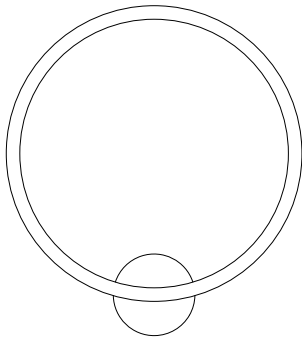
5.	MM	PS
MOUNTING	MULTIPLE AIRCRAFT CABLES	SINGLE PLATE W/ AIRCRAFT CABLES

6.	F04	F05	F09	F15	F16	F18	F21	F31	F33	RAL
FINISH	MATTE WHITE	GLOSS WHITE	PEWTER	MATTE BLACK	GLOSS BLACK	SATIN ALUMINUM	ARCH BRONZE	SILVER METALLIC	PYRITE BRONZE	CUSTOM (SPECIFY)

7.	DIML	DIME
DIMMING	STANDARD 0-10V (1%)	LUTRON HI-LUME (1%)

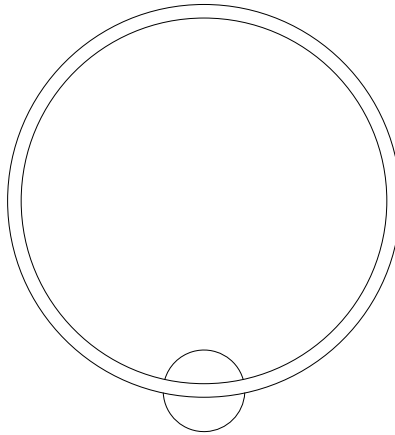
NOTE: SOME OPTIONS MAY NOT BE COMPATIBLE WITH OTHERS. ALL SPECIFICATIONS ARE SUBJECT TO CHANGE WITHOUT NOTICE. CONTACT TMS LIGHTING FOR UPDATED SPECIFICATIONS.

ORBITA™ 0 PENDANT



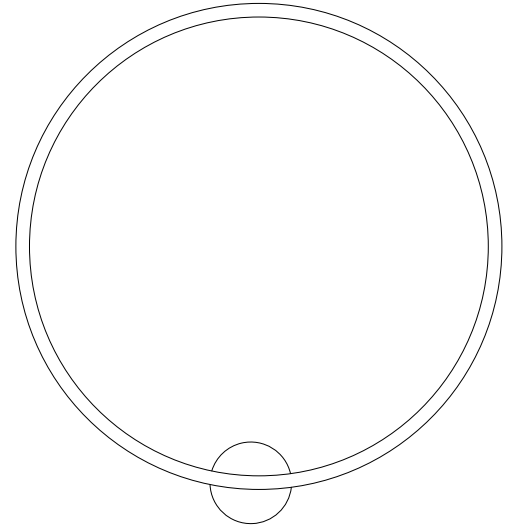
- MOUNTING POINTS: 3
- PS MOUNTING MIN DIST: 42"
- CANOPY DIAMETER: 10"
- WEIGHT: 20 LBS

36



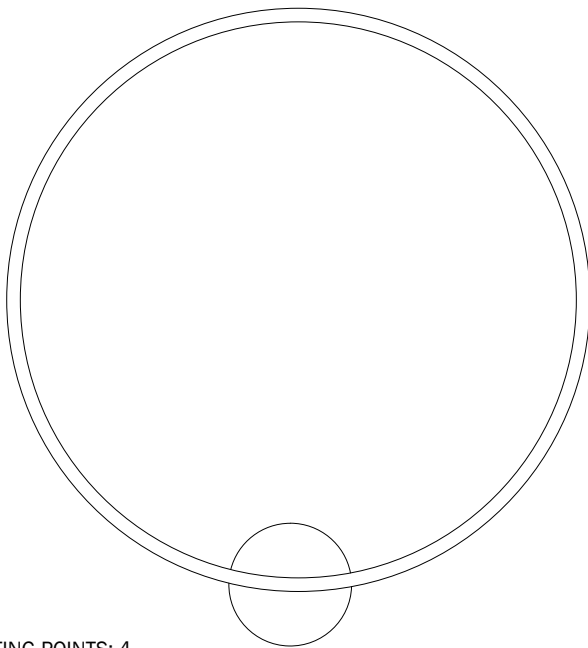
- MOUNTING POINTS: 3
- PS MOUNTING MIN DIST: 54"
- CANOPY DIAMETER: 10"
- WEIGHT: 25 LBS

48



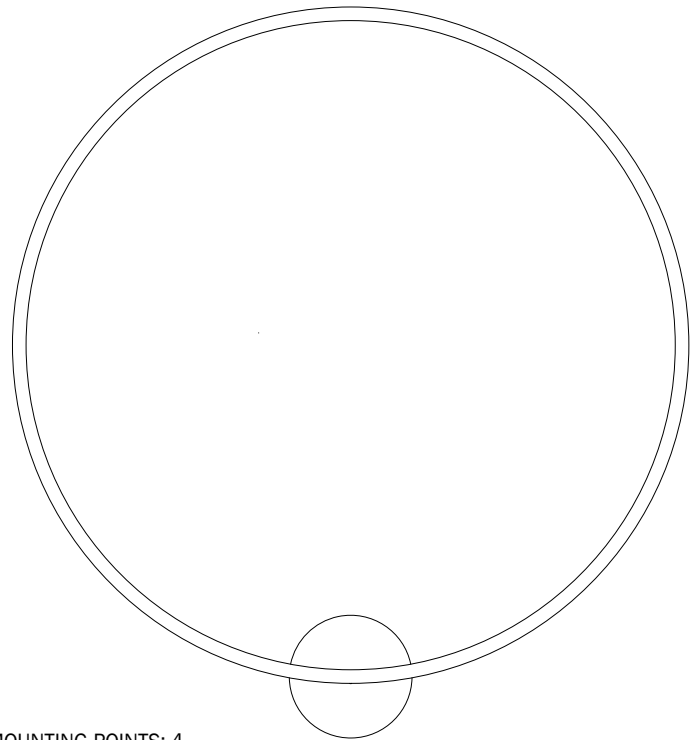
- MOUNTING POINTS: 4
- PS MOUNTING MIN DIST: 66"
- CANOPY DIAMETER: 10"
- WEIGHT: 30 LBS

60



- MOUNTING POINTS: 4
- PS MOUNTING MIN DIST: 78"
- CANOPY DIAMETER: 15"
- WEIGHT: 35 LBS

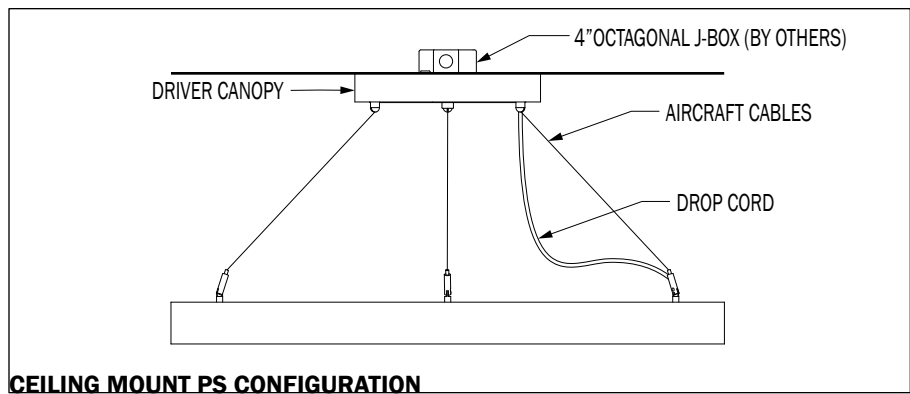
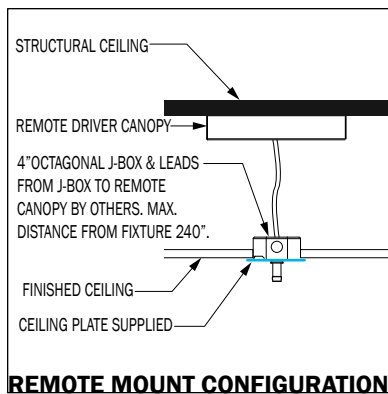
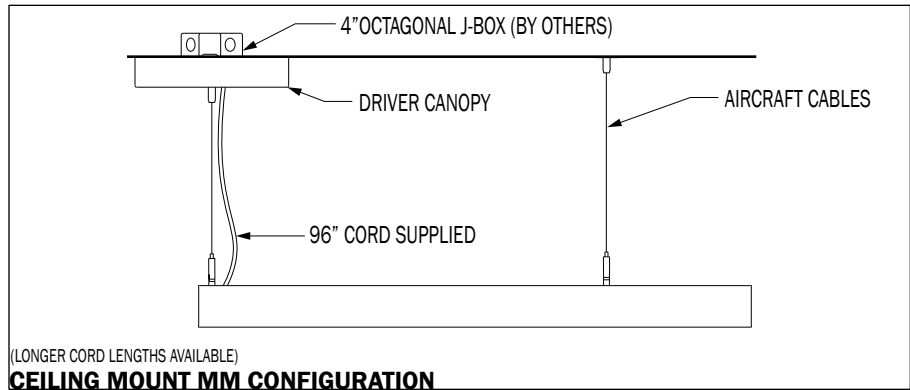
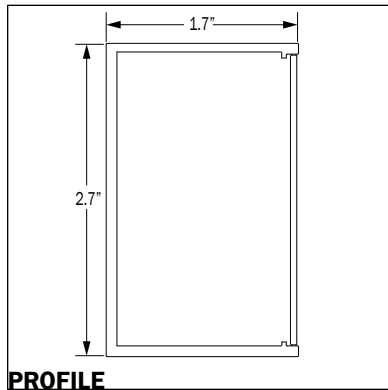
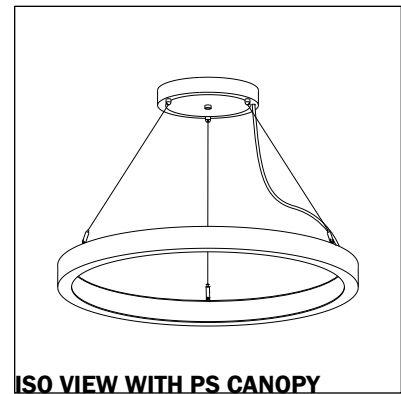
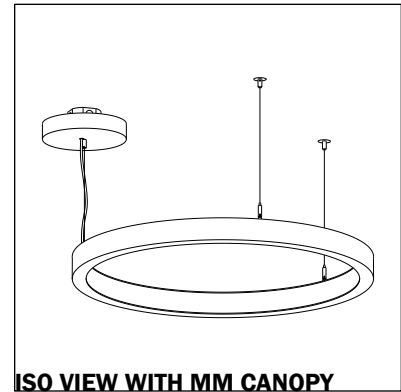
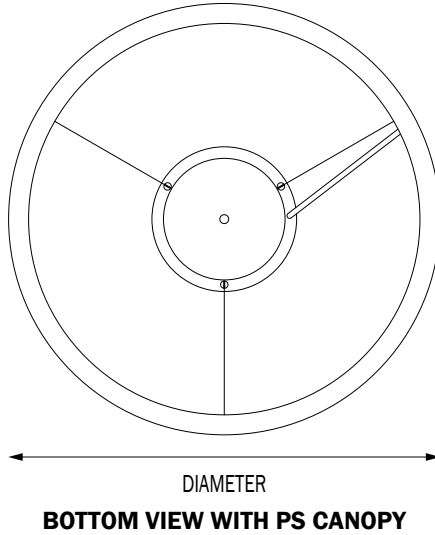
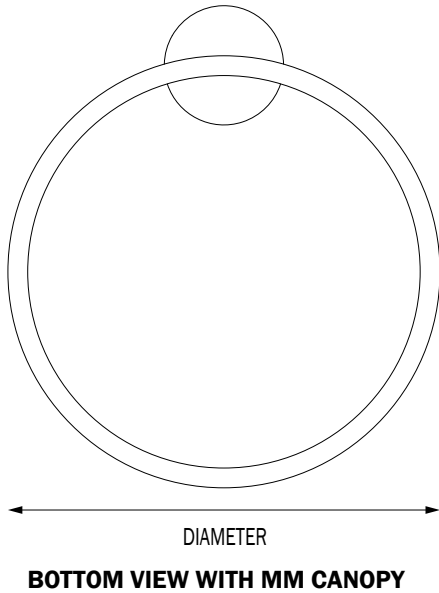
72



- MOUNTING POINTS: 4
- PS MOUNTING MIN DIST: 96"
- CANOPY DIAMETER: 15"
- WEIGHT: 40 LBS

84

DIMENSIONAL DIAGRAMS

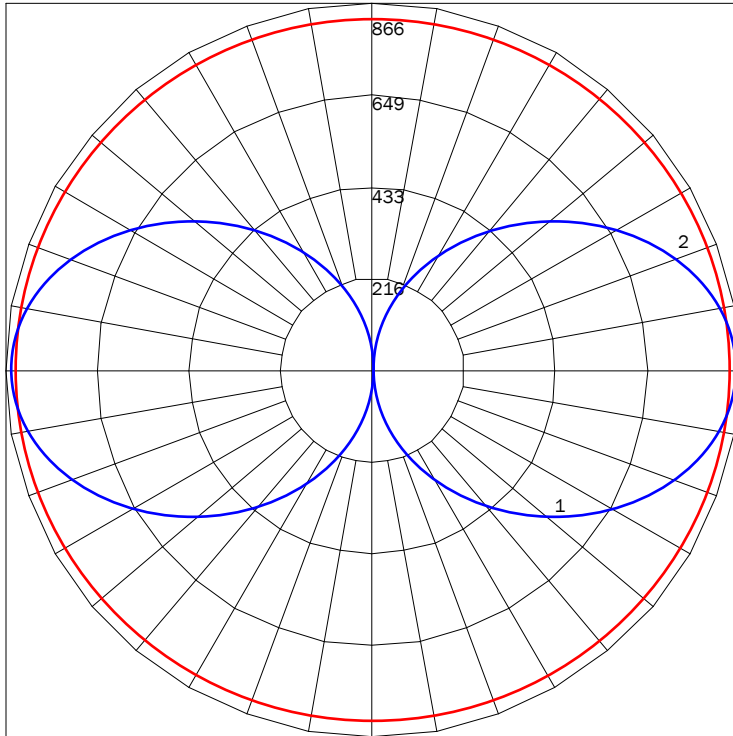


ORBITA™ 0 PENDANT

PN (INCH)	LUMENS	WATTAGE
36 (36")	7458	71
48 (48")	10096	97
60 (60")	12568	121
72 (72")	15185	146
84 (84")	18363	177

IES INDOOR REPORT
PHOTOMETRIC FILENAME : 9910RO 36 35K F05.IES

POLAR GRAPH

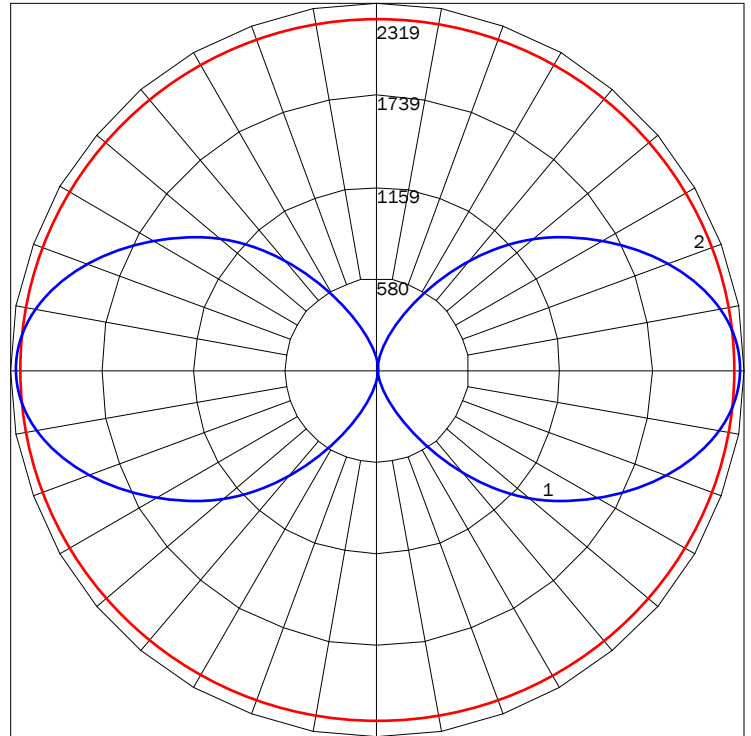


MAXIMUM CANDELA = 865.78 - LOCATED AT HORIZONTAL ANGLE = 67.5, VERTICAL ANGLE = 90
 # 1 - VERTICAL PLANE THROUGH HORIZONTAL ANGLES (67.5 - 247.5) (THROUGH MAX. CD.)
 # 2 - HORIZONTAL CONE THROUGH VERTICAL ANGLE (90) (THROUGH MAX. CD.)

LUMINAIRE LUMENS 7458
TOTAL LUMINAIRE EFFICIENCY 75%
LUMINAIRE EFFECIENCY RATING 105
TOTAL LUMINAIRE WATTS 71

IES INDOOR REPORT
PHOTOMETRIC FILENAME : 9910RO 84 35K F05.IES

POLAR GRAPH



MAXIMUM CANDELA = 2318.86 - LOCATED AT HORIZONTAL ANGLE = 45, VERTICAL ANGLE = 90
 # 1 - VERTICAL PLANE THROUGH HORIZONTAL ANGLES (45 - 225) (THROUGH MAX. CD.)
 # 2 - HORIZONTAL CONE THROUGH VERTICAL ANGLE (90) (THROUGH MAX. CD.)

LUMINAIRE LUMENS 18363
TOTAL LUMINAIRE EFFICIENCY 74%
LUMINAIRE EFFECIENCY RATING 104
TOTAL LUMINAIRE WATTS 177

AVAILABLE FINISHES



F04
MATTE
WHITE



F05
GLOSS
WHITE



F09
PEWTER



F15
MATTE
BLACK



F16
GLOSS
BLACK



F18
SATIN
ALUMINUM



F21
ARCH
BRONZE



F31
SILVER
METALLIC



F33
PYRITE
BRONZE



RAL
CUSTOM
COLOR
(RAL #)

NOTE: DISPLAYED FINISHES DIFFER BETWEEN SCREENS AS WELL AS PRINTERS AND MAY NOT ACCURATELY DEPICT COLOR.