

ORBITA™ O CEILING

PROJECT: _____

TYPE: _____

QUANTITY: _____



PN: 9910ROC



APPLICATION	<ul style="list-style-type: none">• INDIRECT/DIRECT CEILING• INDOOR RATED
DIMENSION	<ul style="list-style-type: none">• 36", 48", 60", 72", 84"
ILLUMINATION	<ul style="list-style-type: none">• LED 90CRI• 7196 - 17648 LUMENS
ELECTRICAL	<ul style="list-style-type: none">• 120 - 277V• 6K SURGE SUPPRESSION STANDARD
DIFFUSERS	<ul style="list-style-type: none">• HIGH EFFICIENCY ACRYLIC
MOUNTING	<ul style="list-style-type: none">• CANOPY MOUNTED OR REMOTE MOUNTED DRIVERS
CONSTRUCTION	<ul style="list-style-type: none">• ALUMINUM
FINISHES	<ul style="list-style-type: none">• AVAILABLE IN SEVERAL TMS POLYESTER POWDER COATED FINISHES• CUSTOM RAL FINISHES AVAILABLE
DIMMING	<ul style="list-style-type: none">• 0-10V STANDARD
WEIGHT	<ul style="list-style-type: none">• 20-40 LBS MAXIMUM



INDIRECT/
DIRECT

TMSLIGHTING



ORBITA™ O CEILING



PROJECT: _____

TYPE: _____

QUANTITY: _____

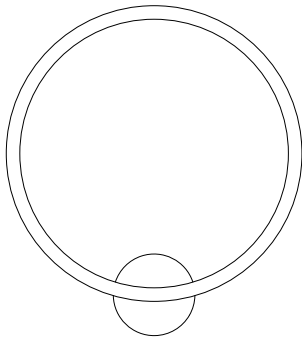
9910ROC

1 2 3 4 5 6

1.	36	48	60	72	84					
DIA (INCH)	36"	48"	60"	72"	84"					
LED (W)	71	97	121	146	177					
LUMEN	7458	10096	12568	15185	18363					
2.	30K		35K		40K					
CCT	3000		3500		4000					
3.	120		277			UNI				
VOLTAGE	120V		277V			120-277V				
4.	CD					RM				
CIRCUITS	CANOPY MOUNT					REMOTE MOUNT				
5.	F04	F05	F09	F15	F16	F18	F21	F31	F33	RAL
FINISH	MATTE WHITE	GLOSS WHITE	PEWTER	MATTE BLACK	GLOSS BLACK	SATIN ALUMINUM	ARCH BRONZE	SILVER METALLIC	PYRITE BRONZE	CUSTOM (SPECIFY)
6.	DIML					DIME				
DIMMING	STANDARD 0-10V (1%)					LUTRON HI-LUME (1%)				

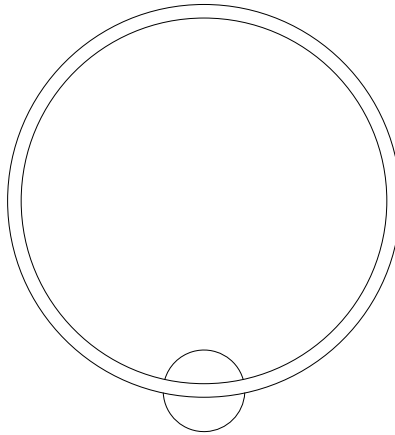
NOTE: SOME OPTIONS MAY NOT BE COMPATIBLE WITH OTHERS. ALL SPECIFICATIONS ARE SUBJECT TO CHANGE WITHOUT NOTICE. CONTACT TMS LIGHTING FOR UPDATED SPECIFICATIONS.

ORBITA™ O CEILING



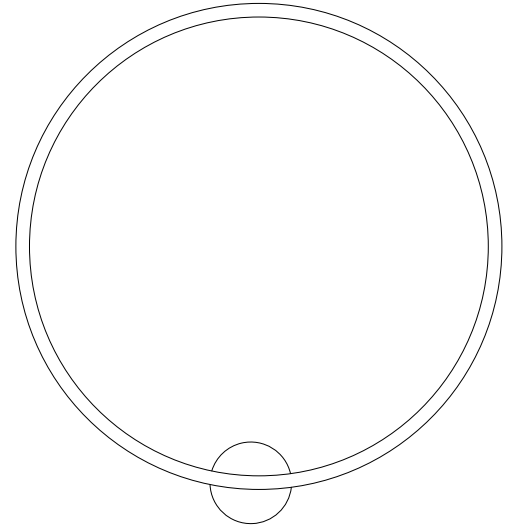
- MOUNTING POINTS: 3
- CANOPY DIAMETER: 10"
- WEIGHT: 20 LBS

36



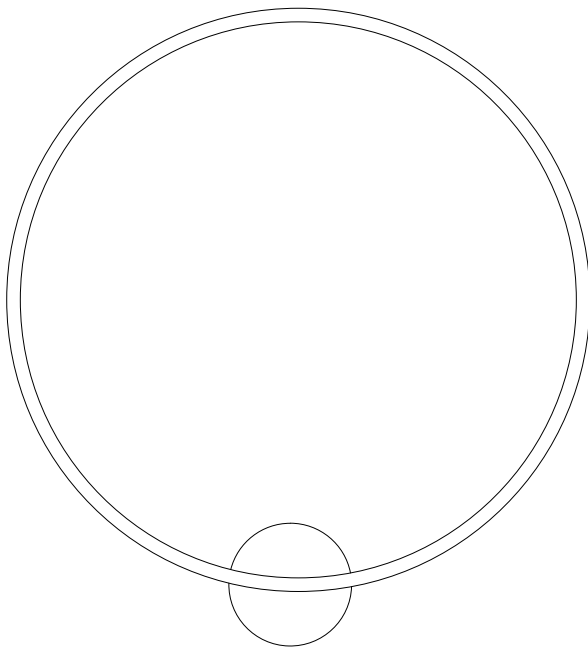
- MOUNTING POINTS: 3
- CANOPY DIAMETER: 10"
- WEIGHT: 25 LBS

48



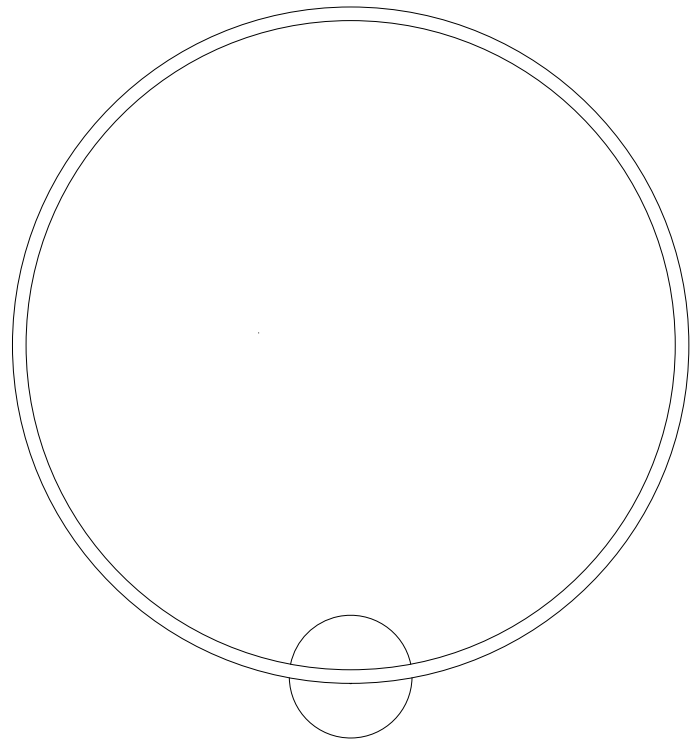
- MOUNTING POINTS: 4
- CANOPY DIAMETER: 10"
- WEIGHT: 30 LBS

60



- MOUNTING POINTS: 4
- CANOPY DIAMETER: 15"
- WEIGHT: 35 LBS

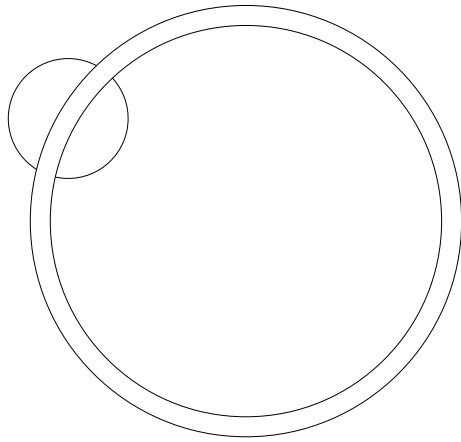
72



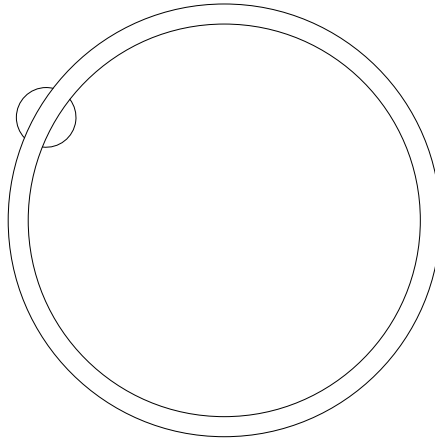
- MOUNTING POINTS: 4
- CANOPY DIAMETER: 15"
- WEIGHT: 40 LBS

84

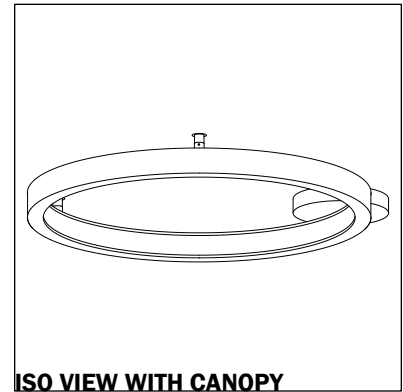
DIMENSIONAL DIAGRAMS



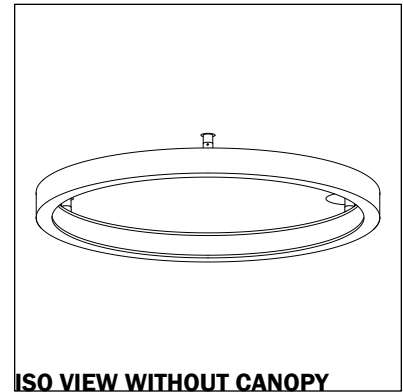
DIAMETER
BOTTOM VIEW WITH CANOPY



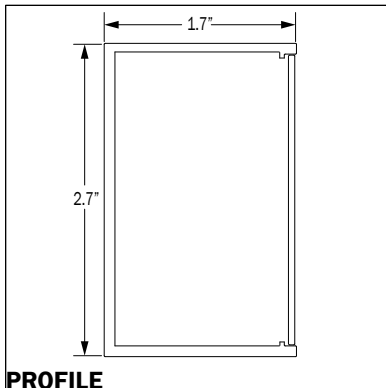
DIAMETER
BOTTOM VIEW WITHOUT CANOPY



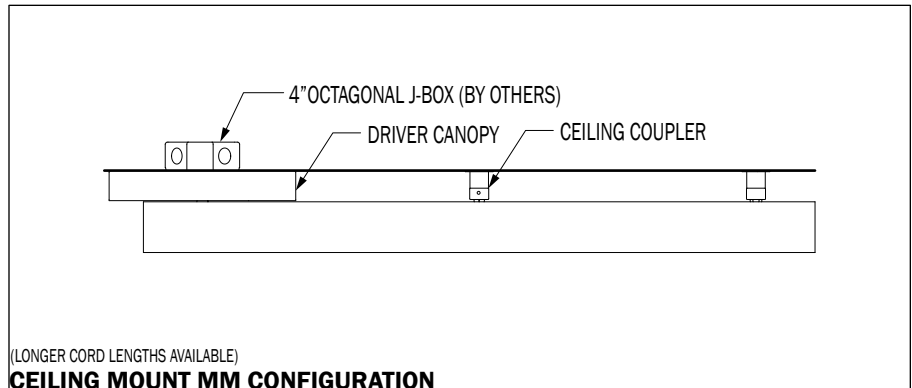
ISO VIEW WITH CANOPY



ISO VIEW WITHOUT CANOPY

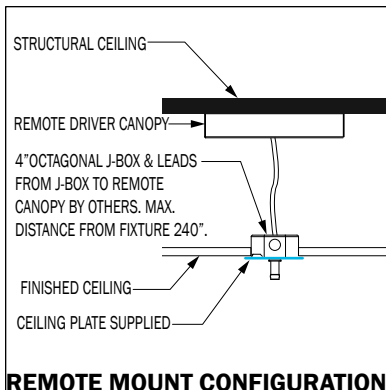


PROFILE

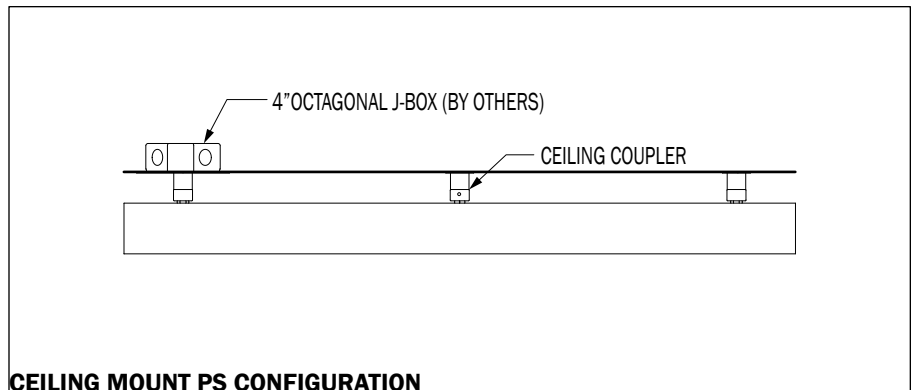


(LONGER CORD LENGTHS AVAILABLE)

CEILING MOUNT MM CONFIGURATION



REMOTE MOUNT CONFIGURATION

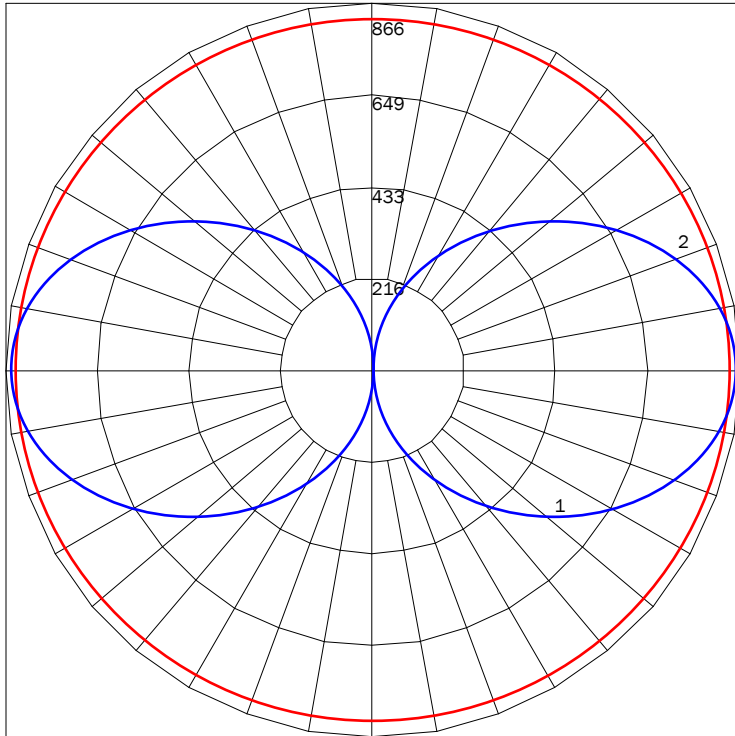


CEILING MOUNT PS CONFIGURATION

PN (INCH)	LUMENS	WATTAGE
36 (36")	7458	71
48 (48")	10096	97
60 (60")	12568	121
72 (72")	15185	146
84 (84")	18363	177

IES INDOOR REPORT
PHOTOMETRIC FILENAME : 9910ROC 36 35K F05.IES

POLAR GRAPH

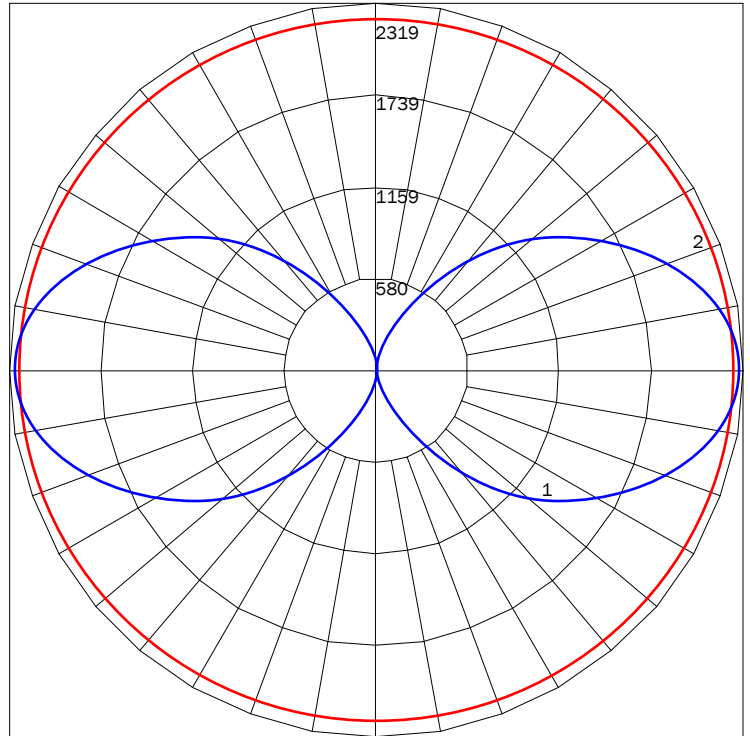


MAXIMUM CANDELA = 865.78 LOCATED AT HORIZONTAL ANGLE = 67.5, VERTICAL ANGLE = 90
 # 1 - VERTICAL PLANE THROUGH HORIZONTAL ANGLES (67.5 - 247.5) (THROUGH MAX. CD.)
 # 2 - HORIZONTAL CONE THROUGH VERTICAL ANGLE (90) (THROUGH MAX. CD.)

LUMINAIRE LUMENS	7458
TOTAL LUMINAIRE EFFICIENCY	75%
LUMINAIRE EFFECIENCY RATING	105
TOTAL LUMINAIRE WATTS	71

IES INDOOR REPORT
PHOTOMETRIC FILENAME : 9910ROC 84 35K F05.IES

POLAR GRAPH



MAXIMUM CANDELA = 2318.86 LOCATED AT HORIZONTAL ANGLE = 45, VERTICAL ANGLE = 90
 # 1 - VERTICAL PLANE THROUGH HORIZONTAL ANGLES (45 - 225) (THROUGH MAX. CD.)
 # 2 - HORIZONTAL CONE THROUGH VERTICAL ANGLE (90) (THROUGH MAX. CD.)

LUMINAIRE LUMENS	18363
TOTAL LUMINAIRE EFFICIENCY	74%
LUMINAIRE EFFECIENCY RATING	104
TOTAL LUMINAIRE WATTS	177

AVAILABLE FINISHES



F04
MATTE
WHITE



F05
GLOSS
WHITE



F09
PEWTER



F15
MATTE
BLACK



F16
GLOSS
BLACK



F18
SATIN
ALUMINUM



F21
ARCH
BRONZE



F31
SILVER
METALLIC



F33
PYRITE
BRONZE



RAL
CUSTOM
COLOR
(RAL #)

NOTE: DISPLAYED FINISHES DIFFER BETWEEN SCREENS AS WELL AS PRINTERS AND MAY NOT ACCURATELY DEPICT COLOR.