

NAUTIC™ PENDANT

PROJECT: _____

TYPE: _____

QUANTITY: _____



PN: NAU

APPLICATION	<ul style="list-style-type: none"> • PENDANT MOUNT • INDOOR OR OUTDOOR RATED
DIMENSION	<ul style="list-style-type: none"> • 14", 16", 18", 20", 22", 24" (36CM, 41CM, 46CM, 51CM, 56CM, 61CM)
ILLUMINATION	<ul style="list-style-type: none"> • DIRECT • LED 90CRI • 913 - 1,518 LUMENS
ELECTRICAL	<ul style="list-style-type: none"> • 120V, 277V AND 347V • 10KA SURGE SUPPRESSION STANDARD
DIFFUSERS	<ul style="list-style-type: none"> • CLEAR OR FROSTED, ELONGATED GLASS GLOBE
MOUNTING	<ul style="list-style-type: none"> • 120" (305CM) BLACK OR WHITE DROP CORD W/ AIRCRAFT CABLE (OPTIONAL) • 1" TO 60" (2.5CM TO 152CM) STEM MOUNT
CONSTRUCTION	<ul style="list-style-type: none"> • ALUMINUM, BRUSHED COPPER OR STAINLESS STEEL
FINISHES	<ul style="list-style-type: none"> • AVAILABLE IN SEVERAL TMS SPECIALTY, AND POWDER COATED FINISHES
DIMMING	<ul style="list-style-type: none"> • 0 - 10V STANDARD DIMMING
WEIGHT	<ul style="list-style-type: none"> • 9.25 LBS MAXIMUM





NAUTIC™ PENDANT

PROJECT: _____

TYPE: _____

QUANTITY: _____

NAU - 1 - 2 - 3 - 4 - 5 - 6 - 7 - 8 - 9 - 10 - 11 - 12 - 13

1.	I					O						
APPLICATION	INDOOR					OUTDOOR						
2.	14	16	18	20	22	24						
DIAMETER	14"DIA. (36CM)	16"DIA. (41CM)	18"DIA. (46CM)	20"DIA. (51CM)	22"DIA. (56CM)	24"DIA. (61CM)						
3.	100IN			15LED			19LED					
ILLUMINATION	MED BASE (MAX 100W INC)			15W LED			19W LED					
4.	CRD	C01	C06	C12	C18	C24	C36	C48	C60			
MOUNTING	120"(305CM) DROP CORD	1"(2.5CM) STEM MOUNT	6"(15CM) STEM MOUNT	12"(31CM) STEM MOUNT	18"(46CM) STEM MOUNT	24"(61CM) STEM MOUNT	36"(91CM) STEM MOUNT	48"(122CM) STEM MOUNT	60"(152CM) STEM MOUNT			
5.	---			BC			WC					
CORD	NONE			BLACK DROP CORD			WHITE DROP CORD					
6.	---		30K		35K		40K					
LED CCT	NONE		3000K		3500K		4000K					
7.	120			277			347					
VOLTAGE	120V			277V			347V					
8.	ADDITIONAL AND PREMIUM FINISHES AVAILABLE. SEE FINISHES CHART			F04	F05	F15	F16	F09	F31	F18		
FINISH ¹												
				F06	F07	F08	F10	F11	F13	F14	F21	F22
	CLAY BROWN	ZEUS BROWN	MIDNIGHT BLUE	FIRE RED	CITRUS ORANGE	FOREST GREEN	SUNSHINE YELLOW	ARCH. BRONZE	HARVEST GOLD	MELTED PLATINUM		
9.	G1			G2			G9					
GLOBE/ LENS	CLEAR, ELONGATED GLOBE			FROSTED GLOBE			CLEAR, ELONGATED, LARGE GLOBE					
10.	---					DIML						
DIMMING	NONE					LED DIMMING (0 - 10V, CURRENT - SINKING)						
11.	---		EM		EMC		EMR		EMCR			
EMERGENCY ²	NONE		INTEGRAL		INTEGRAL COLD PACK		REMOTE		REMOTE COLD PACK			
12.	---			BL			ACC					
MOUNTING ³ ACCESSORIES	NONE			CEILING SLOPE ADAPTER FOR STEM MOUNT (30°)			AIRCRAFT CABLE FOR DROP CORDS					
13.	---			W1V			W2V					
WIRE GUARD	NONE			W1V WIRE GUARD			W2V WIRE GUARD					

1. A CLEAR COAT IS APPLIED TO COPPER. PATINA WILL FORM OVER TIME

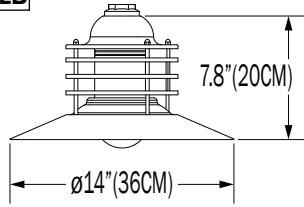
3. MAY REQUIRE TO COMPLY WITH LOCAL SEISMIC/EARTHQUAKE CODE

2. 10W AT 90 MINUTES. EMERGENCY OPTION IS ONLY AVAILABLE IN 120 - 277 SYSTEMS

NOTE: SOME OPTIONS MAY NOT BE COMPATIBLE WITH OTHERS. ALL SPECIFICATIONS ARE SUBJECT TO CHANGE WITHOUT NOTICE. CONTACT TMS LIGHTING FOR UPDATED SPECIFICATIONS.

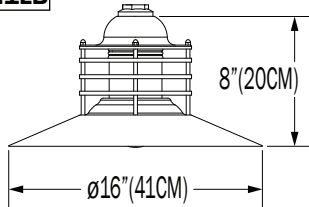
NAU - 14"

4.5LB



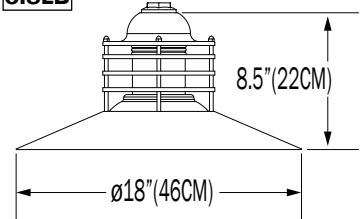
NAU - 16"

5.1LB



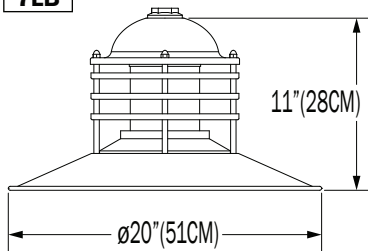
NAU - 18"

5.8LB



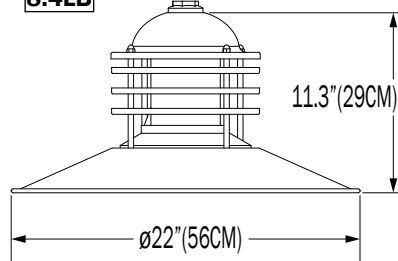
NAU - 20"

7LB



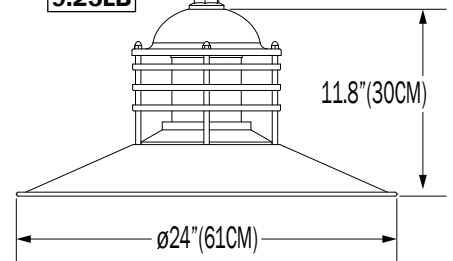
NAU - 22"

8.4LB



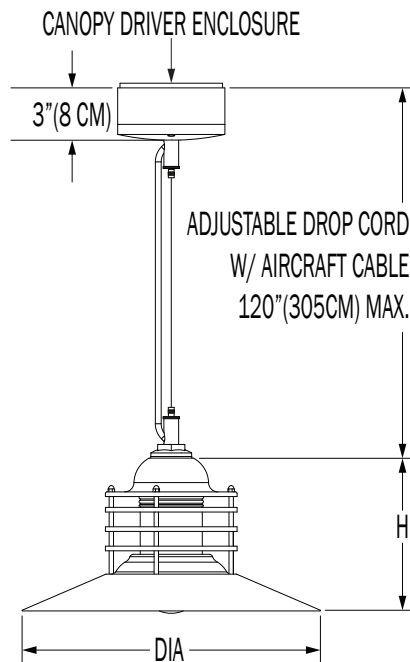
NAU - 24"

9.25LB

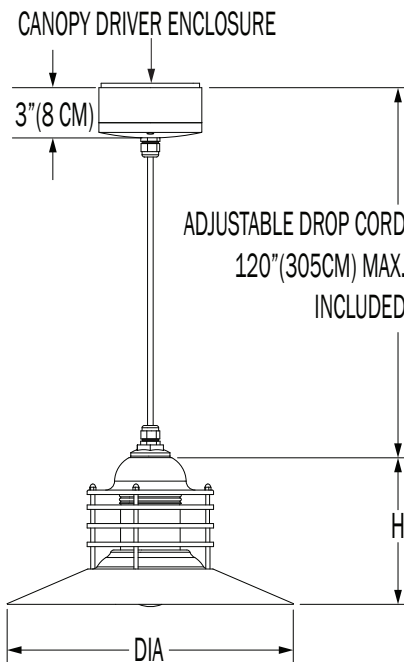


REFLECTORS

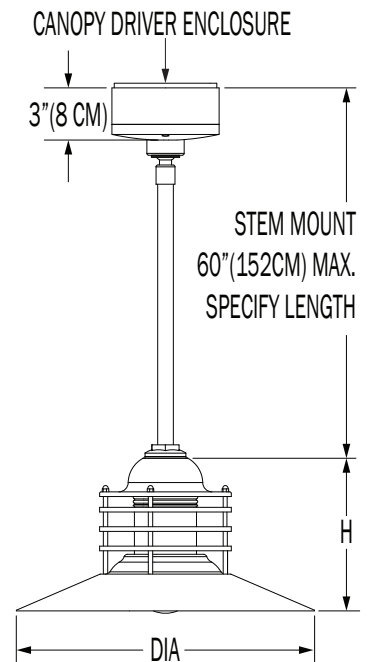
**DROP CORD MOUNT
W/ AIRCRAFT CABLE**



DROP MOUNT CORD



STEM MOUNT



CUSTOM

NOTE: THIS FIXTURE CAN BE CUSTOMIZE. DIMENSION, LAMP TYPES, ENCLOSURE, AND COLOR CAN BE MODIFIED TO SUIT YOUR LIGHTING AND ARCHITECTURAL REQUIREMENTS. CONTACT YOUR LOCAL REPRESENTATIVE FOR MORE DETAILS: <https://tmslighting.com/sales-agents.html>

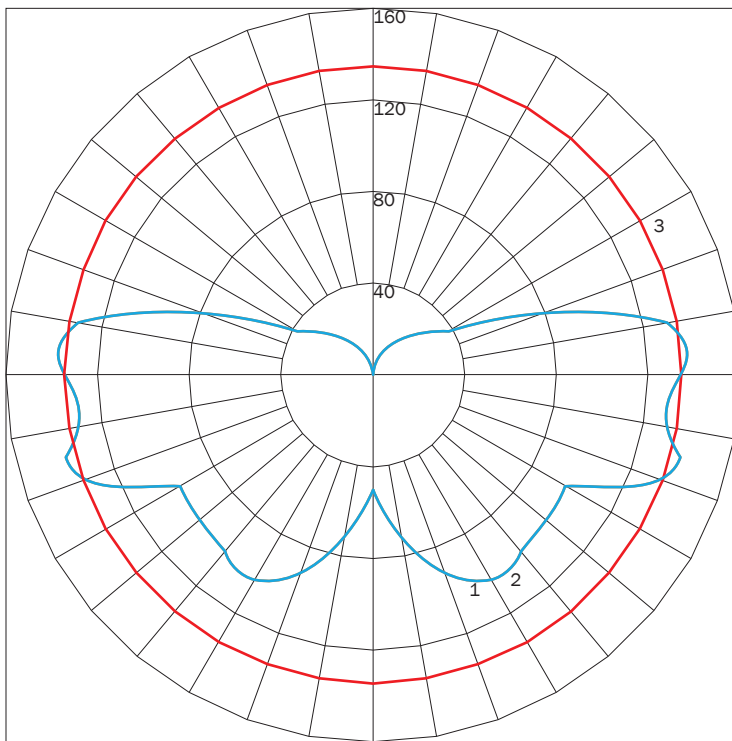
DIRECT

PN	(DIA)	FINISH	ILLUMINATION	LUMENS	WATTAGE
NAU	14	C0	100IN	1091	100
			15LED	1136	15
		F05	1325	15	
	16	C0	100IN	913	100
			15LED	918	15
		F05	1242	15	
	18	C0	15LED	1327	15
			F05	1112	15
	20	C0	19LED	1217	15
			F05	1282	19
	22	C0	19LED	1518	19
			F05	1281	19
	24	C0	19LED	1508	19
				1297	19

IES INDOOR REPORT

PHOTOMETRIC FILENAME : NAU14 100IN CO.IES

POLAR GRAPH



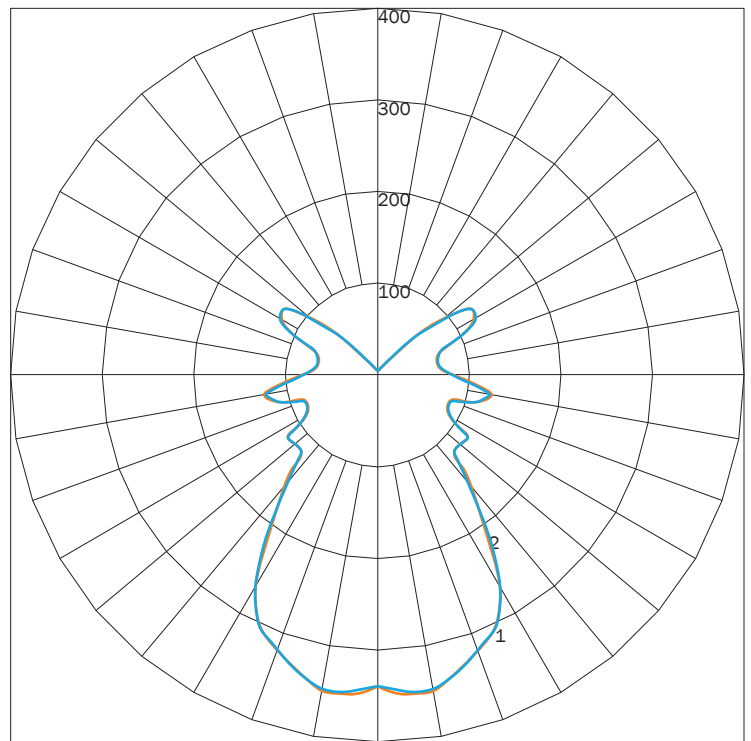
MAXIMUM CANDELA = 138.989 LOCATED AT HORIZONTAL ANGLE = 0, VERTICAL ANGLE = 95
 # 1 - VERTICAL PLANE THROUGH HORIZONTAL ANGLES (90 - 270)
 # 2 - VERTICAL PLANE THROUGH HORIZONTAL ANGLES (0 - 180)
 # 3 - HORIZONTAL CONE THROUGH VERTICAL ANGLES (90)

LUMINAIRE LUMENS 1091
TOTAL LUMINAIRE EFFICIENCY 64%
LUMINAIRE EFFICACY RATING 11
TOTAL LUMINAIRE WATTS 100

IES INDOOR REPORT

PHOTOMETRIC FILENAME : NAU24 19LED CO.IES

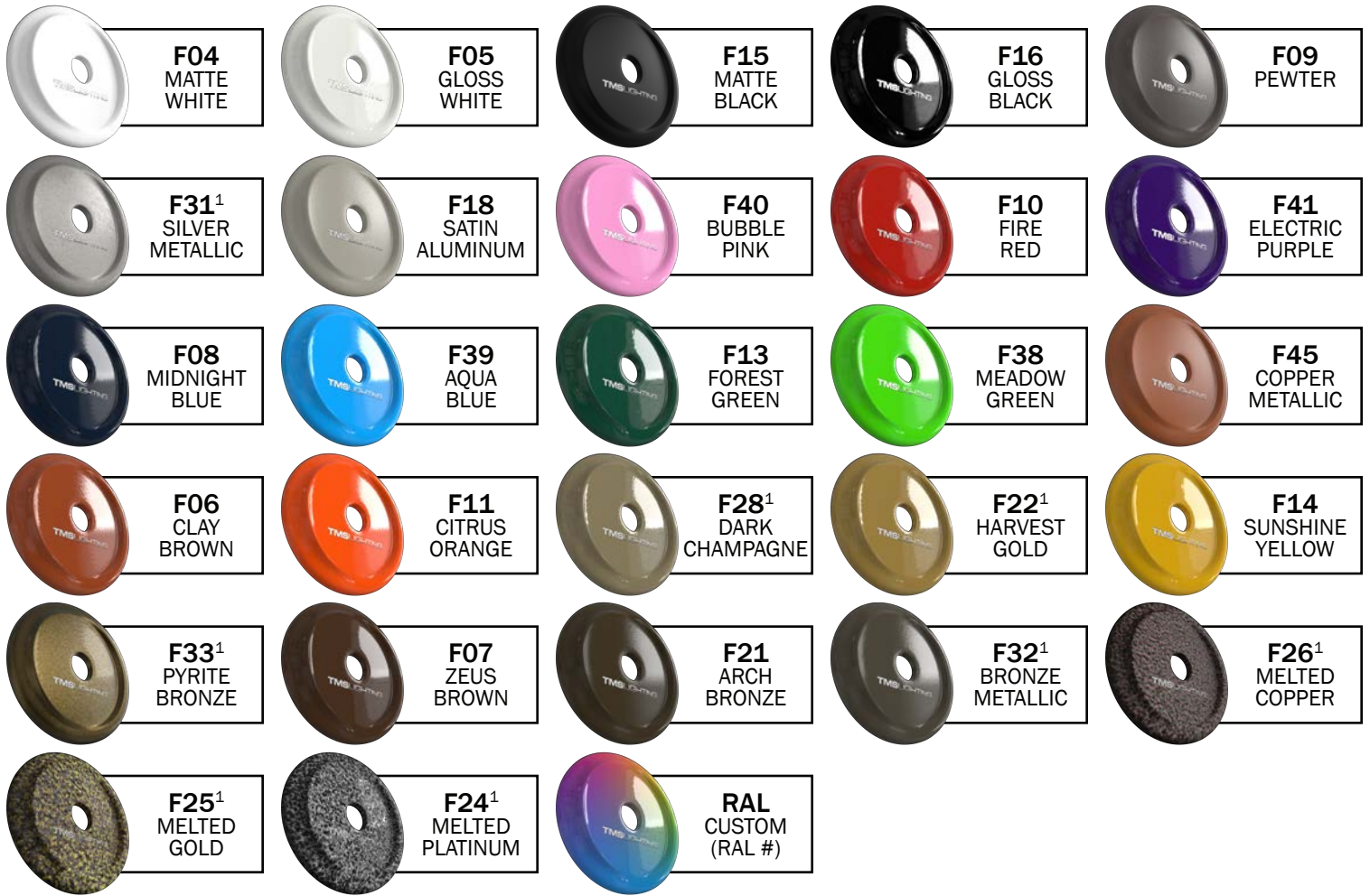
POLAR GRAPH



MAXIMUM CANDELA = 356.67 LOCATED AT HORIZONTAL ANGLE = 150, VERTICAL ANGLE = 5
 # 1 - VERTICAL PLANE THROUGH HORIZONTAL ANGLES (90 - 270)
 # 2 - VERTICAL PLANE THROUGH HORIZONTAL ANGLES (0 - 180)

LUMINAIRE LUMENS 1297
TOTAL LUMINAIRE EFFICIENCY 61%
LUMINAIRE EFFICACY RATING 60
TOTAL LUMINAIRE WATTS 21

FINISHES



PREMIUM FINISHES



PREMIUM MATERIALS



1: FINISHES IS APPLIED TO THE INTERIOR AND EXTERIOR OF THE FIXTURE.

2: MATERIALS ARE CONSISTENT (INTERIOR & EXTERIOR). STEMS AND CANOPIES WILL BE F16 GLOSS BLACK.

NOTE: ALL FINISHES NOT MARKED WITH NOTATION (1) ARE APPLIED TO THE EXTERIOR ONLY. THE INTERIOR WILL BE F05 GLOSS WHITE.

MATTE FINISHES AVAILABLE. CONSULT FACTORY.

FINISHES ARE SUBJECT TO AVAILABILITY AND MAY NOT BE APPLICABLE TO ALL FIXTURES OR FOR QUICKSHIP.

DISPLAYED FINISHES DIFFER BETWEEN SCREENS AS WELL AS PRINTERS AND MAY NOT ACCURATELY DEPICT COLOR.