

MELLO™ PENDANT

PROJECT: _____

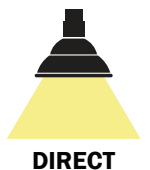
TYPE: _____

QUANTITY: _____



PN: MEL

APPLICATION	<ul style="list-style-type: none">• PENDANT MOUNT• INDOOR OR OUTDOOR RATED
DIMENSION	<ul style="list-style-type: none">• 8", 10", 12" (20CM, 25CM, 30CM)
ILLUMINATION	<ul style="list-style-type: none">• DIRECT• LED 90CRI• 953 - 1,858 LUMENS
ELECTRICAL	<ul style="list-style-type: none">• 120 - 277V (347V CONSULT FACTORY)• 10kA SURGE SUPPRESSION STANDARD
DIFFUSERS	<ul style="list-style-type: none">• CLEAR, PRISMATIC GLASS GLOBE
MOUNTING	<ul style="list-style-type: none">• 120" (305CM) BLACK OR WHITE DROP CORD W/ AIRCRAFT CABLE• 1" TO 60" (2.5CM TO 152CM) STEM MOUNT
CONSTRUCTION	<ul style="list-style-type: none">• ALUMINUM
FINISHES	<ul style="list-style-type: none">• AVAILABLE IN SEVERAL TMS SPECIALTY, AND POWDER COATED FINISHES• CUSTOM RAL FINISHES AVAILABLE
DIMMING	<ul style="list-style-type: none">• 0 - 10V STANDARD DIMMING (1%)
WEIGHT	<ul style="list-style-type: none">• 5.25 LBS MAXIMUM



DIRECT

MELLO™ PENDANT



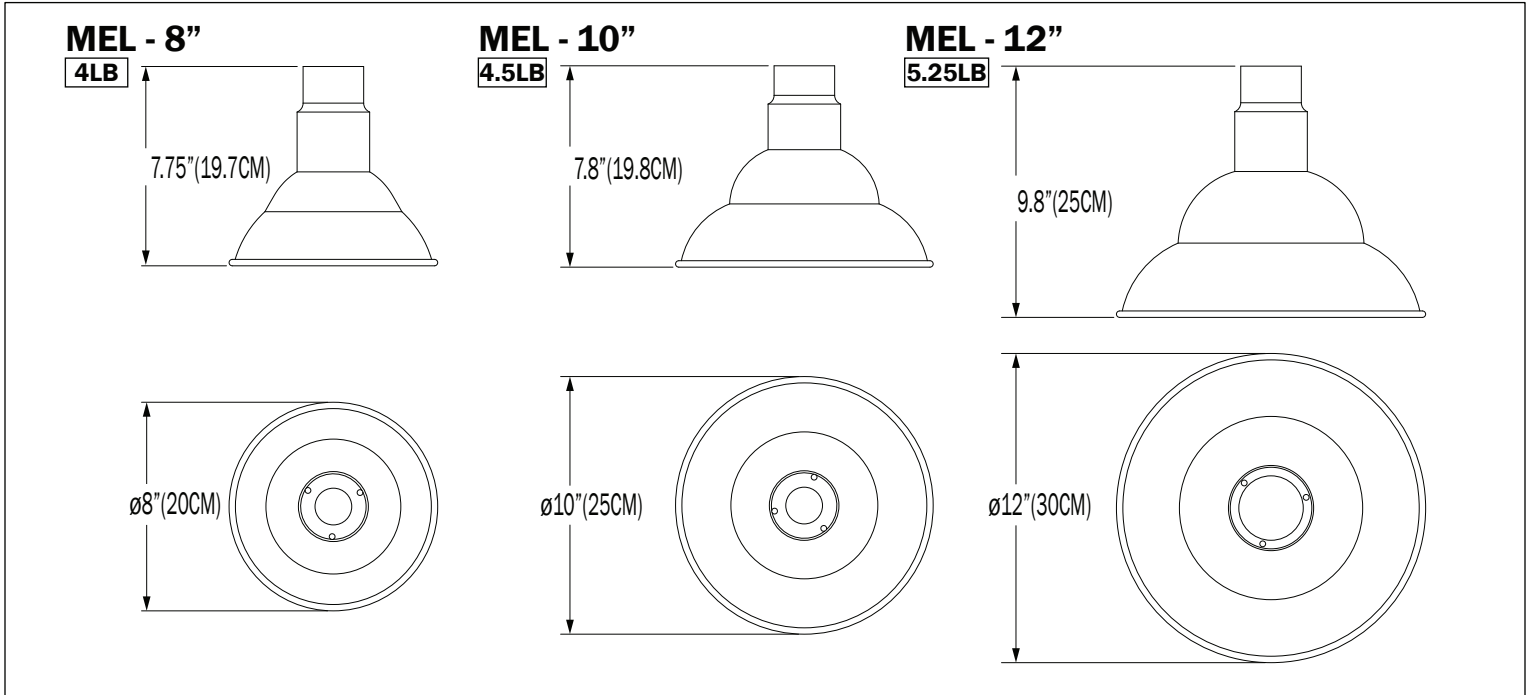
PROJECT: _____
 TYPE: _____
 QUANTITY: _____

MEL - 1 - 2 - 3 - 4 - 5 - 6 - 7 - 8 - 9 - 10 - 11 - 12 - 13

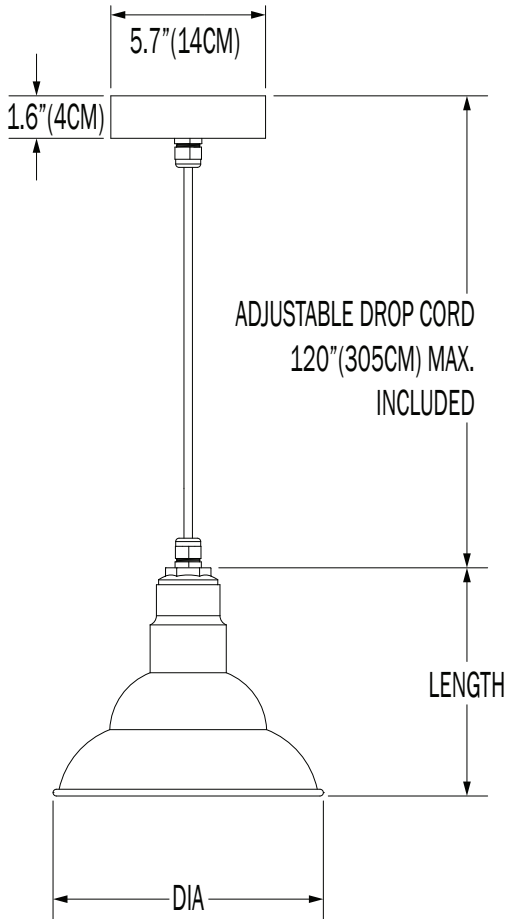
1.	I					O						
APPLICATION	INDOOR					OUTDOOR						
2.	8¹			10¹			12					
DIAMETER	8" DIA. (20CM)			10" DIA. (25CM)			12" DIA. (31CM)					
3.	100IN		15LED		17LED		19LED					
ILLUMINATION ²	MED BASE (MAX 100W INC)		15W LED		17W LED PAR38 E26 MED. BASE, 4000K, 60°		19W LED					
4.	CRD	C01	C06	C12	C18	C24	C36	C48	C60			
MOUNTING	120"(305CM) DROP CORD	1"(2.5CM) STEM MOUNT	6"(15CM) STEM MOUNT	12"(31CM) STEM MOUNT	18"(46CM) STEM MOUNT	24"(61CM) STEM MOUNT	36"(91CM) STEM MOUNT	48"(122CM) STEM MOUNT	60"(152CM) STEM MOUNT			
5.	BC					WC						
CORD	BLACK DROP CORD					WHITE DROP CORD						
6.	---		30K			35K		40K				
LED CCT	NONE		3000K			3500K		4000K				
7.	120			277			347					
VOLTAGE	120V			277V			347V					
8.	ADDITIONAL AND PREMIUM FINISHES AVAILABLE. SEE FINISHES CHART			F04	F05	F15	F16	F09	F31	F18		
FINISH ³				---	---	---	---	---	---	---	---	---
				---	---	---	---	---	---	---	---	---
	F06	F07	F08	F10	F11	F13	F14	F21	F22	F23		
	CLAY BROWN	ZEUS BROWN	MIDNIGHT BLUE	FIRE RED	CITRUS ORANGE	FOREST GREEN	SUNSHINE YELLOW	ARCH. BRONZE	HARVEST GOLD	MELTED PLATINUM		
9.	---		G1	G2		G9	G11		G12			
GLOBE/ ⁴ LENS	NONE		CLEAR, ELONGATED GLOBE	FROSTED GLOBE		CLEAR, ELONGATED, LARGE GLOBE	CLEAR, ELONGATED, LARGE GLOBE		CLEAR, ELONGATED, LARGE GLOBE WITH CAST GUARD			
10.	---					DIML						
DIMMING ⁵	NONE					LED DIMMING (0 - 10V, CURRENT - SINKING)						
11.	---		EM		EMC		EMR		EMCR			
EMERGENCY ⁶	NONE		INTEGRAL		INTEGRAL COLD PACK		REMOTE		REMOTE COLD PACK			
12.	---			BL			ACC					
MOUNTING ⁷ ACCESSORIES	NONE			CEILING SLOPE ADAPTER FOR STEM MOUNT (30°)			AIRCRAFT CABLE FOR DROP CORDS					
13.	---		W8		W10		W12					
WIRE GUARD	NONE		8" (20CM) WIRE GUARD		10" (25CM) WIRE GUARD		12" (31CM) WIRE GUARD					

1. SIZES 8" AND 10" ARE NOT AVAILABLE FOR 19LED
 2. INCANDESCENT, METAL HALIDE SYSTEMS, AND 17W LED PAR LAMPS USES A MEDIUM BASE SOCKET (E26)
 3. A CLEAR COAT IS APPLIED TO COPPER. PATINA WILL FORM OVER TIME
 4. GLOBES ARE NOT AVAILABLE WITH THE 17W LED PAR 38 LAMPS
 5. DIMMING IS NOT AVAILABLE FOR OUTDOOR OF APPLICATIONS
 6. 10W AT 90 MINUTES. EMERGENCY OPTION IS ONLY AVAILABLE IN 120 - 277V SYSTEMS. NOT AVAILABLE WITH 17W LED PAR 38
 7. MAY REQUIRE TO COMPLY WITH LOCAL SEISMIC/EARTHQUAKE CODE

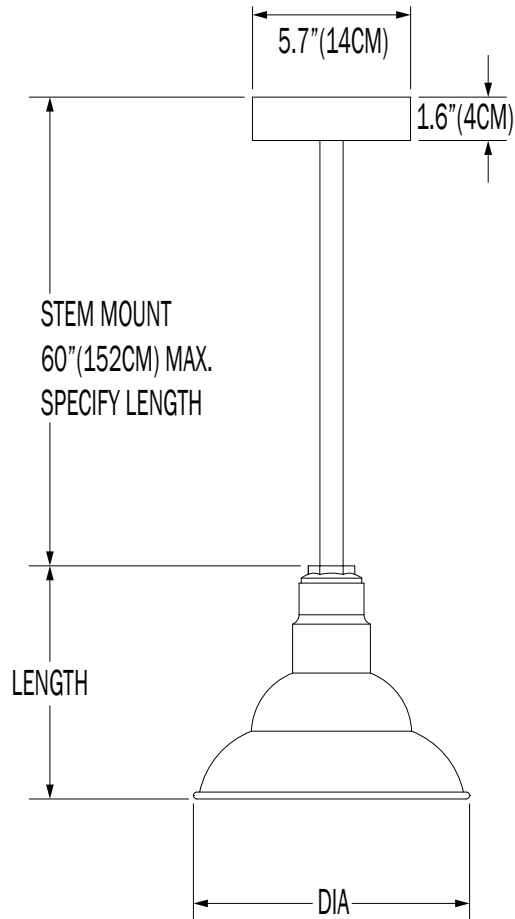
MELLO™ PENDANT



DROP CORD MOUNT



STEM MOUNT



CUSTOM

NOTE: THIS FIXTURE CAN BE CUSTOMIZE. DIMENSION, LAMP TYPES, ENCLOSURE, AND COLOR CAN BE MODIFIED TO SUIT YOUR LIGHTING AND ARCHITECTURAL REQUIREMENTS. CONTACT YOUR LOCAL REPRESENTATIVE FOR MORE DETAILS: <https://tmslighting.com/sales-agents.html>

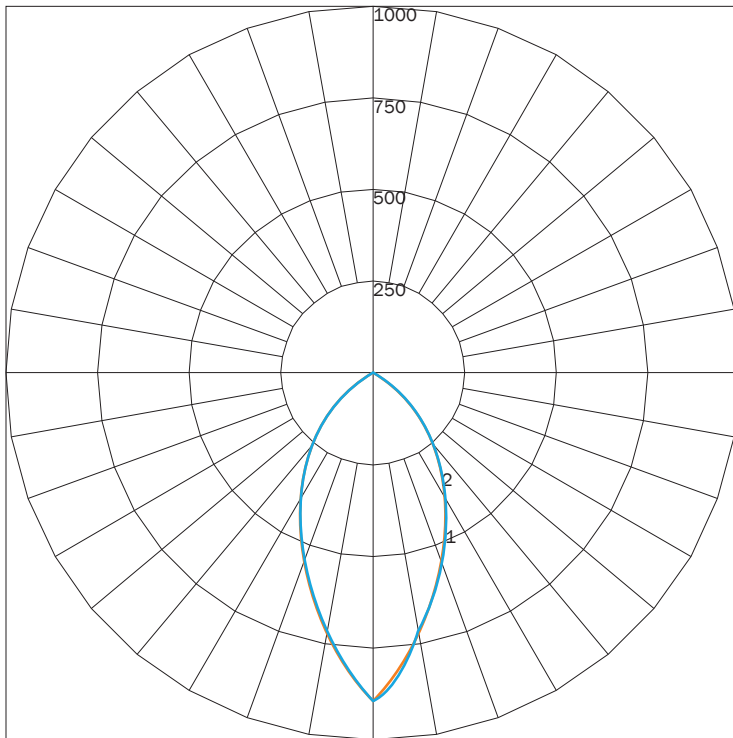
DIRECT

PN	SIZE (DIA)	ILLUMINATION	LUMENS	WATTAGE
MEL	8	100IN	952	100
		15LED	1130	15
	10	100IN	927	100
		15LED	1121	15
	12	100IN	305	100
		15LED	1087	15
		19LED	1858	19

IES INDOOR REPORT

PHOTOMETRIC FILENAME : MEL 8 100IN.IES

POLAR GRAPH



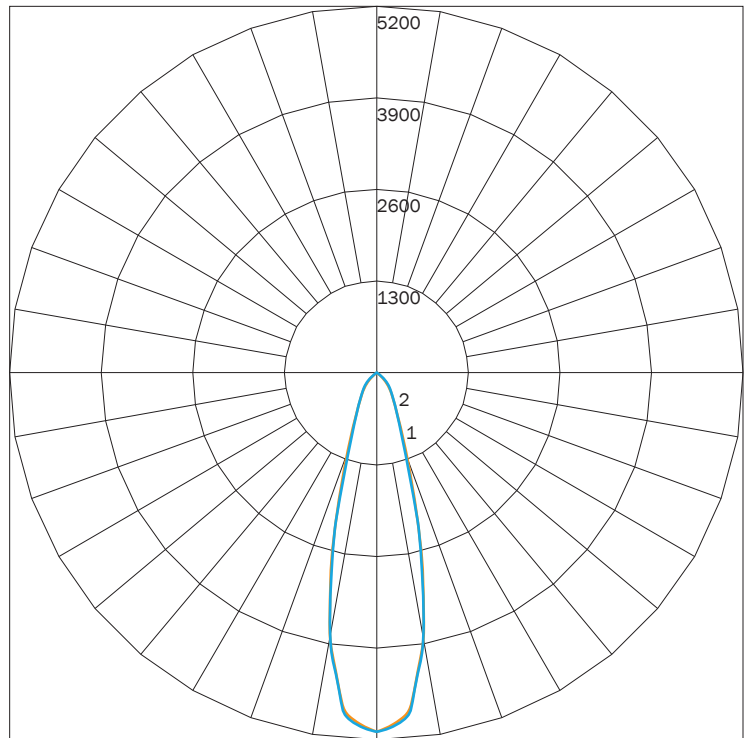
MAXIMUM CANDELA = 893.58 LOCATED AT HORIZONTAL ANGLE = 0, VERTICAL ANGLE = 0
 # 1 - VERTICAL PLANE THROUGH HORIZONTAL ANGLES (90 - 270)
 # 2 - VERTICAL PLANE THROUGH HORIZONTAL ANGLES (0 - 180)

LUMINAIRE LUMENS 952
TOTAL LUMINAIRE EFFICIENCY 56%
LUMINAIRE EFFICACY RATING 10
TOTAL LUMINAIRE WATTS 100

IES INDOOR REPORT

PHOTOMETRIC FILENAME : MEL 12 19LED.IES

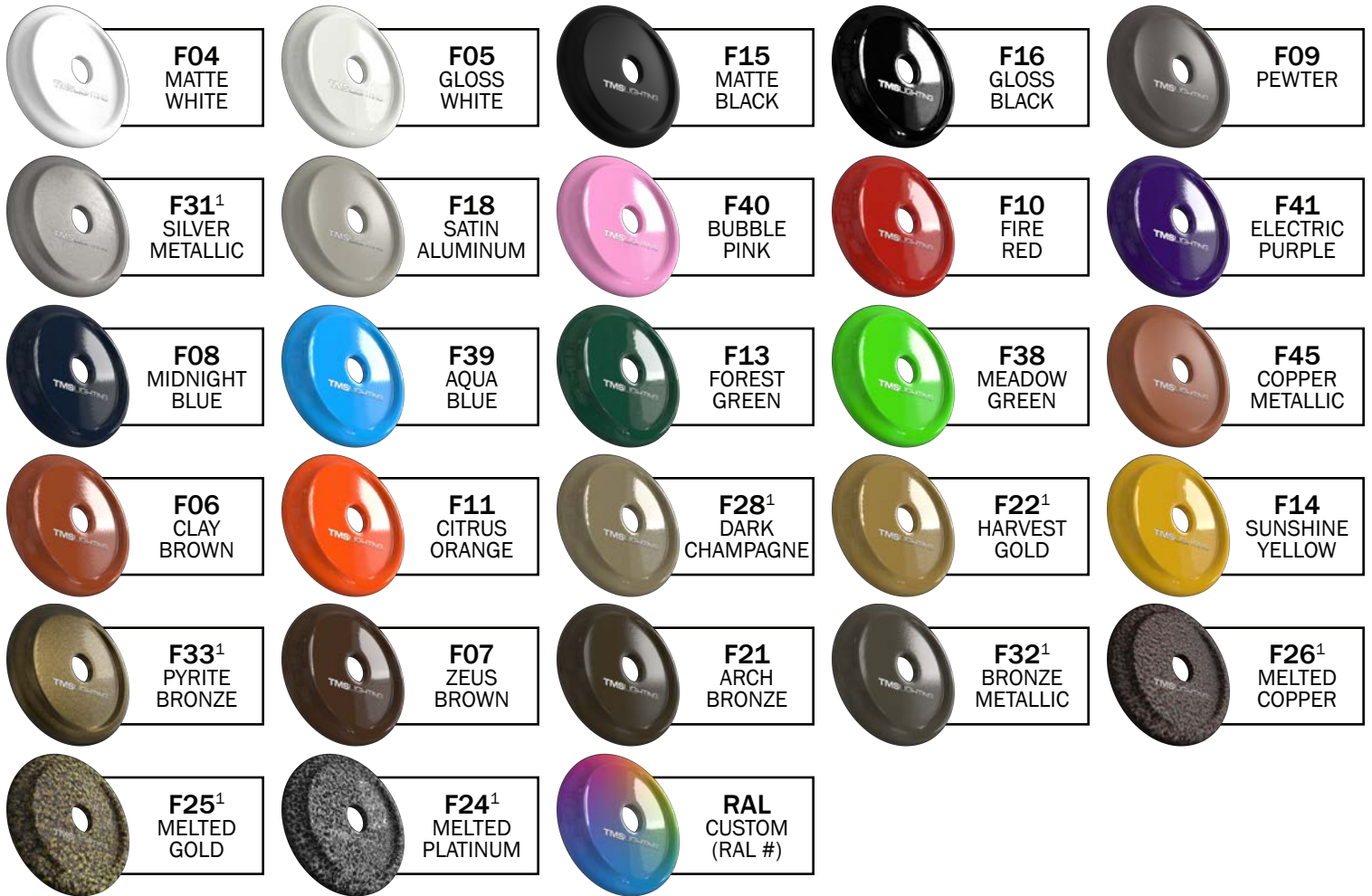
POLAR GRAPH



MAXIMUM CANDELA = 5091.95 LOCATED AT HORIZONTAL ANGLE = 180, VERTICAL ANGLE = 5
 # 1 - VERTICAL PLANE THROUGH HORIZONTAL ANGLES (90 - 270)
 # 2 - VERTICAL PLANE THROUGH HORIZONTAL ANGLES (0 - 180)

LUMINAIRE LUMENS 1858
TOTAL LUMINAIRE EFFICIENCY NA
LUMINAIRE EFFICACY RATING 86
TOTAL LUMINAIRE WATTS 22

FINISHES



PREMIUM FINISHES



PREMIUM MATERIALS



1: FINISHES IS APPLIED TO THE INTERIOR AND EXTERIOR OF THE FIXTURE.

2: MATERIALS ARE CONSISTENT (INTERIOR & EXTERIOR). STEMS AND CANOPIES WILL BE F16 GLOSS BLACK.

NOTE: ALL FINISHES NOT MARKED WITH NOTATION (1) ARE APPLIED TO THE EXTERIOR ONLY. THE INTERIOR WILL BE F05 GLOSS WHITE.

MATTE FINISHES AVAILABLE. CONSULT FACTORY.

FINISHES ARE SUBJECT TO AVAILABILITY AND MAY NOT BE APPLICABLE TO ALL FIXTURES OR FOR QUICKSHIP.

DISPLAYED FINISHES DIFFER BETWEEN SCREENS AS WELL AS PRINTERS AND MAY NOT ACCURATELY DEPICT COLOR.