

MAYA™ PENDANT

PROJECT: _____

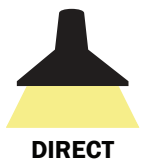
TYPE: _____

QUANTITY: _____



PN: MAY

APPLICATION	<ul style="list-style-type: none">• PENDANT MOUNT• INDOOR OR OUTDOOR RATED
DIMENSION	<ul style="list-style-type: none">• 15", 19" (38CM, 48CM)
ILLUMINATION	<ul style="list-style-type: none">• DIRECT• LED 90CRI• 1,064 - 1,752 LUMENS
ELECTRICAL	<ul style="list-style-type: none">• 120V, 277V, AND 347V• 10kA SURGE SUPPRESSION STANDARD
DIFFUSERS	<ul style="list-style-type: none">• CLEAR OR FROSTED, ELONGATED, GLASS GLOBE• CLEAR, FROSTED OR WHITE LENS
MOUNTING	<ul style="list-style-type: none">• 120" (305CM) BLACK OR WHITE DROP CORD W/ AIRCRAFT CABLE• 1" TO 60" (2.5CM TO 152CM) STEM MOUNT
CONSTRUCTION	<ul style="list-style-type: none">• ALUMINUM, SOLID COPPER OR STEEL
FINISHES	<ul style="list-style-type: none">• AVAILABLE IN SEVERAL TMS SPECIALTY, AND POWDER COATED FINISHES• CUSTOM RAL FINISHES AVAILABLE
DIMMING	<ul style="list-style-type: none">• 0 - 10V STANDARD DIMMING OR ECOSYSTEM DIMMING
WEIGHT	<ul style="list-style-type: none">• 5.4 LBS MAXIMUM





MAYA™ PENDANT

PROJECT: _____

TYPE: _____

QUANTITY: _____

MAY

1 2 3 4 5 6 7 8 9 10 11 12

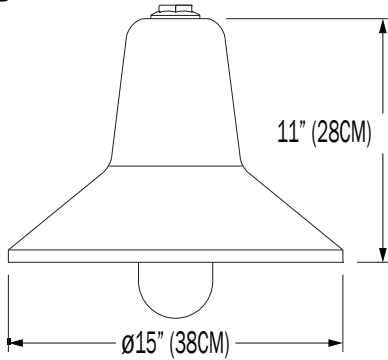
1.	I					O						
APPLICATION	INDOOR					OUTDOOR						
2.	15					19						
DIAMETER	15" DIA (38CM)					19" DIA (48CM)						
3.	MED		15LED		17LED		19LED		32LED²			
ILLUMINATION ¹	MEDIUM BASE SOCKET (USE 60W INC OR EQUIVALENT LED)		15W LED		17W LED PAR38 E26 MED. BASE, 4000K, 60°		19W LED		32W LED			
4.	CRD	C01	C06	C12	C18	C24	C36	C48	C60			
MOUNTING	120"(305CM) DROP CORD	1"(2.5CM) STEM MOUNT	6"(15CM) STEM MOUNT	12"(31CM) STEM MOUNT	18"(46CM) STEM MOUNT	24"(61CM) STEM MOUNT	36"(91CM) STEM MOUNT	48"(122CM) STEM MOUNT	60"(152CM) STEM MOUNT			
5.	---			BC			WC					
CORD	NONE			BLACK DROP CORD			WHITE DROP CORD					
6.	---		30K			35K		40K				
LED CCT	NONE		3000			3500		4000				
7.	120			UNI			347					
VOLTAGE	120V			120 - 277V			347V					
8.	ADDITIONAL AND PREMIUM FINISHES AVAILABLE. SEE FINISHES CHART			F04	F05	F15	F16	F09	F31	F18		
FINISH ³				---	---	---	---	---	---	---	---	---
				---	---	---	---	---	---	---	---	---
	F06	F07	F08	F10	F11	F13	F14	F21	F22	F23		
	CLAY BROWN	ZEUS BROWN	MIDNIGHT BLUE	FIRE RED	CITRUS ORANGE	FOREST GREEN	SUNSHINE YELLOW	ARCH. BRONZE	HARVEST GOLD	MELTED PLATINUM		
9.	---		LNC	LNF	LNW	G1	G2	G11				
GLOBE/ LENS	NONE		CLEAR LENS	FROSTED LENS	WHITE LENS	CLEAR, ELONGATED GLOBE	FROSTED GLOBE	CLEAR, ELONGATED, GLOBE WITH CAST GUARD				
10.	---					DIML						
DIMMING ⁴	NONE					LED DIMMING (0 - 10V, CURRENT - SINKING)						
11.	---		EM		EMC		EMR		EMCR			
EMERGENCY ⁵	NONE		INTEGRAL		INTEGRAL COLD PACK		REMOTE		REMOTE COLD PACK			
12.	---			BL			ACC					
MOUNTING ⁶ ACCESSORIES	NONE			CEILING SLOPE ADAPTER FOR STEM MOUNT (30°)			AIRCRAFT CABLE FOR DROP CORDS					

1. INCANDESCENT SYSTEMS, METAL HALIDE SYSTEMS, AND THOSE USING 17W LED PAR 38 LAMP, USE A MEDIUM BASE SOCKET (E26)
 2. NOT AVAILABLE FOR **SIZE 15"**
 3. A CLEAR COAT IS APPLIED TO COPPER. PATINA WILL FORM OVER TIME
 4. DIMMING IS NOT AVAILABLE FOR OUTDOOR OF APPLICATION
 5. 10W AT 90 MINUTES. EMERGENCY OPTION IS ONLY AVAILABLE IN 120 - 277V SYSTEMS. NOT AVAILABLE WITH 17LED PAR 38 LAMP
 6. MAY REQUIRE TO COMPLY WITH LOCAL SEISMIC/EARTHQUAKE CODE

NOTE: SOME OPTIONS MAY NOT BE COMPATIBLE WITH OTHERS. ALL SPECIFICATIONS ARE SUBJECT TO CHANGE WITHOUT NOTICE. CONTACT TMS LIGHTING FOR UPDATED SPECIFICATIONS.

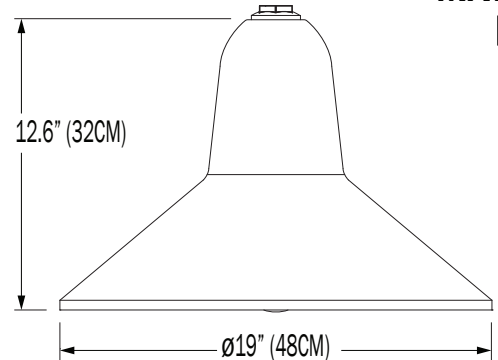
MAY - 15"

4 LB

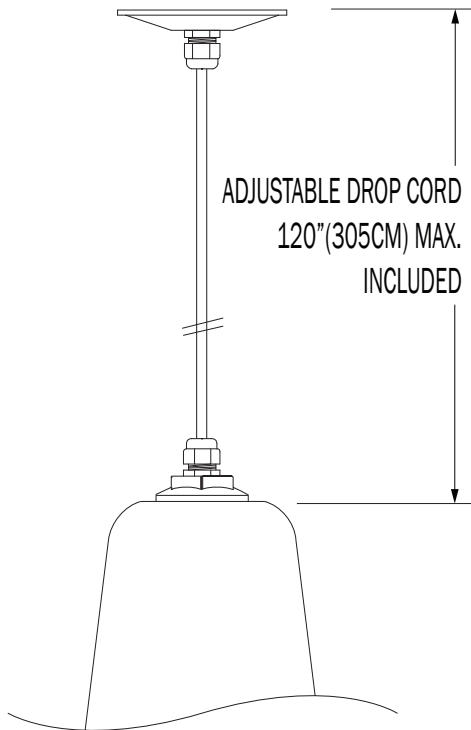


MAY - 19"

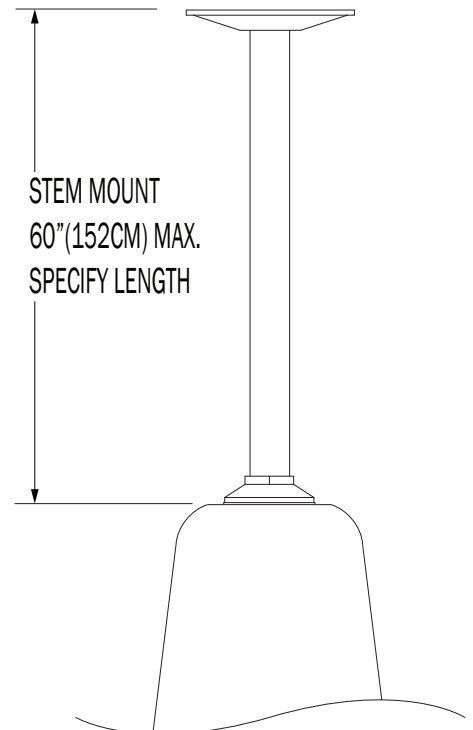
5.4 LB



DROP CORD MOUNT



STEM MOUNT



CUSTOM

NOTE: THIS FIXTURE CAN BE CUSTOMIZE. DIMENSION, LAMP TYPES, ENCLOSURE, AND COLOR CAN BE MODIFIED TO SUIT YOUR LIGHTING AND ARCHITECTURAL REQUIREMENTS. CONTACT YOUR LOCAL REPRESENTATIVE FOR MORE DETAILS: <https://tmslighting.com/sales-agents.html>

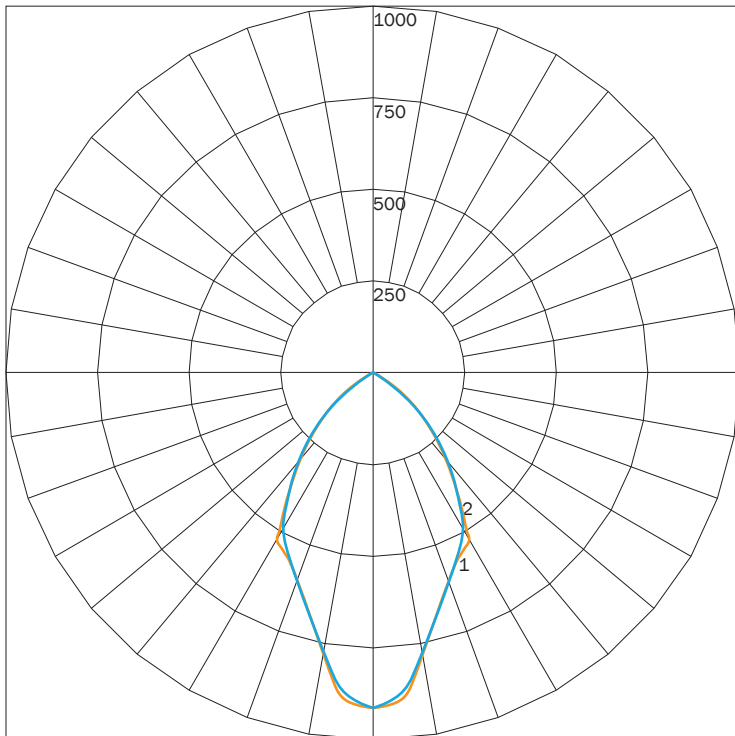
DIRECT

PN	SIZE (DIA)	ILLUMINATION	GLOBE/LENS	LUMENS	WATTAGE	
MAY	15	15LED	LNC	1064	15	
			---	1125	15	
		19LED	LNC	1777	19	
			---	1885	19	
		19	15LED	LNC	1079	15
				---	1123	15
	19LED		LNC	1781	19	
			---	1883	19	
	32LED	LNC	1782	32		
		---	1885	32		

IES INDOOR REPORT

PHOTOMETRIC FILENAME : MAY 15 15LED LNC. IES

POLAR GRAPH



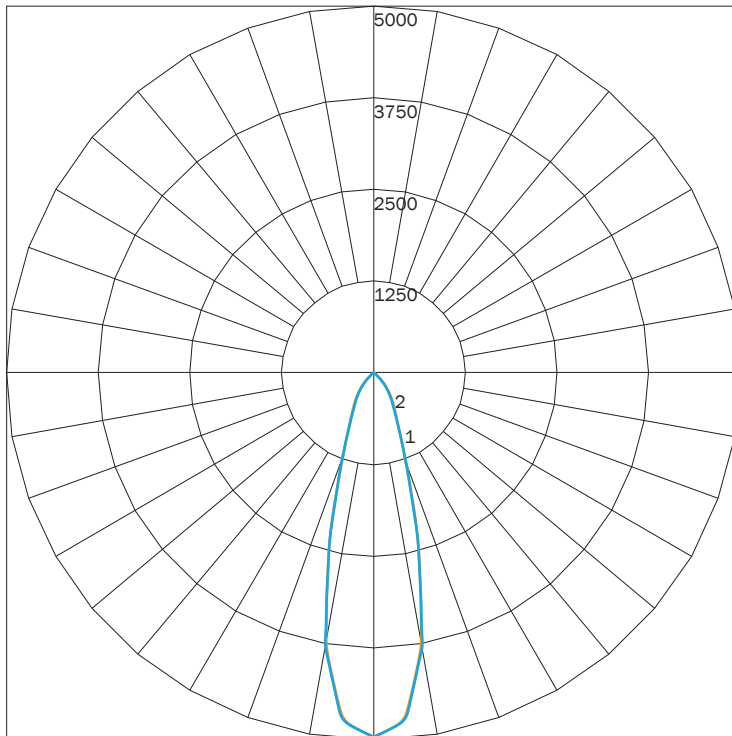
MAXIMUM CANDELA = 913.88 LOCATED AT HORIZONTAL ANGLE = 0, VERTICAL ANGLE = 0
 # 1 - VERTICAL PLANE THROUGH HORIZONTAL ANGLES (90 - 270)
 # 2 - VERTICAL PLANE THROUGH HORIZONTAL ANGLES (0 - 180)

LUMINAIRE LUMENS 1064
TOTAL LUMINAIRE EFFICIENCY NA
LUMINAIRE EFFICACY RATING 62
TOTAL LUMINAIRE WATTS 17

IES INDOOR REPORT

PHOTOMETRIC FILENAME : MAY 19 32LED. IES

POLAR GRAPH



MAXIMUM CANDELA = 4966.15 LOCATED AT HORIZONTAL ANGLE = 0, VERTICAL ANGLE = 0
 # 1 - VERTICAL PLANE THROUGH HORIZONTAL ANGLES (90 - 270)
 # 2 - VERTICAL PLANE THROUGH HORIZONTAL ANGLES (0 - 180)

LUMINAIRE LUMENS 1885
TOTAL LUMINAIRE EFFICIENCY NA
LUMINAIRE EFFICACY RATING 88
TOTAL LUMINAIRE WATTS 22

FINISHES



PREMIUM FINISHES



PREMIUM MATERIALS



1: FINISHES IS APPLIED TO THE INTERIOR AND EXTERIOR OF THE FIXTURE.
 2: MATERIALS ARE CONSISTENT (INTERIOR & EXTERIOR). STEMS AND CANOPIES WILL BE F16 GLOSS BLACK.
 NOTE: ALL FINISHES NOT MARKED WITH NOTATION (1) ARE APPLIED TO THE EXTERIOR ONLY. THE INTERIOR WILL BE F05 GLOSS WHITE.
 MATTE FINISHES AVAILABLE. CONSULT FACTORY.
 FINISHES ARE SUBJECT TO AVAILABILITY AND MAY NOT BE APPLICABLE TO ALL FIXTURES OR FOR QUICKSHIP.
 DISPLAYED FINISHES DIFFER BETWEEN SCREENS AS WELL AS PRINTERS AND MAY NOT ACCURATELY DEPICT COLOR.