

# MAXXIMUS™ PENDANT

PROJECT: \_\_\_\_\_

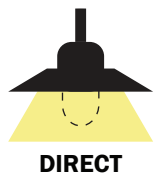
TYPE: \_\_\_\_\_

QUANTITY: \_\_\_\_\_



## PN: MAX

<b>APPLICATION</b>	<ul style="list-style-type: none"><li>• PENDANT MOUNT</li><li>• INDOOR OR OUTDOOR RATED</li></ul>
<b>DIMENSION</b>	<ul style="list-style-type: none"><li>• 11" (28CM)</li></ul>
<b>ILLUMINATION</b>	<ul style="list-style-type: none"><li>• DIRECT</li><li>• LED 90CRI</li><li>• 1,305 - 1,430 LUMENS</li></ul>
<b>ELECTRICAL</b>	<ul style="list-style-type: none"><li>• 120V, 277V AND 347V</li><li>• 10kA SURGE SUPPRESSION STANDARD</li></ul>
<b>DIFFUSERS</b>	<ul style="list-style-type: none"><li>• CLEAR, ELONGATED GLASS GLOBE</li></ul>
<b>MOUNTING</b>	<ul style="list-style-type: none"><li>• 120" (305CM) BLACK OR WHITE DROP CORD W/ AIRCRAFT CABLE (OPTIONAL)</li><li>• 1" TO 60" (2.54CM TO 152CM) STEM MOUNT</li></ul>
<b>CONSTRUCTION</b>	<ul style="list-style-type: none"><li>• ALUMINUM</li></ul>
<b>FINISHES</b>	<ul style="list-style-type: none"><li>• AVAILABLE IN SPECIALTY, AND SEVERAL TMS POWDER COATED FINISHES</li><li>• CUSTOM RAL FINISHES AVAILABLE</li></ul>
<b>DIMMING</b>	<ul style="list-style-type: none"><li>• 0 - 10V STANDARD DIMMING</li></ul>
<b>WEIGHT</b>	<ul style="list-style-type: none"><li>• 4.5 LBS MAXIMUM</li></ul>





# MAXXIMUS™ PENDANT

PROJECT: \_\_\_\_\_

TYPE: \_\_\_\_\_

QUANTITY: \_\_\_\_\_

**MAX**

1 2 3 4 5 6 7 8 9 10 11

<b>1.</b>	<b>I</b>	<b>O</b>
APPLICATION	INDOOR	OUTDOOR

<b>2.</b>	<b>ILLUMINATION<sup>1</sup></b>	
	<b>100IN</b>	<b>15LED</b>
LED (W)	100W	15W
LUMENS	1311	1430

<b>3.</b>	<b>CRD</b>	<b>C01</b>	<b>C06</b>	<b>C12</b>	<b>C18</b>	<b>C24</b>	<b>C36</b>	<b>C48</b>	<b>C60</b>
MOUNTING	120"(305CM) DROP CORD	1"(2.5CM) STEM MOUNT	6"(15CM) STEM MOUNT	12"(31CM) STEM MOUNT	18"(46CM) STEM MOUNT	24"(61CM) STEM MOUNT	36"(91CM) STEM MOUNT	48"(122CM) STEM MOUNT	60"(152CM) STEM MOUNT

<b>4.</b>	<b>---</b>	<b>BC</b>	<b>WC</b>
CORD	NONE	BLACK DROP CORD	WHITE DROP CORD

<b>5.</b>	<b>---</b>	<b>30K</b>	<b>35K</b>	<b>40K</b>
LED CCT	NONE	3000K	3500K	4000K

<b>6.</b>	<b>120</b>	<b>277</b>	<b>347</b>
VOLTAGE	120V	277V	347V

<b>7.</b>	<b>F04</b>	<b>F05</b>	<b>F15</b>	<b>F16</b>	<b>F09</b>	<b>F31</b>	<b>F18</b>	<b>F06</b>	<b>F07</b>	<b>F08</b>
FINISH <sup>2</sup>	MATTE WHITE	GLOSS WHITE	MATTE BLACK	GLOSS BLACK	PEWTER	SILVER METALLIC	SATIN ALUMINUM	CLAY BROWN	ZEUS BROWN	MIDNIGHT BLUE
	<b>F10</b>	<b>F11</b>	<b>F13</b>	<b>F14</b>	<b>F21</b>	<b>F22</b>	<b>F24</b>	<b>F25</b>	<b>F26</b>	<b>F28</b>
	FIRE RED	CITRUS ORANGE	FOREST GREEN	SUNSHINE YELLOW	ARCH. BRONZE	HARVEST GOLD	MELTED PLATINUM	MELTED GOLD	MELTED COPPER	DARK CAMPAGNE
	<b>F32</b>	<b>F33</b>	<b>F38</b>	<b>F39</b>	<b>F40</b>	<b>F41</b>	<b>F42</b>	<b>F43</b>	<b>F44</b>	<b>F45</b>
	BRONZE METALLIC	PYRITE BRONZE	MEADOW GREEN	AQUA BLUE	BUBBLE PINK	ELECTRIC PURPLE	FAUX CHROME	FAUX GOLD	FAUX COPPER	COPPER METALLIC
	<b>RAL</b>	<b>AN</b>	<b>BR</b>	<b>CO</b>	<b>SS</b>					
CUSTOM (SPECIFY RAL)	ANODIZED	BRUSHED ALUMINUM	SOLID COPPER	STAINLESS STEEL						

<b>8.</b>	<b>G11</b>
GLOBE/ LENS	CLEAR, ELONGATED, GLOBE WITH CAST GUARD

<b>9.</b>	<b>---</b>	<b>DIML</b>
DIMMING	NONE	LED DIMMING (0 - 10V, CURRENT - SINKING)

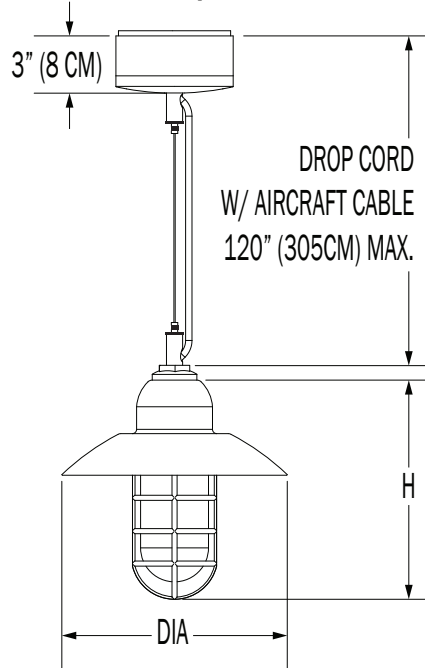
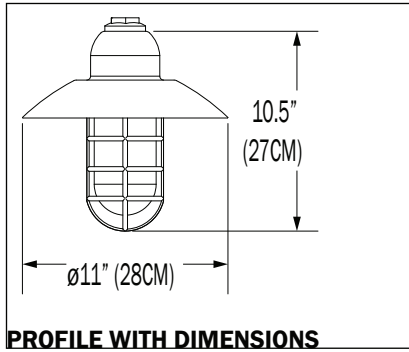
<b>10.</b>	<b>---</b>	<b>EM</b>	<b>EMC</b>	<b>EMR</b>	<b>EMCR</b>
EMERGENCY <sup>3</sup>	NONE	INTEGRAL	INTEGRAL COLD PACK	REMOTE	REMOTE COLD PACK

<b>11.</b>	<b>---</b>	<b>BL</b>	<b>ACC</b>
MOUNTING <sup>4</sup> ACCESSORIES	NONE	CEILING SLOPE ADAPTER FOR STEM MOUNT (30°)	AIRCRAFT CABLE FOR DROP CORDS

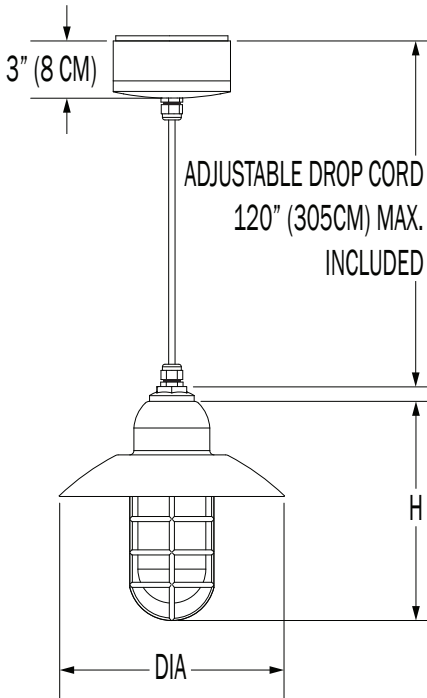
1. INCANDESCENT SYSTEMS, METAL HALIDE SYSTEMS, AND THOSE USING THE 17W LED USE A MEDIUM BASE SOCKET (E26) 3. 10W AT 90 MINUTES. EMERGENCY OPTION IS ONLY AVAILABLE IN 120 - 277V SYSTEMS  
 2. A CLEAR COAT IS APPLIED TO COPPER. PATINA WILL FORM OVER TIME 4. MAY REQUIRE TO COMPLY WITH LOCAL SEISMIC/EARTHQUAKE CODE

NOTE: SOME OPTIONS MAY NOT BE COMPATIBLE WITH OTHERS. ALL SPECIFICATIONS ARE SUBJECT TO CHANGE WITHOUT NOTICE. CONTACT TMS LIGHTING FOR UPDATED SPECIFICATIONS.

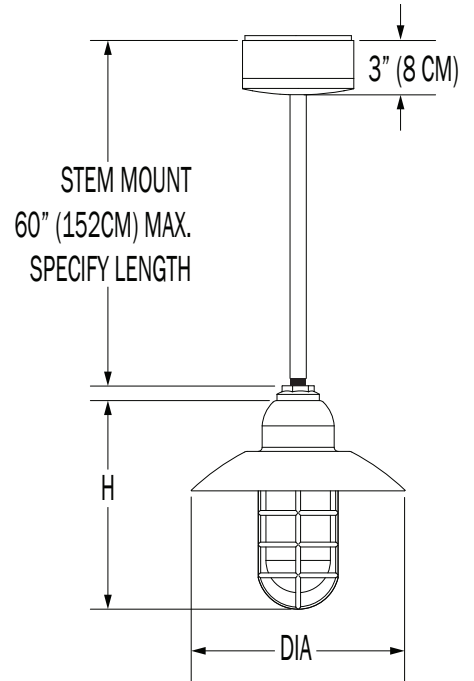
## DROP CORD MOUNT W/ AIRCRAFT CABLE



## DROP CORD MOUNT



## STEM MOUNT



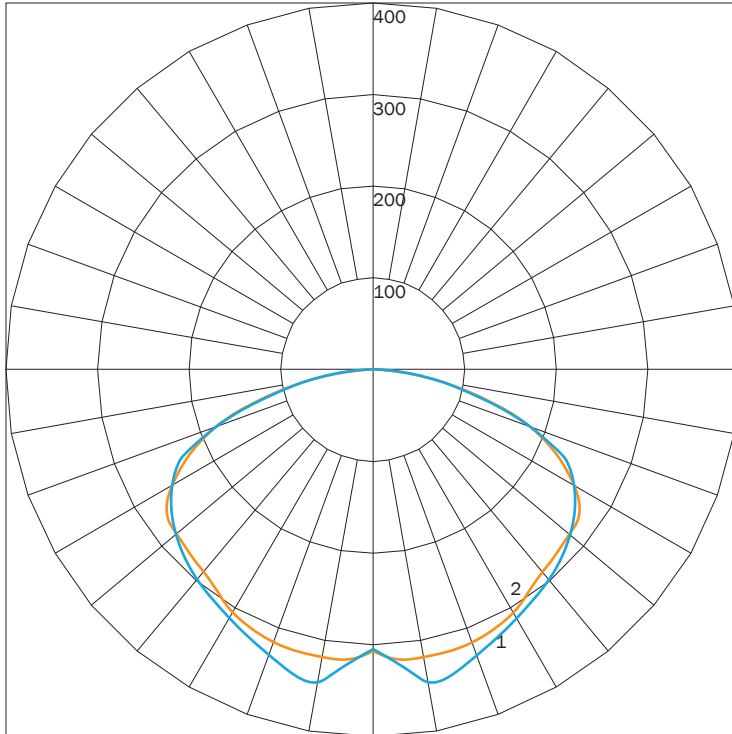
## DIRECT

PN	ILLUMINATION	FINISH	LUMENS	WATTAGE
MAX	100IN	F31	1305	100
		F05	1311	100
	15LED	F31	1404	15
		F05	1430	15

### IES INDOOR REPORT

PHOTOMETRIC FILENAME : MAX 100IN F31.IES

### POLAR GRAPH



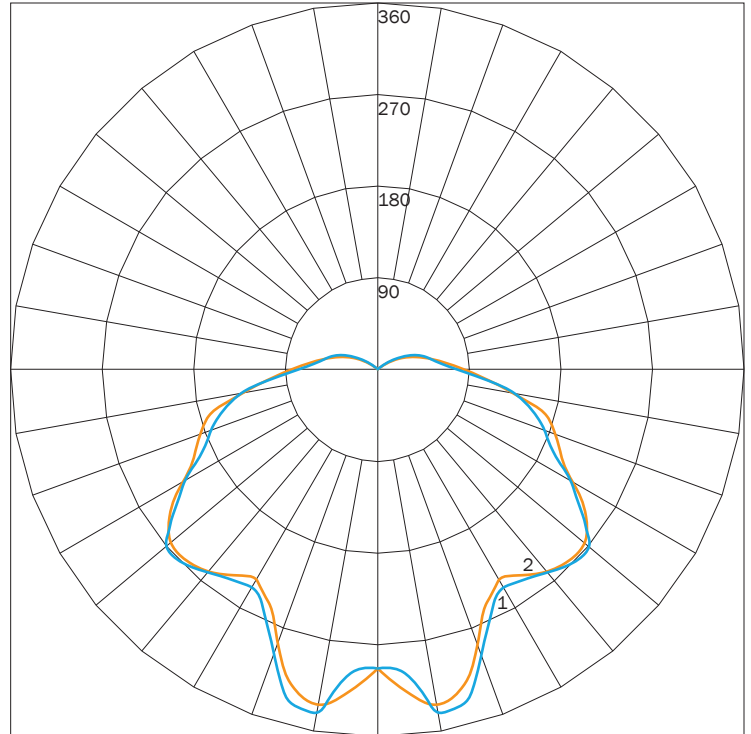
MAXIMUM CANDELA = 351.915 LOCATED AT HORIZONTAL ANGLE = 22.5, VERTICAL ANGLE = 5  
 # 1 - VERTICAL PLANE THROUGH HORIZONTAL ANGLES (90 - 270)  
 # 2 - VERTICAL PLANE THROUGH HORIZONTAL ANGLES (0 - 180)

<b>LUMINAIRE LUMENS</b>	1305
<b>TOTAL LUMINAIRE EFFICIENCY</b>	76%
<b>LUMINAIRE EFFICACY RATING</b>	13
<b>TOTAL LUMINAIRE WATTS</b>	100

### IES INDOOR REPORT

PHOTOMETRIC FILENAME : MAX 15LED F05.IES

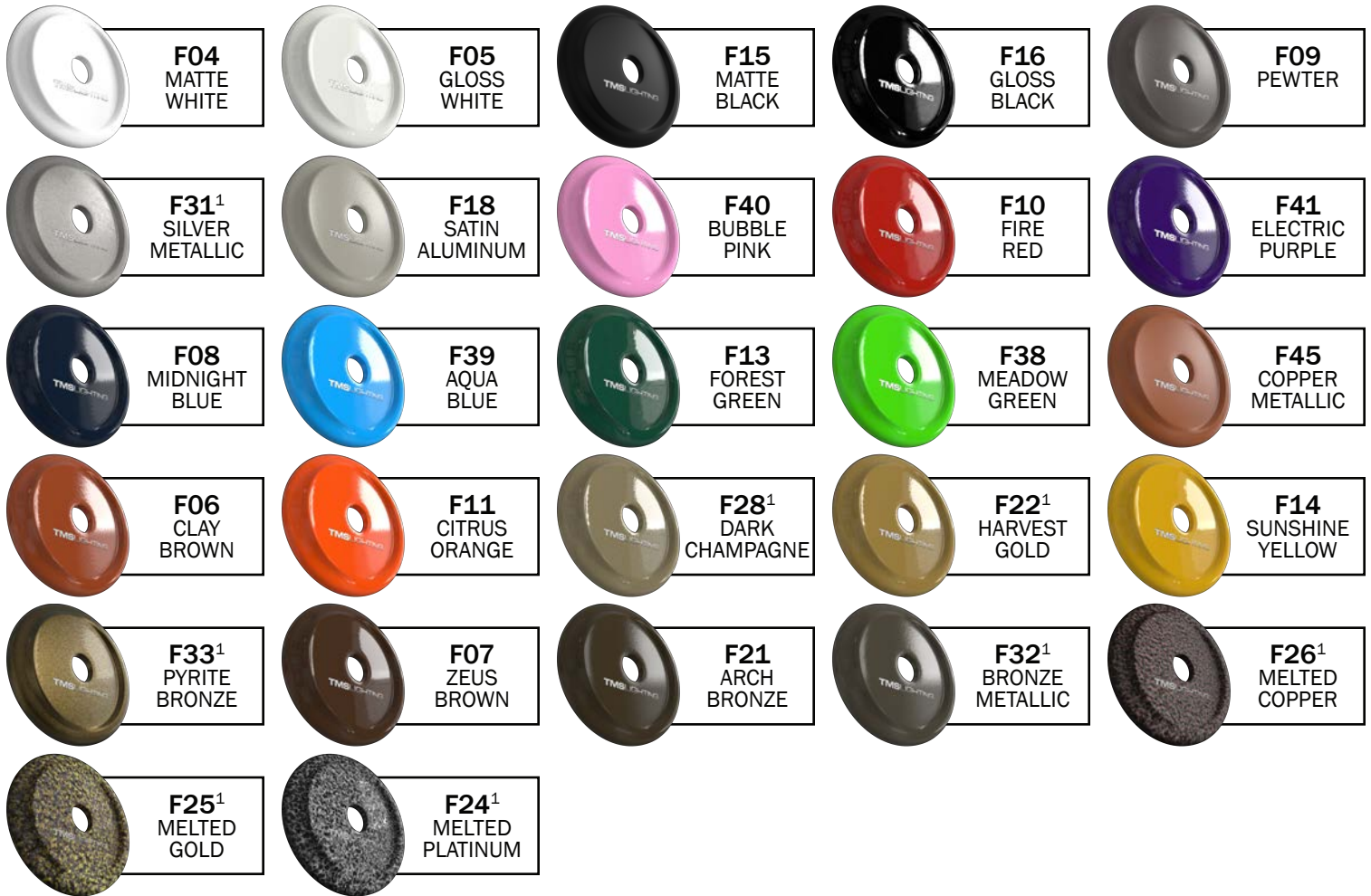
### POLAR GRAPH



MAXIMUM CANDELA = 341.72 LOCATED AT HORIZONTAL ANGLE = 180, VERTICAL ANGLE = 5  
 # 1 - VERTICAL PLANE THROUGH HORIZONTAL ANGLES (90 - 270)  
 # 2 - VERTICAL PLANE THROUGH HORIZONTAL ANGLES (0 - 180)

<b>LUMINAIRE LUMENS</b>	1430
<b>TOTAL LUMINAIRE EFFICIENCY</b>	NA
<b>LUMINAIRE EFFICACY RATING</b>	83
<b>TOTAL LUMINAIRE WATTS</b>	17

## FINISHES



## PREMIUM FINISHES



## PREMIUM MATERIALS



1: FINISHES IS APPLIED TO THE INTERIOR AND EXTERIOR OF THE FIXTURE.

2: MATERIALS ARE CONSISTENT (INTERIOR & EXTERIOR). STEMS AND CANOPIES WILL BE F16 GLOSS BLACK.

NOTE: ALL FINISHES NOT MARKED WITH NOTATION (1) ARE APPLIED TO THE EXTERIOR ONLY. THE INTERIOR WILL BE F05 GLOSS WHITE.

MATTE FINISHES AVAILABLE. CONSULT FACTORY.

FINISHES ARE SUBJECT TO AVAILABILITY AND MAY NOT BE APPLICABLE TO ALL FIXTURES OR FOR QUICKSHIP.

DISPLAYED FINISHES DIFFER BETWEEN SCREENS AS WELL AS PRINTERS AND MAY NOT ACCURATELY DEPICT COLOR.