

MARTINI™ PENDANT

PROJECT: _____

TYPE: _____

QUANTITY: _____



PN: MAR

APPLICATION	<ul style="list-style-type: none">• PENDANT MOUNT• INDOOR OR OUTDOOR RATED
DIMENSION	<ul style="list-style-type: none">• 8", 10", 12", AND 14" (20CM, 25CM, 30CM, 35CM)
ILLUMINATION	<ul style="list-style-type: none">• DIRECT• LED 90CRI• 1,107 - 1,922 LUMENS
ELECTRICAL	<ul style="list-style-type: none">• 120V, 277V, AND 347V• 10KA SURGE SUPPRESSION STANDARD
DIFFUSERS	<ul style="list-style-type: none">• HIGH EFFICIENCY ACRYLIC
MOUNTING	<ul style="list-style-type: none">• 120" (305CM) BLACK OR WHITE DROP CORD W/ AIRCRAFT CABLE• 1" TO 60" (2.5CM TO 152CM) STEM MOUNT
CONSTRUCTION	<ul style="list-style-type: none">• ALUMINUM
FINISHES	<ul style="list-style-type: none">• AVAILABLE IN SEVERAL TMS SPECIALTY, AND POWDER COATED FINISHES• CUSTOM RAL FINISHES AVAILABLE
DIMMING	<ul style="list-style-type: none">• 0 - 10V STANDARD DIMMING (1%)
WEIGHT	<ul style="list-style-type: none">• 5.5 LBS MAXIMUM



DIRECT

MARTINI™ PENDANT



PROJECT: _____
 TYPE: _____
 QUANTITY: _____

MAR

1 2 3 4 5 6 7 8 9 10 11 12

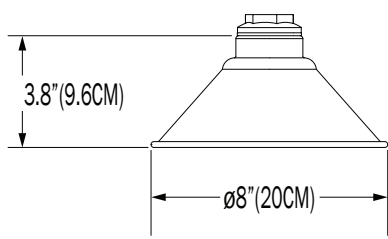
1.	I					O							
APPLICATION	INDOOR					OUTDOOR							
2.	8¹		10¹		12¹		14						
DIAMETER	8"DIA. (20CM)		10"DIA. (25CM)		12"DIA. (30CM)		14"DIA. (35CM)						
3.	100IN		15LED		17LED²		19LED						
ILLUMINATION	MED BASE (MAX 100W INC)		15W LED		17W LED PAR38 E26 MED BASE, 4000K, 60°		19W LED						
4.	CRD	C01	C06	C12	C18	C24	C36	C48	C60				
MOUNTING	120"(305CM) DROP CORD	1"(2.5CM) STEM MOUNT	6"(15CM) STEM MOUNT	12"(31CM) STEM MOUNT	18"(46CM) STEM MOUNT	24"(61CM) STEM MOUNT	36"(91CM) STEM MOUNT	48"(122CM) STEM MOUNT	60"(152CM) STEM MOUNT				
5.	---			BC			WC						
CORD	NONE			BLACK DROP CORD			WHITE DROP CORD						
6.	---		30K		35K		40K						
LED CCT	NONE		3000		3500		4000						
7	120			277			347						
VOLTAGE	120V			277V			347V						
8.	ADDITIONAL AND PREMIUM FINISHES AVAILABLE. SEE FINISHES CHART			F04	F05	F15	F16	F09	F31	F18			
FINISH ³				MATTE WHITE	GLOSS WHITE	MATTE BLACK	GLOSS BLACK	PEWTER	SILVER METALLIC	SATIN ALUMINUM			
				F06	F07	F08	F10	F11	F13	F14	F21	F22	F24
				CLAY BROWN	ZEUS BROWN	MIDNIGHT BLUE	FIRE RED	CITRUS ORANGE	FOREST GREEN	SUNSHINE YELLOW	ARCH. BRONZE	HARVEST GOLD	MELTED PLATINUM
	F25	F26	F28	F32	F33	F38	F39	F40	F41	F45			
	MELTED GOLD	MELTED COPPER	DARK CAMPAGNE	BRONZE METALLIC	PYRITE BRONZE	MEADOW GREEN	AQUA BLUE	BUBBLE PINK	ELECTRIC PURPLE	COPPER METALLIC			
9.	---				DIML								
DIMMING ⁴	NONE				LED DIMMING (0 - 10V, CURRENT - SINKING)								
10.	---		EM		EMC		EMR		EMCR				
EMERGENCY ⁵	NONE		INTEGRAL		INTEGRAL COLD PACK		REMOTE		REMOTE COLD PACK				
11.	---			BL			ACC						
MOUNTING ⁶ ACCESSORIES	NONE			CEILING SLOPE ADAPTER FOR STEM MOUNT (30°)			AIRCRAFT CABLE FOR DROP CORDS						
12.	---		W8		W10		W12		W14				
WIRE GUARD	NONE		8" (20CM) WIRE GUARD		10" (25CM) WIRE GUARD		12" (30CM) WIRE GUARD		14" (35CM) WIRE GUARD				

1. SIZES 8", 10", AND 12" ARE NOT AVAILABLE FOR 19LED
 2. 17W LED PAR LAMPS USES A MEDIUM BASE SOCKET (E26).
 3. A CLEAR COAT IS APPLIED TO COPPER. PATINA WILL FORM OVER TIME
 4. DIMMING IS NOT AVAILABLE FOR OUTDOOR CF APPLICATIONS
 5. 10W AT 90 MINUTES. EMERGENCY OPTION IS ONLY AVAILABLE IN 120 - 277V SYSTEMS. NOT AVAILABLE WITH 17W LED PAR 38
 6. MAY REQUIRE TO COMPLY WITH LOCAL SEISMIC/EARTHQUAKE CODE

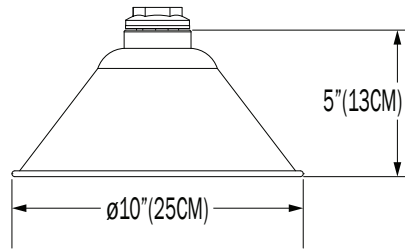
NOTE: SOME OPTIONS MAY NOT BE COMPATIBLE WITH OTHERS. ALL SPECIFICATIONS ARE SUBJECT TO CHANGE WITHOUT NOTICE. CONTACT TMS LIGHTING FOR UPDATED SPECIFICATIONS.

MARTINI™ PENDANT

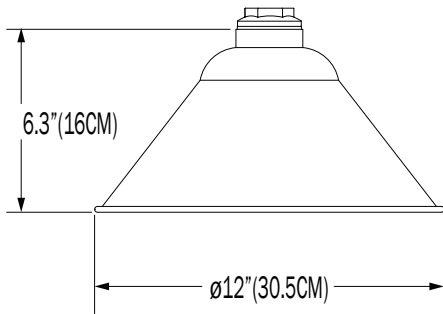
MAR - 8"
3.5LB



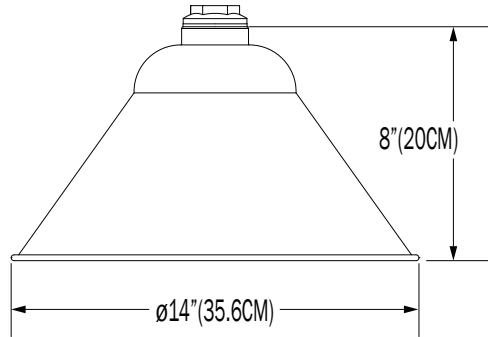
MAR - 10"
4LB



MAR - 12"
4.75LB

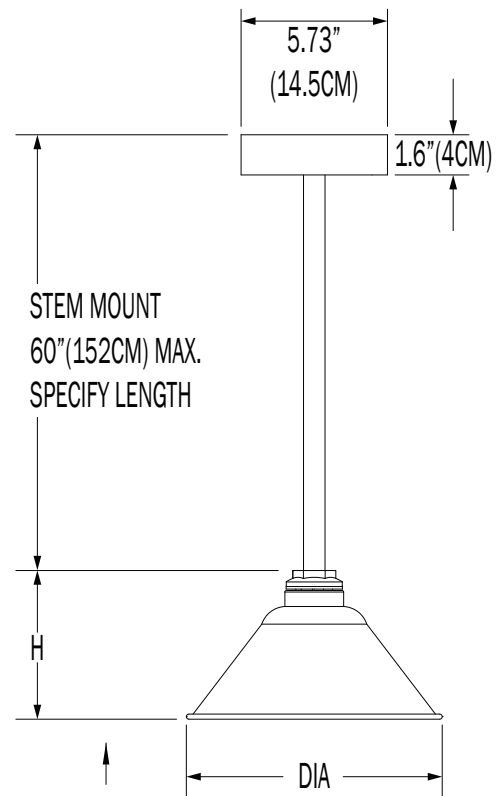
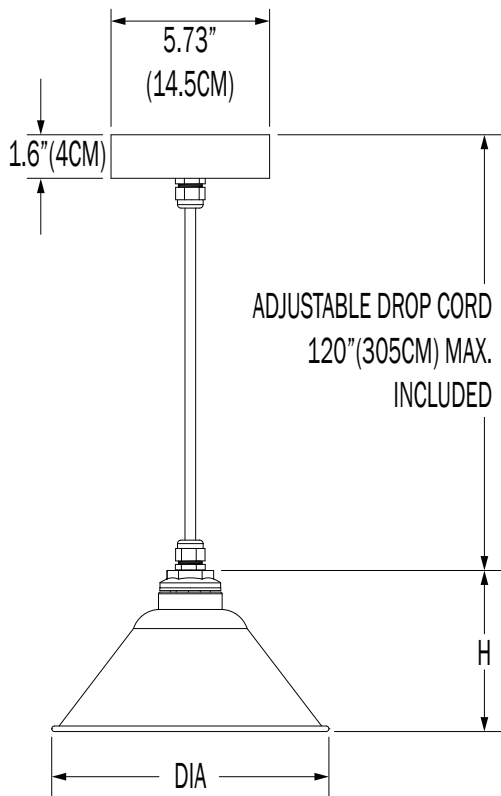


MAR - 14"
5.5LB



DROP CORD MOUNT

STEM MOUNT



CUSTOM

NOTE: THIS FIXTURE CAN BE CUSTOMIZE. DIMENSION, LAMP TYPES, ENCLOSURE, AND COLOR CAN BE MODIFIED TO SUIT YOUR LIGHTING AND ARCHITECTURAL REQUIREMENTS. CONTACT YOUR LOCAL REPRESENTATIVE FOR MORE DETAILS: <https://tmslighting.com/sales-agents.html>

TMSLIGHTING



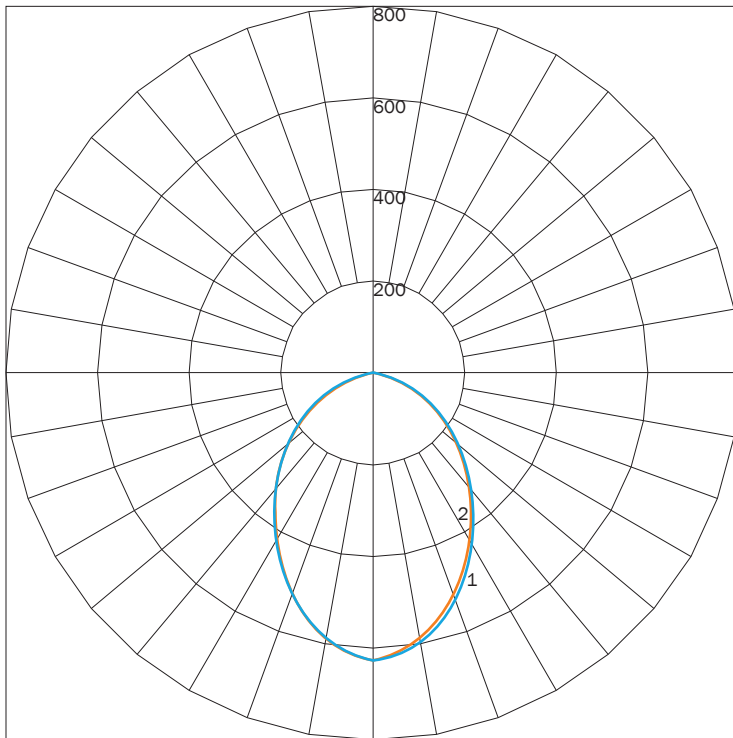
DIRECT

PN	SIZE (DIA)	ILLUMINATION	FINISH	LUMENS	WATTAGE	
MAR	8	100IN	C0	1219	100	
			F05	1423	100	
		15LED	C0	1138	15	
			F05	1139	15	
		10	100IN	C0	1245	100
				F05	1381	100
	15LED		C0	1139	15	
			F05	1110	15	
	12		100IN	C0	1201	100
				F05	1426	100
		15LED	C0	1133	15	
			F05	1107	15	
		14	100IN	C0	1201	100
				F05	1434	100
	15LED		C0	1116	15	
			F05	1870	19	
19LED	F05		1870	19		
	C0		1922	19		

IES INDOOR REPORT

PHOTOMETRIC FILENAME : MAR 08 100IN CO.IES

POLAR GRAPH



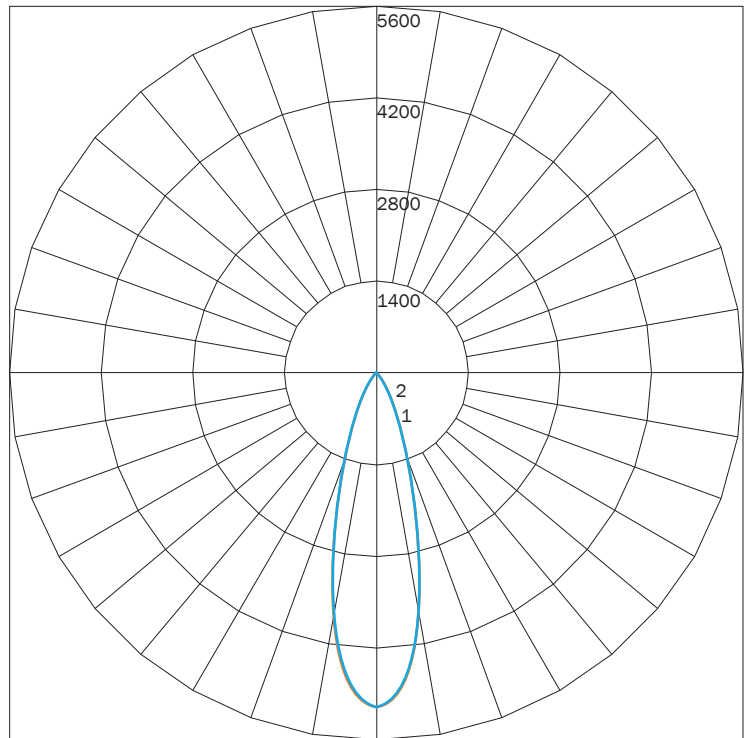
MAXIMUM CANDELA = 637.69 LOCATED AT HORIZONTAL ANGLE = 60, VERTICAL ANGLE = 5
 # 1 - VERTICAL PLANE THROUGH HORIZONTAL ANGLES (90 - 270)
 # 2 - VERTICAL PLANE THROUGH HORIZONTAL ANGLES (0 - 180)

LUMINAIRE LUMENS 1219
TOTAL LUMINAIRE EFFICIENCY 72
LUMINAIRE EFFICACY RATING 12
TOTAL LUMINAIRE WATTS 100

IES INDOOR REPORT

PHOTOMETRIC FILENAME : MAR 14 19LED CO.IES

POLAR GRAPH



MAXIMUM CANDELA = 5102.8 LOCATED AT HORIZONTAL ANGLE = 0, VERTICAL ANGLE = 0
 # 1 - VERTICAL PLANE THROUGH HORIZONTAL ANGLES (90 - 270)
 # 2 - VERTICAL PLANE THROUGH HORIZONTAL ANGLES (0 - 180)

LUMINAIRE LUMENS 1922
TOTAL LUMINAIRE EFFICIENCY NA
LUMINAIRE EFFICACY RATING 89
TOTAL LUMINAIRE WATTS 22

FINISHES



PREMIUM FINISHES



PREMIUM MATERIALS



1: FINISHES IS APPLIED TO THE INTERIOR AND EXTERIOR OF THE FIXTURE.

2: MATERIALS ARE CONSISTENT (INTERIOR & EXTERIOR). STEMS AND CANOPIES WILL BE F16 GLOSS BLACK.

NOTE: ALL FINISHES NOT MARKED WITH NOTATION (1) ARE APPLIED TO THE EXTERIOR ONLY. THE INTERIOR WILL BE F05 GLOSS WHITE.

MATTE FINISHES AVAILABLE. CONSULT FACTORY.

FINISHES ARE SUBJECT TO AVAILABILITY AND MAY NOT BE APPLICABLE TO ALL FIXTURES OR FOR QUICKSHIP.

DISPLAYED FINISHES DIFFER BETWEEN SCREENS AS WELL AS PRINTERS AND MAY NOT ACCURATELY DEPICT COLOR.