

PROJECT: \_\_\_\_\_

TYPE: \_\_\_\_\_

QUANTITY: \_\_\_\_\_



## PN: 871MA

<b>APPLICATION</b>	<ul style="list-style-type: none"> <li>• PENDANT MOUNT</li> <li>• INDOOR RATED</li> </ul>
<b>DIMENSION</b>	<ul style="list-style-type: none"> <li>• 16", 27" (41CM, 69CM)</li> </ul>
<b>ILLUMINATION</b>	<ul style="list-style-type: none"> <li>• INDIRECT/DIRECT</li> <li>• LED 90CRI</li> <li>• 1,120 - 1,883 LUMENS</li> </ul>
<b>ELECTRICAL</b>	<ul style="list-style-type: none"> <li>• 120V, 277V AND 347V</li> </ul>
<b>DIFFUSERS</b>	<ul style="list-style-type: none"> <li>• HIGH EFFICIENCY ACRYLIC</li> </ul>
<b>DUST COVERS</b>	<ul style="list-style-type: none"> <li>• SANDBLASTED OR OPAL - WHITE ACRYLIC</li> </ul>
<b>MOUNTING</b>	<ul style="list-style-type: none"> <li>• 120"(305CM) DROP CORD W/ AIRCRAFT CABLES</li> </ul>
<b>CONSTRUCTION</b>	<ul style="list-style-type: none"> <li>• STEEL</li> </ul>
<b>FINISHES</b>	<ul style="list-style-type: none"> <li>• AVAILABLE IN SEVERAL TMS PLATED, AND POWDER COATED FINISHES</li> <li>• CUSTOM RAL FINISHES AVAILABLE</li> </ul>
<b>WEIGHT</b>	<ul style="list-style-type: none"> <li>• 7 LBS MAXIMUM</li> </ul>



# MALI™ PENDANT



PROJECT: \_\_\_\_\_

TYPE: \_\_\_\_\_

QUANTITY: \_\_\_\_\_

## 871MA

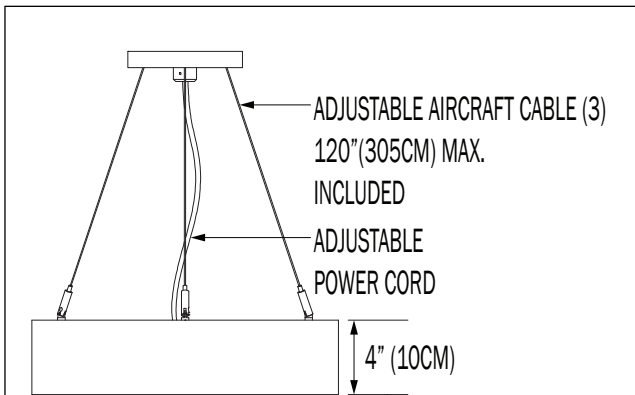
1      2      3      4      5      6      7

<b>1.</b>	<b>16</b>				<b>27</b>					
DIAMETER	16" DIA (41CM)				27" DIA (69CM)					
<b>2.</b>										
ILLUMINATION	60IN4									
LED (W)	240W					240W				
LUMENS	---		---		1573 W/ OD			1883 W/ CD		
<b>3.</b>	<b>120</b>			<b>277</b>				<b>347</b>		
VOLTAGE	120V			277V				347V		
<b>4.</b>	<b>SN</b>	<b>SB</b>	<b>CH</b>	<b>BC</b>	<b>AC</b>	<b>AB</b>	<b>PB</b>	<b>F04</b>	<b>F05</b>	<b>F16</b>
FINISH	SATIN NICKEL	SATIN BRASS	CHROME	BLACK CHROME	ANTIQUE COPPER	ANTIQUE BRASS	POLISHED COPPER	MATTE WHITE	GLOSS WHITE	GLOSS BLACK
	<b>F33</b>	<b>RAL</b>								
	PYRITE BRONZE	CUSTOM (SPECIFY)								
<b>5.</b>	<b>BC</b>					<b>WC</b>				
CORD	BLACK CORD					WHITE CORD				
<b>6.</b>	<b>OP</b>					<b>SD</b>				
DIFFUSER	OPAL - WHITE ACRYLIC					SAND - BLASTED WHITE				
<b>7.</b>	---		<b>16 CD</b>		<b>27 CD</b>		<b>16 OD</b>		<b>27 OD</b>	
DUST COVER	NONE		16" (41CM) CLEAR DUST COVER		27" (69CM) CLEAR DUST COVER		16" (41CM) OPAL - WHITE DUST COVER		27" (41CM) OPAL - WHITE DUST COVER	

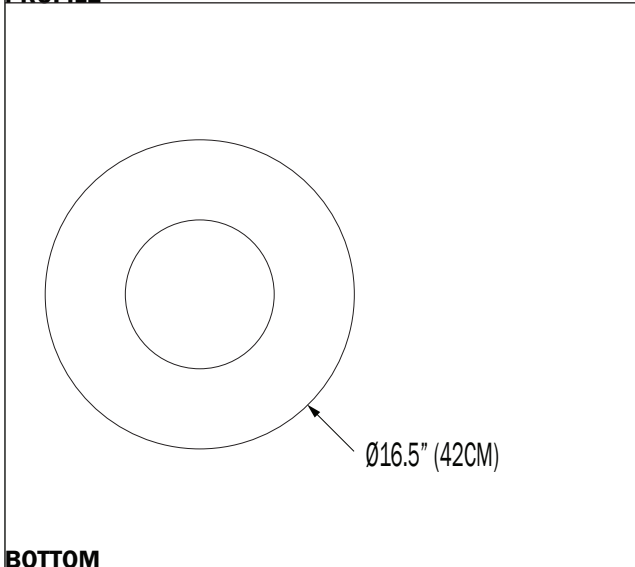
NOTE: SOME OPTIONS MAY NOT BE COMPATIBLE WITH OTHERS. ALL SPECIFICATIONS ARE SUBJECT TO CHANGE WITHOUT NOTICE. CONTACT TMS LIGHTING FOR UPDATED SPECIFICATIONS.

## 871MA - 16"

6 LB



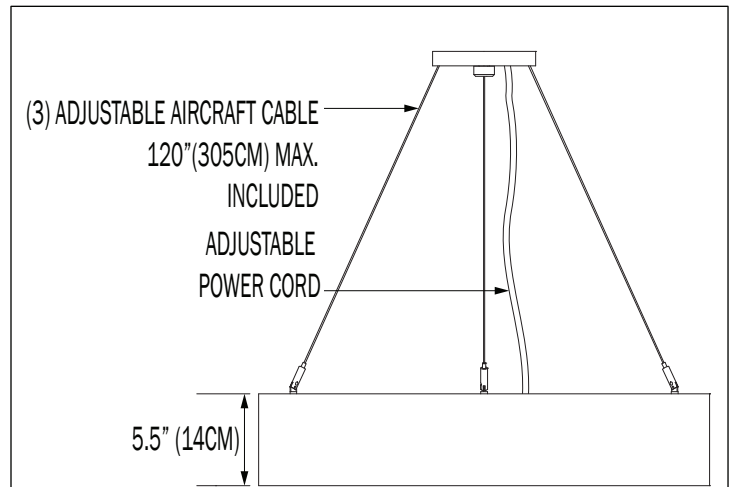
PROFILE



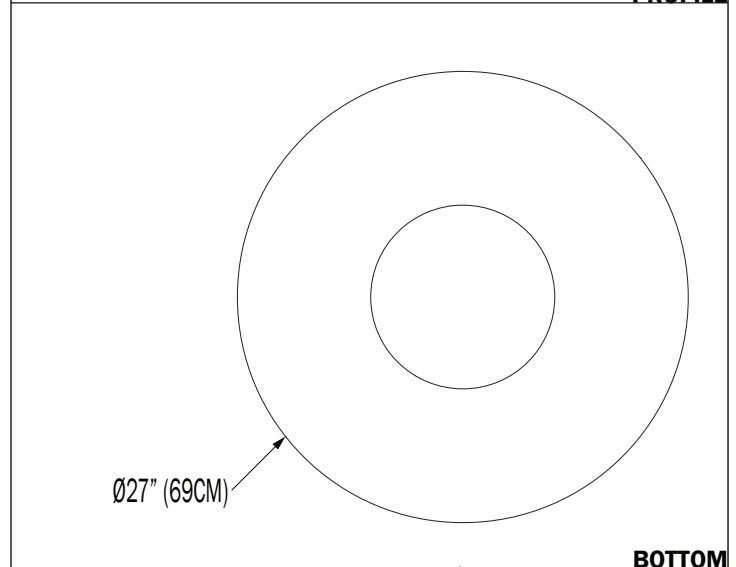
BOTTOM

## 871MA - 27"

7 LB



PROFILE



BOTTOM

### CUSTOM

NOTE: THIS FIXTURE CAN BE CUSTOMIZE. DIMENSION, LAMP TYPES, ENCLOSURE, AND COLOR CAN BE MODIFIED TO SUIT YOUR LIGHTING AND ARCHITECTURAL REQUIREMENTS. CONTACT YOUR LOCAL REPRESENTATIVE FOR MORE DETAILS: <https://tmslighting.com/sales-agents.html>

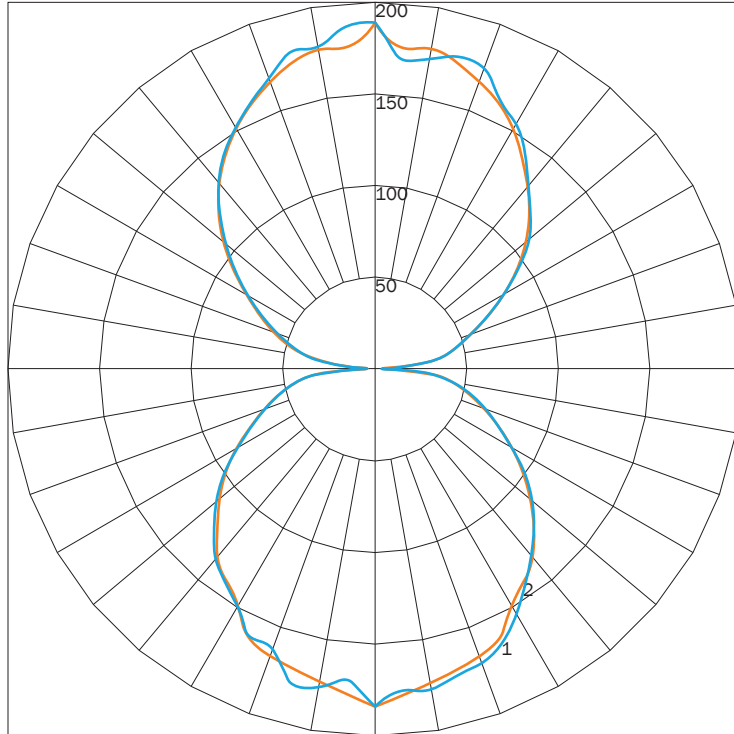
## INDIRECT/DIRECT

PN	SIZE (DIA)	DUST COVER	LUMENS	WATTAGE
871MA	27	OD	1120	240
			1573	240
		CD	1442	240
			1883	240

### IES INDOOR REPORT

PHOTOMETRIC FILENAME : 871MA 27 60IN4 F32 OP OD.IES

### POLAR GRAPH



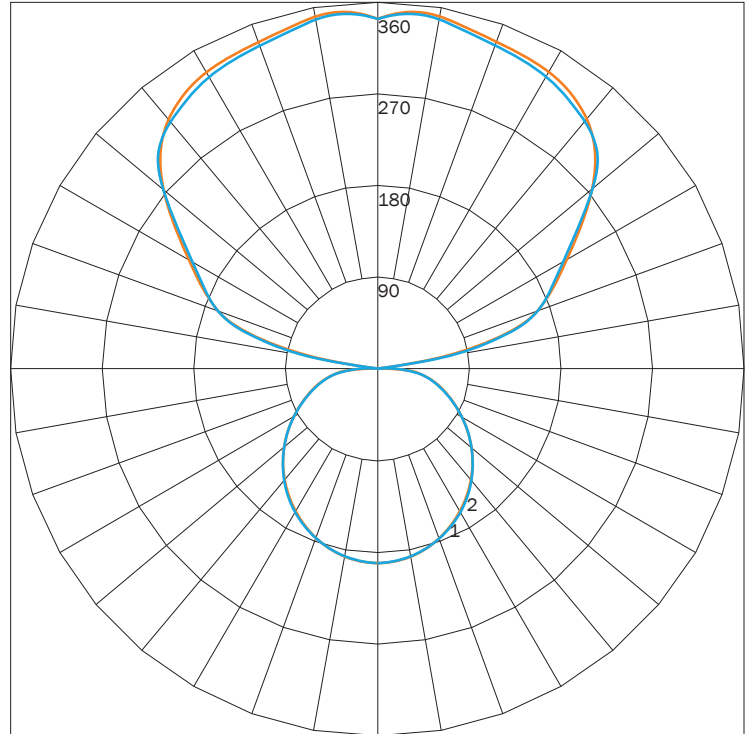
MAXIMUM CANDELA = 194.82 LOCATED AT HORIZONTAL ANGLE = 45, VERTICAL ANGLE = 175  
 # 1 - VERTICAL PLANE THROUGH HORIZONTAL ANGLES (90 - 270)  
 # 2 - VERTICAL PLANE THROUGH HORIZONTAL ANGLES (0 - 180)

**LUMINAIRE LUMENS** 1120  
**TOTAL LUMINAIRE EFFICIENCY** 34%  
**LUMINAIRE EFFICACY RATING** 5  
**TOTAL LUMINAIRE WATTS** 240

### IES INDOOR REPORT

PHOTOMETRIC FILENAME : 871MA 27 60IN4 F31 OP CD.IES

### POLAR GRAPH



MAXIMUM CANDELA = 358.31 LOCATED AT HORIZONTAL ANGLE = 0, VERTICAL ANGLE = 175  
 # 1 - VERTICAL PLANE THROUGH HORIZONTAL ANGLES (90 - 270)  
 # 2 - VERTICAL PLANE THROUGH HORIZONTAL ANGLES (0 - 180)

**LUMINAIRE LUMENS** 1883  
**TOTAL LUMINAIRE EFFICIENCY** 57%  
**LUMINAIRE EFFICACY RATING** 8  
**TOTAL LUMINAIRE WATTS** 240

## AVAILABLE FINISHES



**SN**  
SATIN  
NICKEL



**SB**  
SATIN  
BRASS



**CH**  
CHROME



**BC**  
BLACK  
CHROME



**AC**  
ANTIQUÉ  
COPPER



**AB**  
ANTIQUÉ  
BRASS



**PB**  
POLISHED  
BRASS



**F04**  
MATTE  
WHITE



**F05**  
GLOSS  
WHITE



**F16**  
GLOSS  
BLACK



**F33**  
PYRITE  
BRONZE



**RAL**  
CUSTOM  
COLOR  
(RAL #)

NOTE: DISPLAYED FINISHES DIFFER BETWEEN SCREENS AS WELL AS PRINTERS AND MAY NOT ACCURATELY DEPICT COLOR.