

PROJECT: _____

TYPE: _____

QUANTITY: _____



PN: 871MA

APPLICATION	<ul style="list-style-type: none"> • PENDANT MOUNT • INDOOR RATED
DIMENSION	<ul style="list-style-type: none"> • 16", 27" (41CM, 69CM)
ILLUMINATION	<ul style="list-style-type: none"> • INDIRECT/DIRECT • LED 90CRI • 1,120 - 1,883 LUMENS
ELECTRICAL	<ul style="list-style-type: none"> • 120V, 277V AND 347V • 10kA SURGE SUPPRESSION STANDARD
DIFFUSERS	<ul style="list-style-type: none"> • HIGH EFFICIENCY ACRYLIC
DUST COVERS	<ul style="list-style-type: none"> • SANDBLASTED OR OPAL - WHITE ACRYLIC
MOUNTING	<ul style="list-style-type: none"> • 120"(305CM) DROP CORD W/ AIRCRAFT CABLES
CONSTRUCTION	<ul style="list-style-type: none"> • STEEL
FINISHES	<ul style="list-style-type: none"> • AVAILABLE IN SEVERAL TMS PLATED, AND POWDER COATED FINISHES • CUSTOM RAL FINISHES AVAILABLE
WEIGHT	<ul style="list-style-type: none"> • 7 LBS MAXIMUM



MALI™ PENDANT



PROJECT: _____

TYPE: _____

QUANTITY: _____

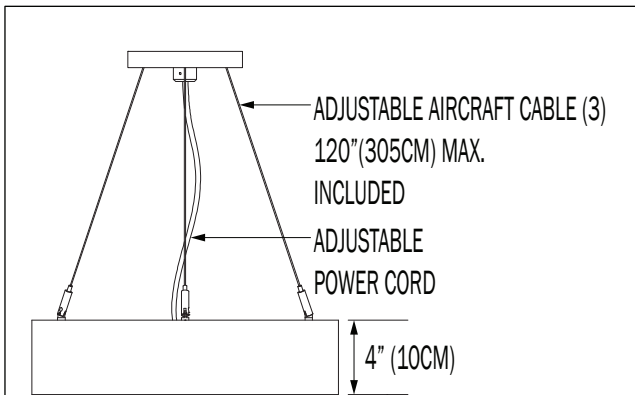
871MA - - - - - 1 - - - - - 2 - - - - - 3 - - - - - 4 - - - - - 5 - - - - - 6

1.	16				27					
DIAMETER	16" DIA (41CM)				27" DIA (69CM)					
2.										
ILLUMINATION	60IN4									
LED (W)	240W					240W				
LUMENS	---		---		1573 W/ OD			1883 W/ CD		
3.	120			277				347		
VOLTAGE	120V			277V				347V		
4.	SN	SB	CH	BC	AC	AB	PB	F04	F05	F16
FINISH	SATIN NICKEL	SATIN BRASS	CHROME	BLACK CHROME	ANTIQUE COPPER	ANTIQUE BRASS	POLISHED COPPER	MATTE WHITE	GLOSS WHITE	GLOSS BLACK
	F33	RAL								
	PYRITE BRONZE	CUSTOM (SPECIFY)								
5.	OP					SD				
DIFFUSER	OPAL - WHITE ACRYLIC					SAND - BLASTED WHITE				
6.	---		16 CD		27 CD		16 OD		27 OD	
DUST COVER	NONE		16" (41CM) CLEAR DUST COVER		27" (69CM) CLEAR DUST COVER		16" (41CM) OPAL - WHITE DUST COVER		27" (41CM) OPAL - WHITE DUST COVER	

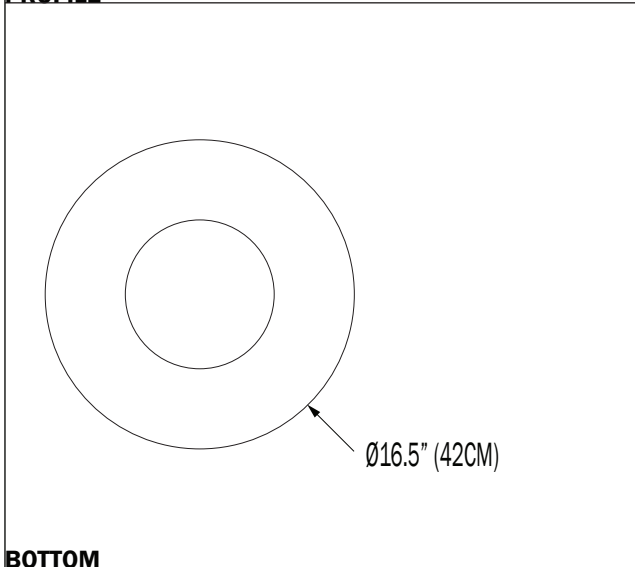
NOTE: SOME OPTIONS MAY NOT BE COMPATIBLE WITH OTHERS. ALL SPECIFICATIONS ARE SUBJECT TO CHANGE WITHOUT NOTICE. CONTACT TMS LIGHTING FOR UPDATED SPECIFICATIONS.

871MA - 16"

6 LB



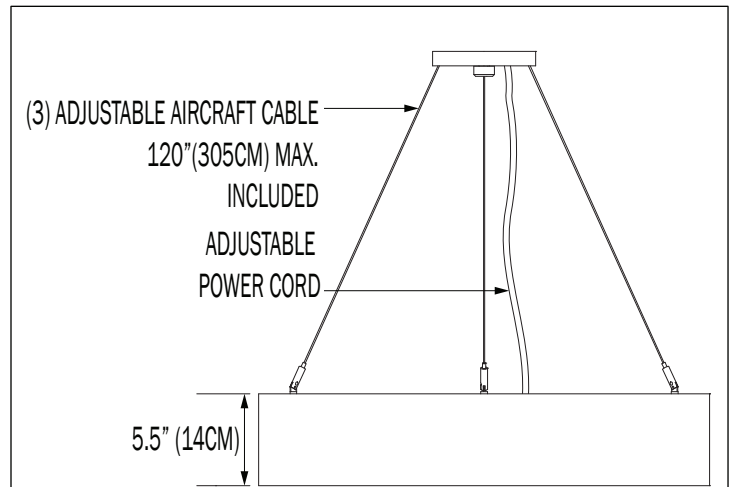
PROFILE



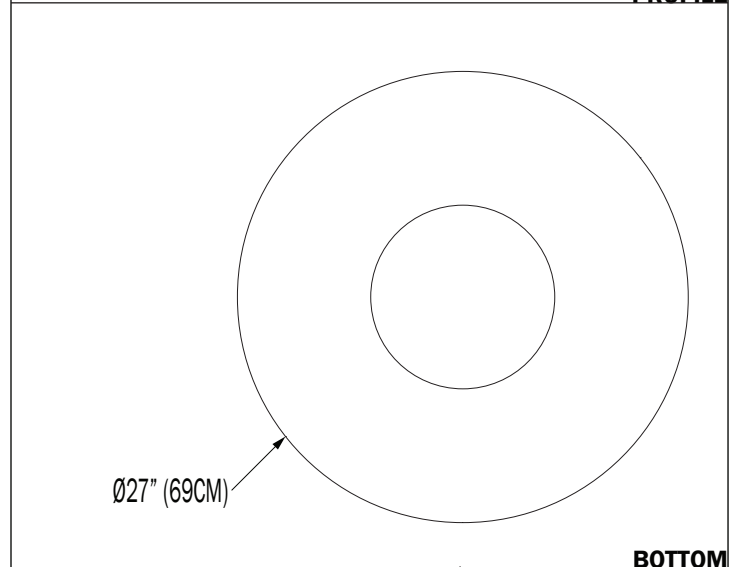
BOTTOM

871MA - 27"

7 LB



PROFILE



BOTTOM

CUSTOM

NOTE: THIS FIXTURE CAN BE CUSTOMIZE. DIMENSION, LAMP TYPES, ENCLOSURE, AND COLOR CAN BE MODIFIED TO SUIT YOUR LIGHTING AND ARCHITECTURAL REQUIREMENTS. CONTACT YOUR LOCAL REPRESENTATIVE FOR MORE DETAILS: <https://tmslighting.com/sales-agents.html>

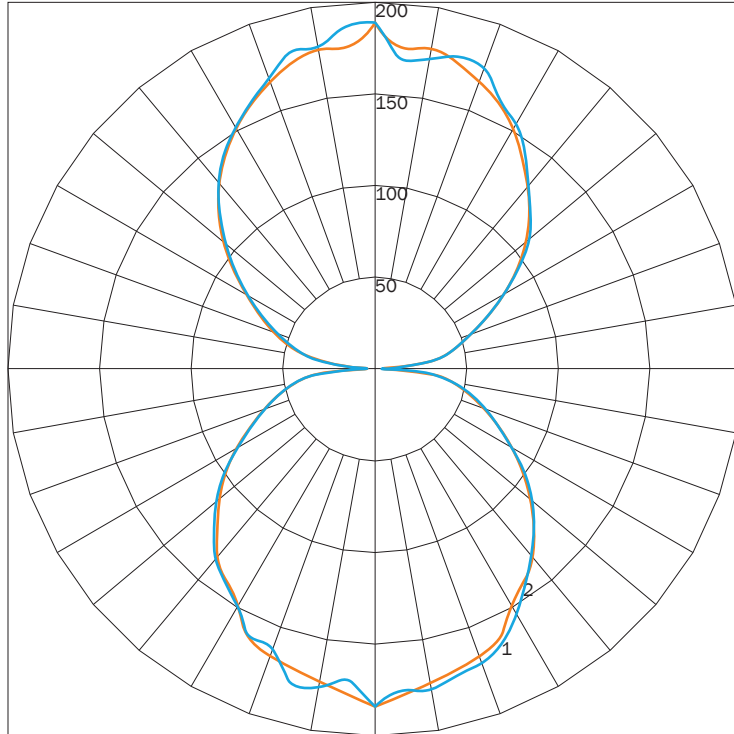
INDIRECT/DIRECT

PN	SIZE (DIA)	DUST COVER	LUMENS	WATTAGE
871MA	27	OD	1120	240
			1573	240
		CD	1442	240
			1883	240

IES INDOOR REPORT

PHOTOMETRIC FILENAME : 871MA 27 60IN4 F32 OP OD.IES

POLAR GRAPH



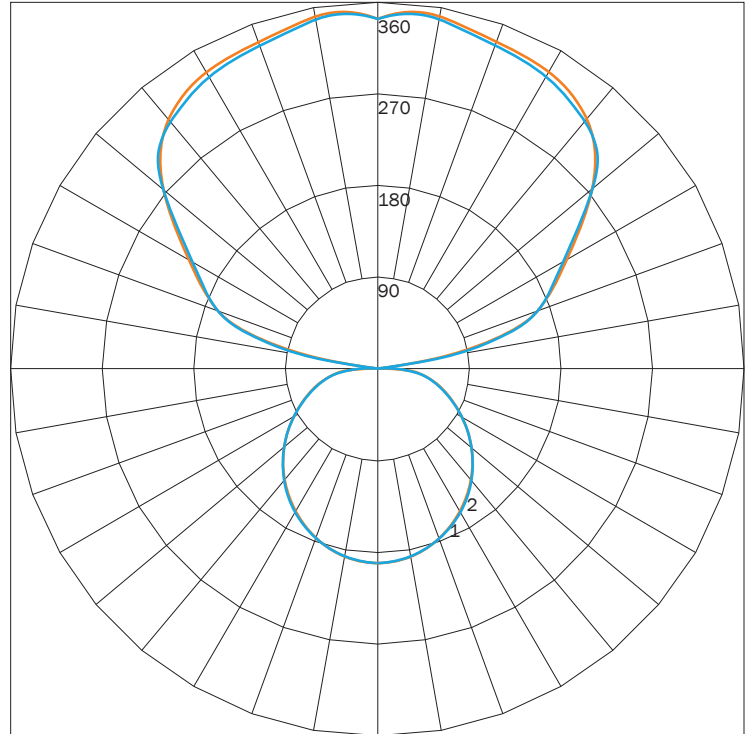
MAXIMUM CANDELA = 194.82 LOCATED AT HORIZONTAL ANGLE = 45, VERTICAL ANGLE = 175
 # 1 - VERTICAL PLANE THROUGH HORIZONTAL ANGLES (90 - 270)
 # 2 - VERTICAL PLANE THROUGH HORIZONTAL ANGLES (0 - 180)

LUMINAIRE LUMENS 1120
TOTAL LUMINAIRE EFFICIENCY 34%
LUMINAIRE EFFICACY RATING 5
TOTAL LUMINAIRE WATTS 240

IES INDOOR REPORT

PHOTOMETRIC FILENAME : 871MA 27 60IN4 F31 OP CD.IES

POLAR GRAPH



MAXIMUM CANDELA = 358.31 LOCATED AT HORIZONTAL ANGLE = 0, VERTICAL ANGLE = 175
 # 1 - VERTICAL PLANE THROUGH HORIZONTAL ANGLES (90 - 270)
 # 2 - VERTICAL PLANE THROUGH HORIZONTAL ANGLES (0 - 180)

LUMINAIRE LUMENS 1883
TOTAL LUMINAIRE EFFICIENCY 57%
LUMINAIRE EFFICACY RATING 8
TOTAL LUMINAIRE WATTS 240

AVAILABLE FINISHES



SN
SATIN
NICKEL



SB
SATIN
BRASS



CH
CHROME



BC
BLACK
CHROME



AC
ANTIQU
COPPER



AB
ANTIQU
BRASS



PB
POLISH
BRASS



F04
MATTE
WHITE



F05
GLOSS
WHITE



F16
GLOSS
BLACK



F33
PYRITE
BRONZE



RAL
CUSTOM
COLOR
(RAL #)

NOTE: DISPLAYED FINISHES DIFFER BETWEEN SCREENS AS WELL AS PRINTERS AND MAY NOT ACCURATELY DEPICT COLOR.