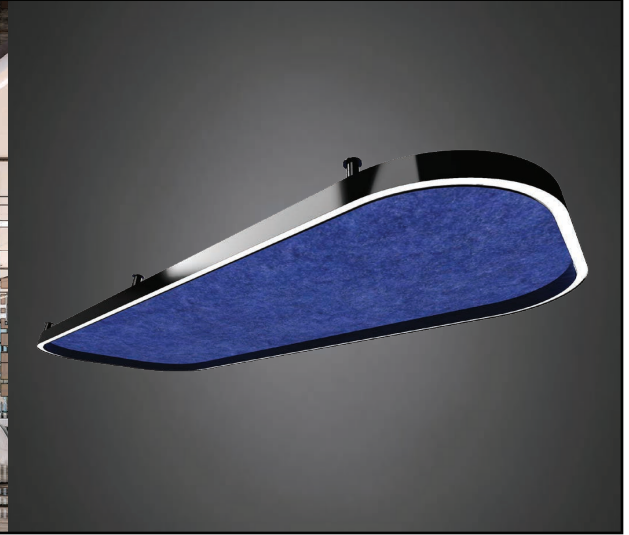


LUNA ZEST ACOUSTIC™ CEILING

PROJECT: _____

TYPE: _____

QUANTITY: _____



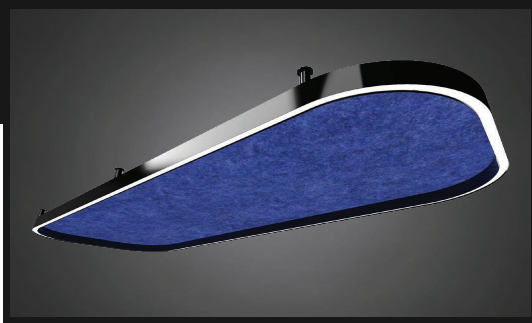
PN: 941LURSCL

APPLICATION	<ul style="list-style-type: none"> • CEILING • INDOOR RATED
DIMENSION	<ul style="list-style-type: none"> • LENGTH: 60", 72", 84", AND 96" (152CM, 183CM, 213CM, AND 244) • WIDTH: 36" AND 48" (91CM AND 122CM)
ILLUMINATION	<ul style="list-style-type: none"> • DIRECT • LED 90CRI • 4,483 - 7,240 LUMENS
DRIVER	<ul style="list-style-type: none"> • 120V, 277V, AND 347V • 10KA SURGE SUPPRESSION STANDARD
DIFFUSERS	<ul style="list-style-type: none"> • HIGH EFFICIENCY ACRYLIC
MOUNTING	<ul style="list-style-type: none"> • REMOTE OR CEILING MOUNTED CANOPY
CONSTRUCTION	<ul style="list-style-type: none"> • ALUMINUM
FINISHES	<ul style="list-style-type: none"> • AVAILABLE IN SEVERAL TMS POWDER COATED FINISHES • CUSTOM RAL FINISHES AVAILABLE
DIMMING	<ul style="list-style-type: none"> • 0 - 10V STANDARD DIMMING • LUTRON HI - LUME (1%)
WEIGHT	<ul style="list-style-type: none"> • 40 LBS MAXIMUM



DIRECT

LUNA ZEST ACOUSTIC™ CEILING



PROJECT: _____
 TYPE: _____
 QUANTITY: _____

941LURSCL

1 2 3 4 5 6 7 8

1.	5L3WD	6L3WD	7L3WD	7L4WD	8L3WD	8L4WD
SIZE	60" X 36"	72" X 36"	84" X 36"	84" X 48"	96" X 36"	96" X 48"
LED (W)	48W	55W	63W	70W	70W	77W
LUMENS	4483	5167	5859	6547	6547	7240

2.	H	M	L	C: _____ ¹
OUTPUT	100% LUMENS	75% LUMENS	50% LUMENS	[CUSTOM]% LUMENS

3.	CW	MA	CA	RH	SG	HG	SL	CH
ACOUSTIC COLOR	COCONUT WHITE	MARBLE	CAPPUCCINO	RHINO GREY	STEEL GREY	HEATHER GREY	SLATE	CHARCOAL
	TA	RR	MT	GG	GA	LB	DO	CG
	TANGERINE	RUBY RED	MANGO TWIST	GOLF GREEN	GREEN APPLE	LINEN BLUE	DEEP OCEAN	CYBER GRAPE

4.	30K	35K	40K
LED CCT	3000K	3500K	4000K

5.	120	277	347
VOLTAGE	120V	277V	347V

6.	CD	RM
DRIVER	CANOPY MOUNT	REMOTE MOUNT

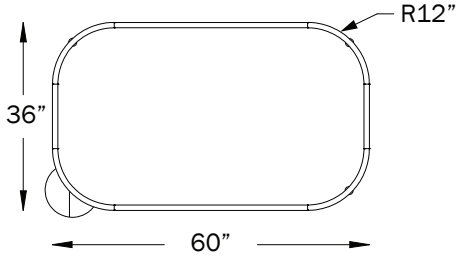
7.	F04	F05	F09	F15	F16	F18	F21	F31	F33	RAL
FINISH	MATTE WHITE	GLOSS WHITE	PEWTER	MATTE BLACK	GLOSS BLACK	SATIN ALUMINUM	ARCH BRONZE	SILVER METALLIC	PYRITE BRONZE	CUSTOM (SPECIFY)

8.	DIML	DIME
DIMMING	LED DIMMING (0 - 10V, CURRENT - SINKING)	LUTRON HI - LUME 1%

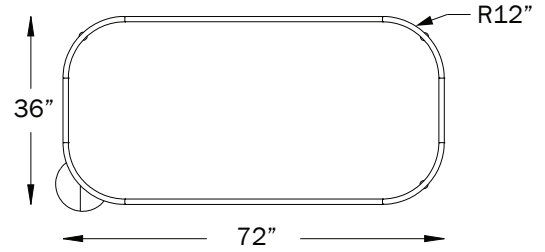
1. CUSTOM PERCENTAGE I.E. 60%. CONSULT FACTORY.

NOTE: SOME OPTIONS MAY NOT BE COMPATIBLE WITH OTHERS. ALL SPECIFICATIONS ARE SUBJECT TO CHANGE WITHOUT NOTICE. CONTACT TMS LIGHTING FOR UPDATED SPECIFICATIONS.

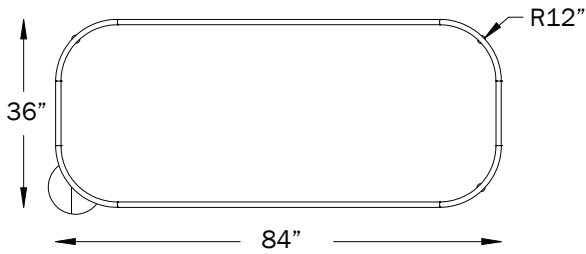
LUNA ZEST ACOUSTIC™ CEILING



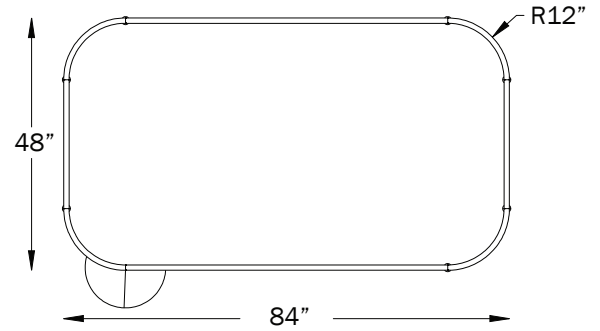
5L3W



6L3W



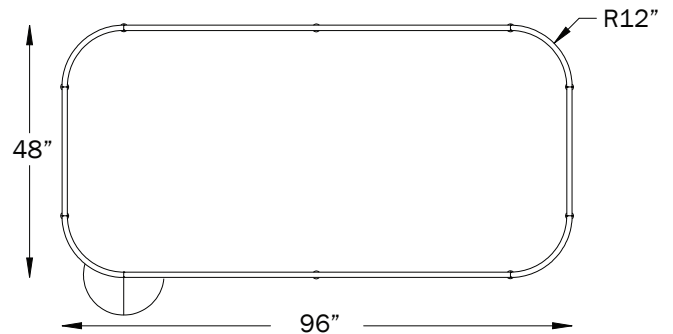
7L3W



7L4W

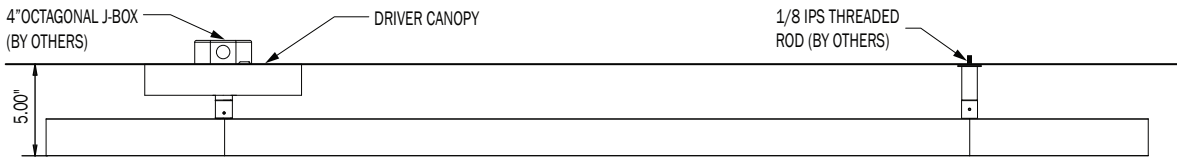
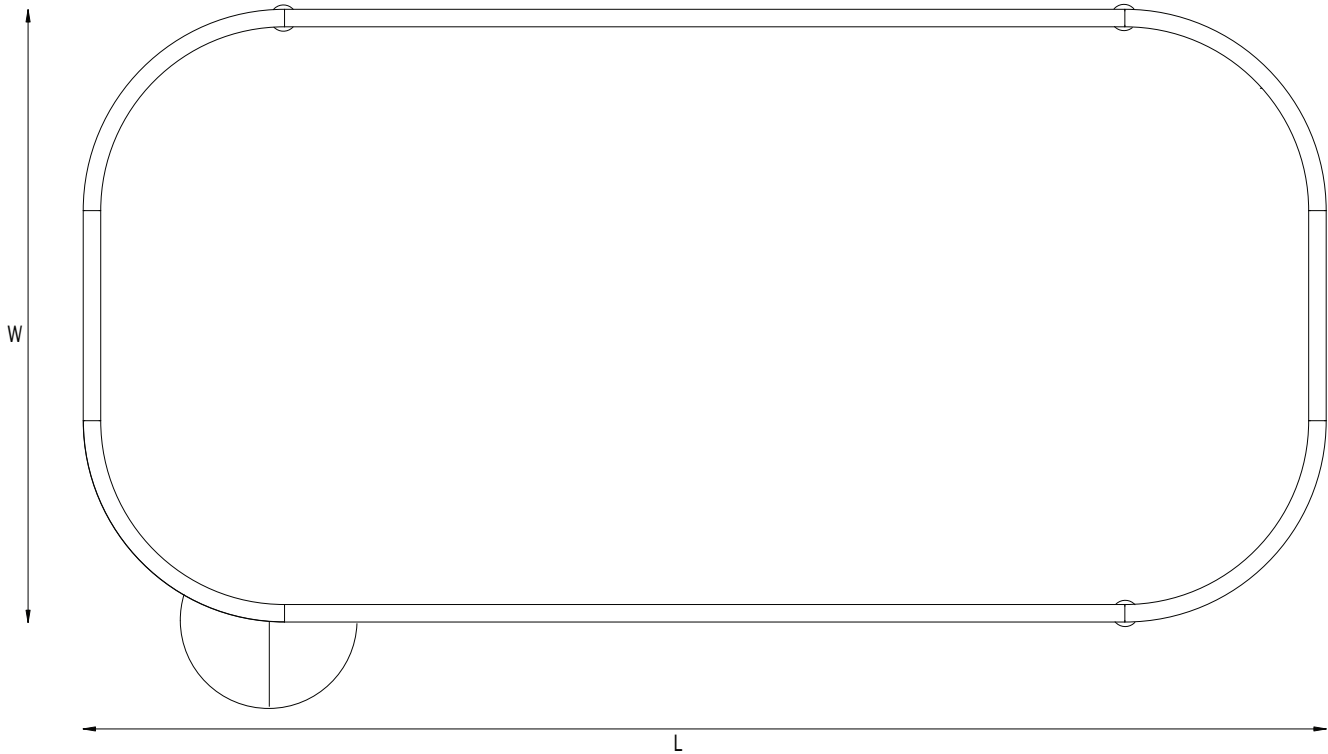


8L3W

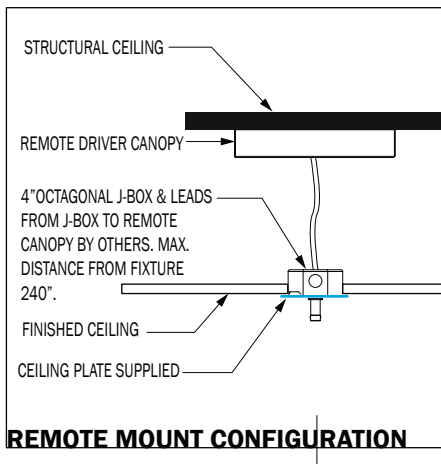


8L4W

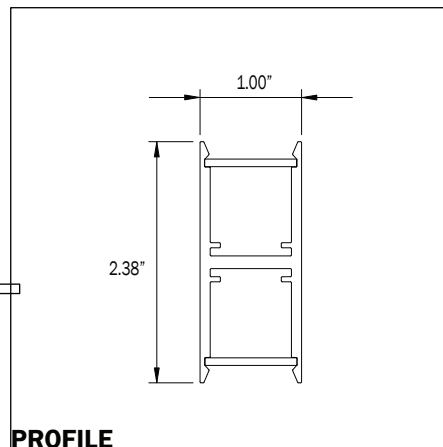
LUNA ZEST ACOUSTIC™ CEILING



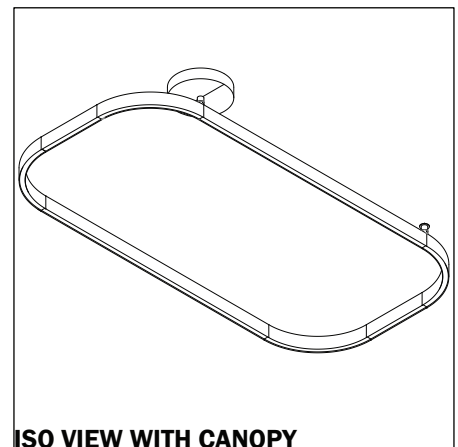
CEILING MOUNT CONFIGURATION



REMOTE MOUNT CONFIGURATION



PROFILE



ISO VIEW WITH CANOPY

LUNA ZEST ACOUSTIC™ CEILING

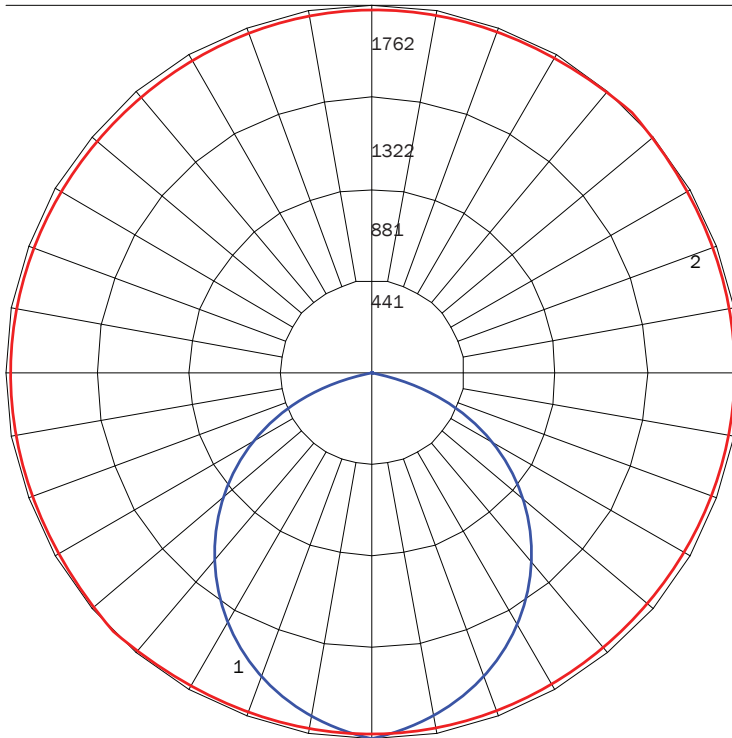
DIRECT

PN	SIZE	LUMENS	WATTAGE	WEIGHT
941LURSCL	5L3WD	4483	48	25 LBS
	6L3WD	5167	55	29 LBS
	7L3WD	5859	63	32 LBS
	7L4WD	6547	70	35 LBS
	8L3WD	6547	70	38 LBS
	8L4WD	7240	77	40 LBS

IES INDOOR REPORT

PHOTOMETRIC FILENAME : 941LURSCL DO 5L3WD 35K F05

POLAR GRAPH



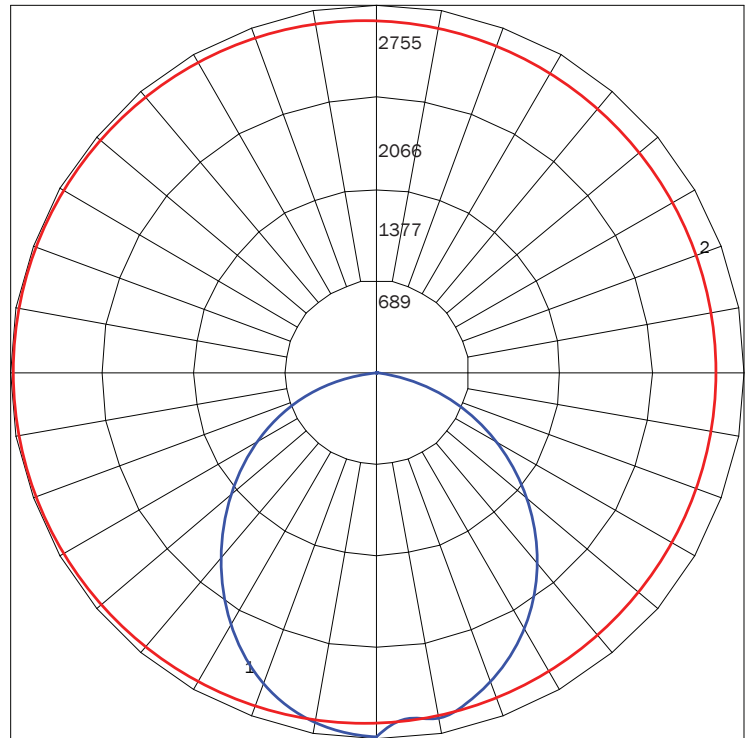
MAXIMUM CANDELA = 1762.2 LOCATED AT HORIZONTAL ANGLE = 157.5, VERTICAL ANGLE = 5
 # 1 - VERTICAL PLANE THROUGH HORIZONTAL ANGLES (157.5 - 337.5) (THROUGH MAX. CD)
 # 2 - HORIZONTAL CONE THROUGH VERTICAL ANGLE (5) (THROUGH MAX. CD)

LUMINAIRE LUMENS 4483
TOTAL LUMINAIRE EFFICIENCY 60%
LUMINAIRE EFFICACY RATING 94
TOTAL LUMINAIRE WATTS 48

IES INDOOR REPORT

PHOTOMETRIC FILENAME : 941LURSCL DO 8L4WD 35K F05

POLAR GRAPH



MAXIMUM CANDELA = 2754.88 LOCATED AT HORIZONTAL ANGLE = 157.5, VERTICAL ANGLE = 5
 # 1 - VERTICAL PLANE THROUGH HORIZONTAL ANGLES (157.5 - 337.5) (THROUGH MAX. CD)
 # 2 - HORIZONTAL CONE THROUGH VERTICAL ANGLE (5) (THROUGH MAX. CD)

LUMINAIRE LUMENS 7240
TOTAL LUMINAIRE EFFICIENCY 60%
LUMINAIRE EFFICACY RATING 94
TOTAL LUMINAIRE WATTS 78

LUNA ZEST ACOUSTIC™ CEILING

AVAILABLE FINISHES



F04
MATTE
WHITE



F05
GLOSS
WHITE



F09
PEWTER



F15
MATTE
BLACK



F16
GLOSS
BLACK



F18
SATIN
ALUMINUM



F21
ARCH
BRONZE



F31
SILVER
METALLIC

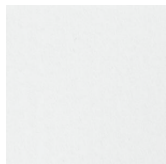


F33
PYRITE
BRONZE



RAL
CUSTOM
COLOR
(RAL #)

ACOUSTIC COLOURS



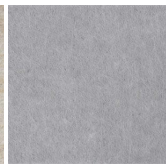
CW
COCONUT
WHITE



MA
MARBLE



CA
CAPPUCCINO



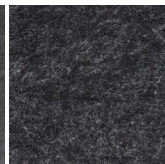
RG
RHINO
GREY



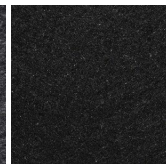
SG
STEEL
GREY



HG
HEATHER
GREY



SL
SLATE



CH
CHARCOAL



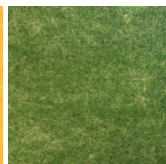
TA
TANGERINE



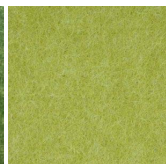
RR
RUBY
RED



MT
MANGO
TWIST



GG
GOLF
GREEN



GA
GREEN
APPLE



LB
LINEN
BLUE



DO
DEEP
OCEAN



CG
CYBER
GRAPE

NOTE: DISPLAYED FINISHES DIFFER BETWEEN SCREENS AS WELL AS PRINTERS AND MAY NOT ACCURATELY DEPICT COLOR.