

PROJECT: _____

TYPE: _____

QUANTITY: _____



PN: 941LURSC

APPLICATION	<ul style="list-style-type: none"> • DIRECT CEILING • INDOOR RATED
DIMENSION	<ul style="list-style-type: none"> • AVAILABLE IN 60"- 96" LENGTHS AND 36"- 60" WIDTHS • CUSTOM SIZES AVAILABLE
ILLUMINATION	<ul style="list-style-type: none"> • LED 90CRI • 4483 - 7930 LUMENS
ELECTRICAL	<ul style="list-style-type: none"> • 120 - 277V • 6KV SURGE SUPPRESSION STANDARD
DIFFUSERS	<ul style="list-style-type: none"> • HIGH EFFICIENCY ACRYLIC
MOUNTING	<ul style="list-style-type: none"> • REMOTE OR CEILING MOUNTED CANOPY
CONSTRUCTION	<ul style="list-style-type: none"> • ALUMINUM
FINISHES	<ul style="list-style-type: none"> • AVAILABLE IN SEVERAL TMS POLYESTER POWDER COATED FINISHES • CUSTOM RAL FINISHES AVAILABLE
DIMMING	<ul style="list-style-type: none"> • 0 - 10V STANDARD
WEIGHT	<ul style="list-style-type: none"> • 43 LBS MAXIMUM



DIRECT

LUNA ZEST™ CEILING

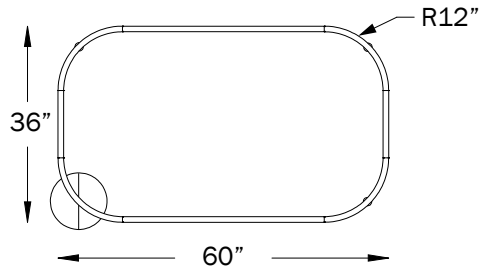


PROJECT: _____
 TYPE: _____
 QUANTITY: _____

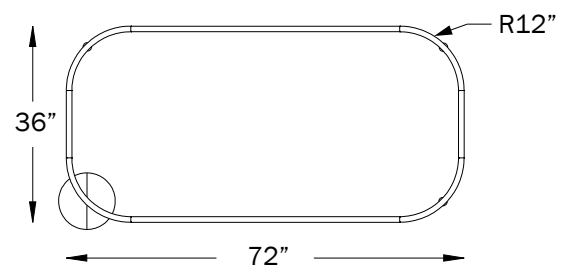
941LURSCL - 1 - 2 - 3 - 4 - 5 - 6

1.	5L3WD	6L3WD	7L3WD	7L4WD	8L3WD	8L4WD	8L5WD	CUS		
LxW (INCH)	60x36	72x36	84x36	84x48	96x36	96x48	96x60	CUSTOM SIZE (SPECIFY LXW)		
LED (W)	48	55	63	70	70	77	85			
LUMENS	4483	5167	5859	6547	6547	7240	7930			
2.	30K			35K			40K			
CCT	3000			3500			4000			
3.	120			UNI			347			
VOLTAGE	120V			120V - 277V			347V			
4.	CD					RM				
DRIVER	CANOPY MOUNT					REMOTE MOUNT				
5.	F05	F09	F15	F16	F18	F19	F21	F31	F33	RAL
FINISH	WHITE	PEWTER	MATTE BLACK	GLOSS BLACK	SATIN ALUMINUM	MIRROR SILVER	ARCH BRONZE	SILVER METALLIC	PYRITE BRONZE	CUSTOM (SPECIFY)
6.	DIML					DIME				
DIMMING	STANDARD 0-10V					LUTRON HI-LUME (1%)				

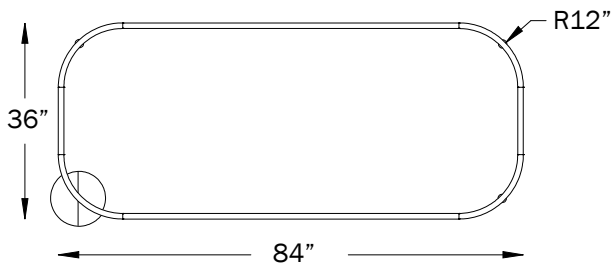
NOTE: SOME OPTIONS MAY NOT BE COMPATIBLE WITH OTHERS. **ALL SPECIFICATIONS ARE SUBJECT TO CHANGE WITHOUT NOTICE.** CONTACT TMS LIGHTING FOR UPDATED SPECIFICATIONS.



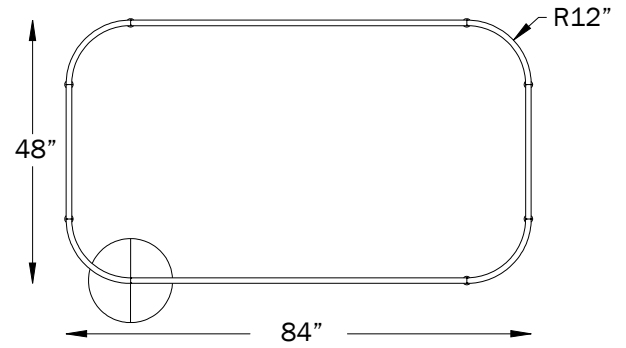
5L3W



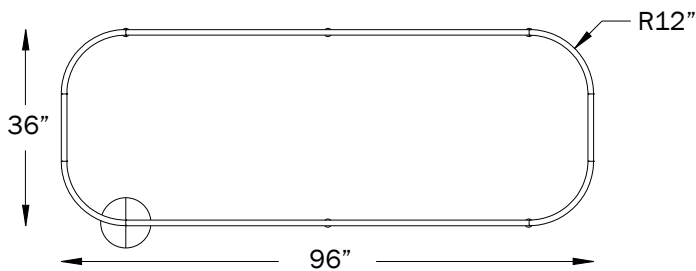
6L3W



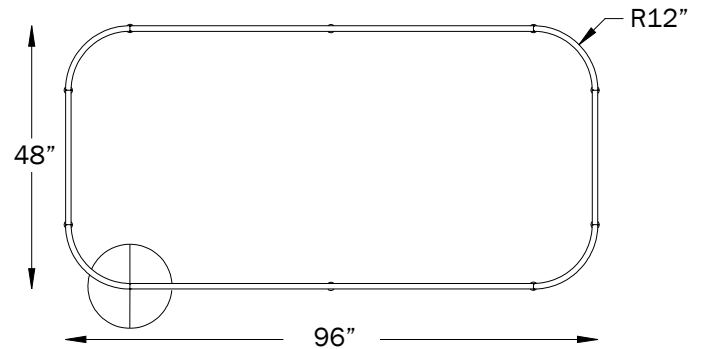
7L3W



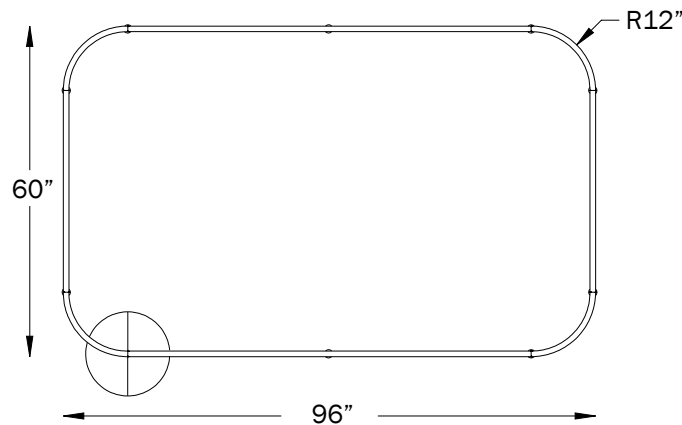
7L4W



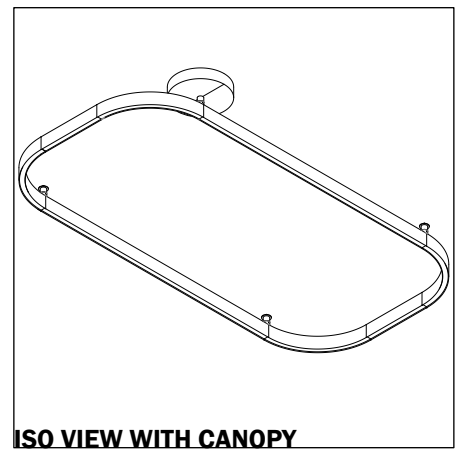
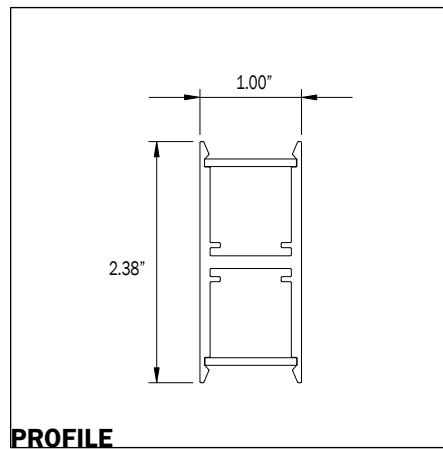
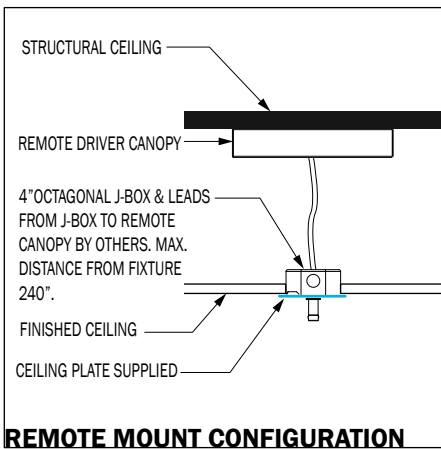
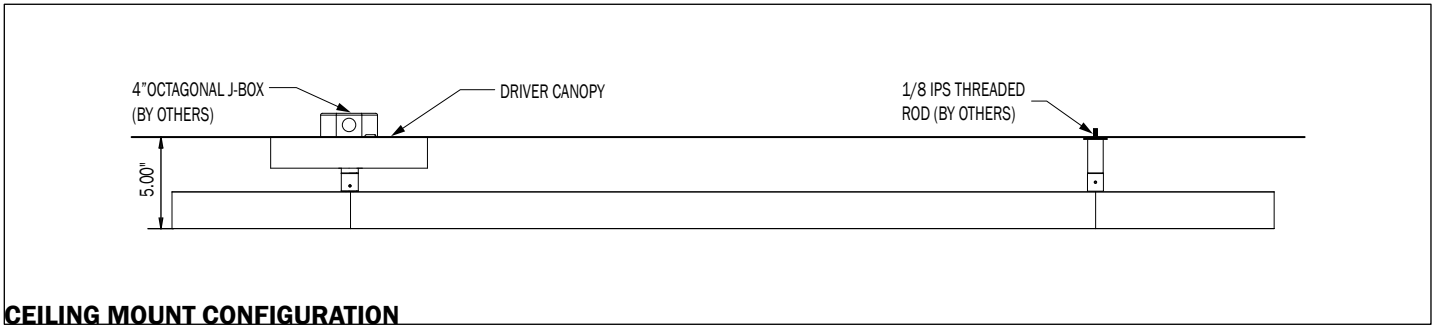
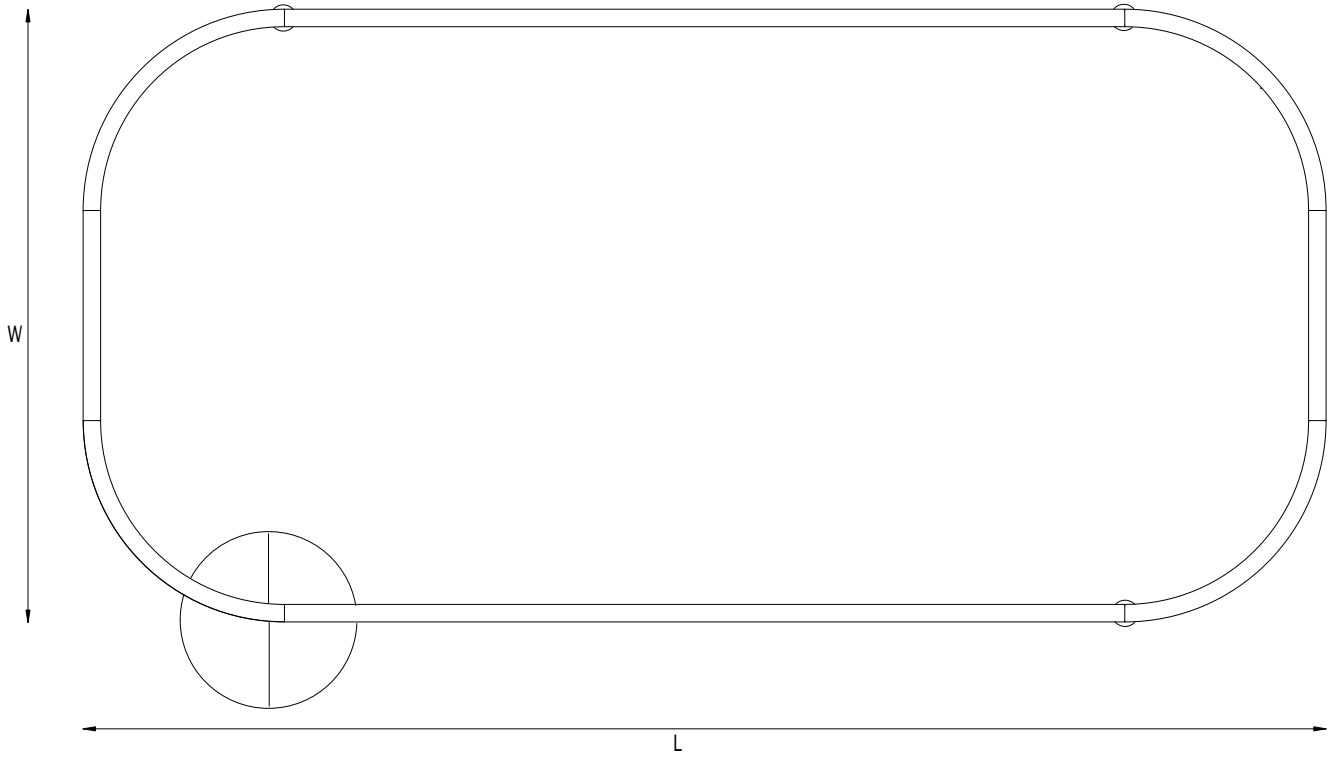
8L3W

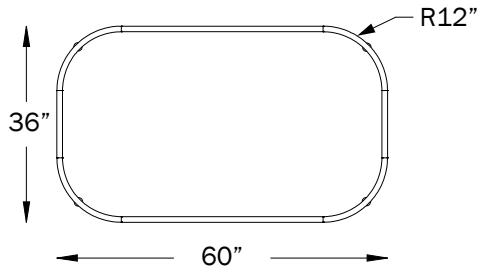


8L4W

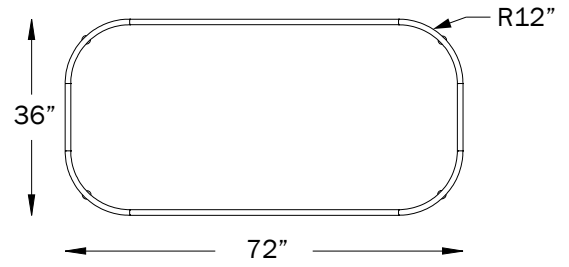


8L5W

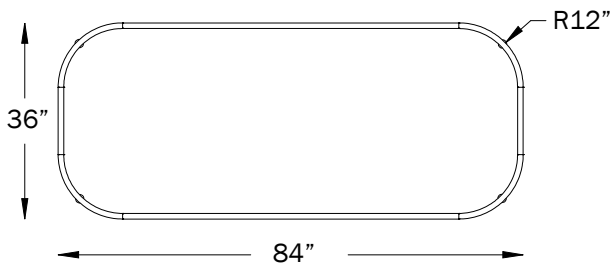




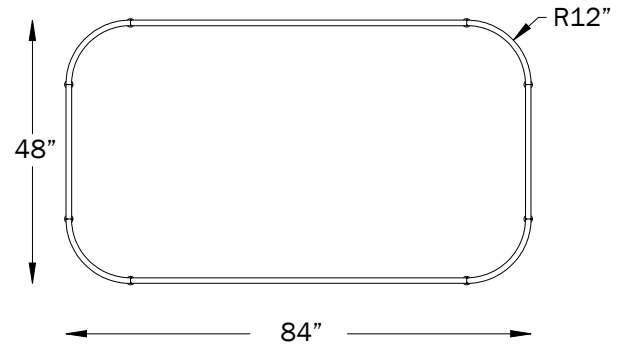
5L3W



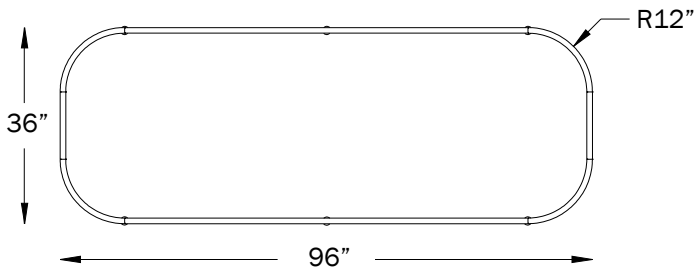
6L3W



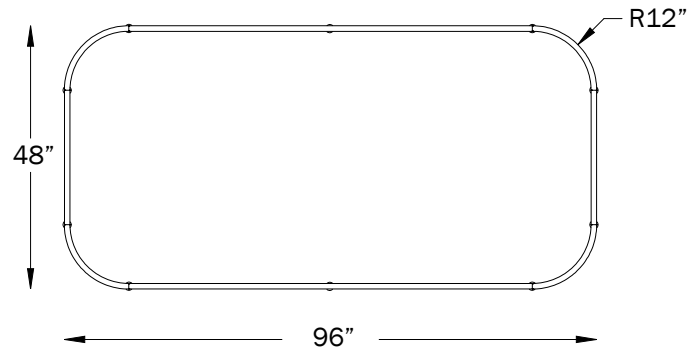
7L3W



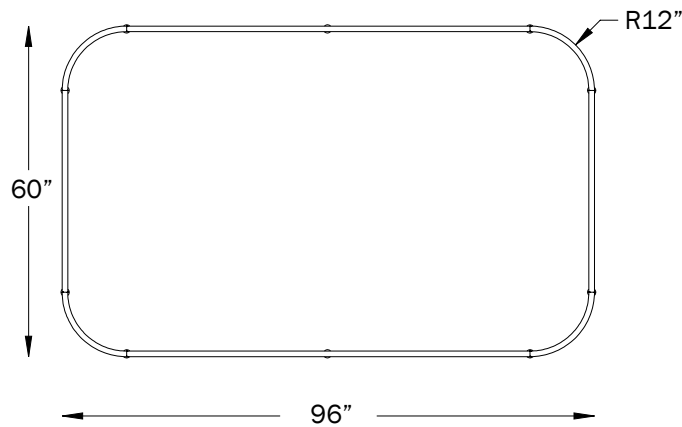
7L4W



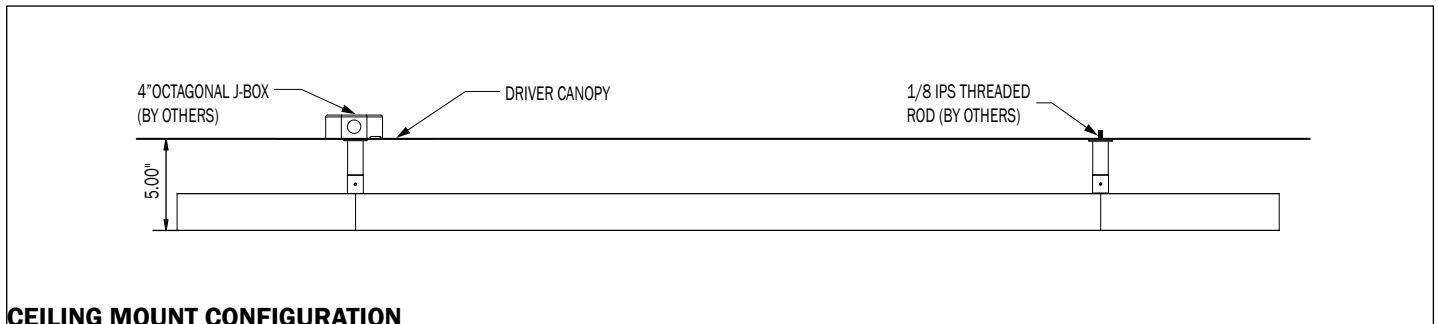
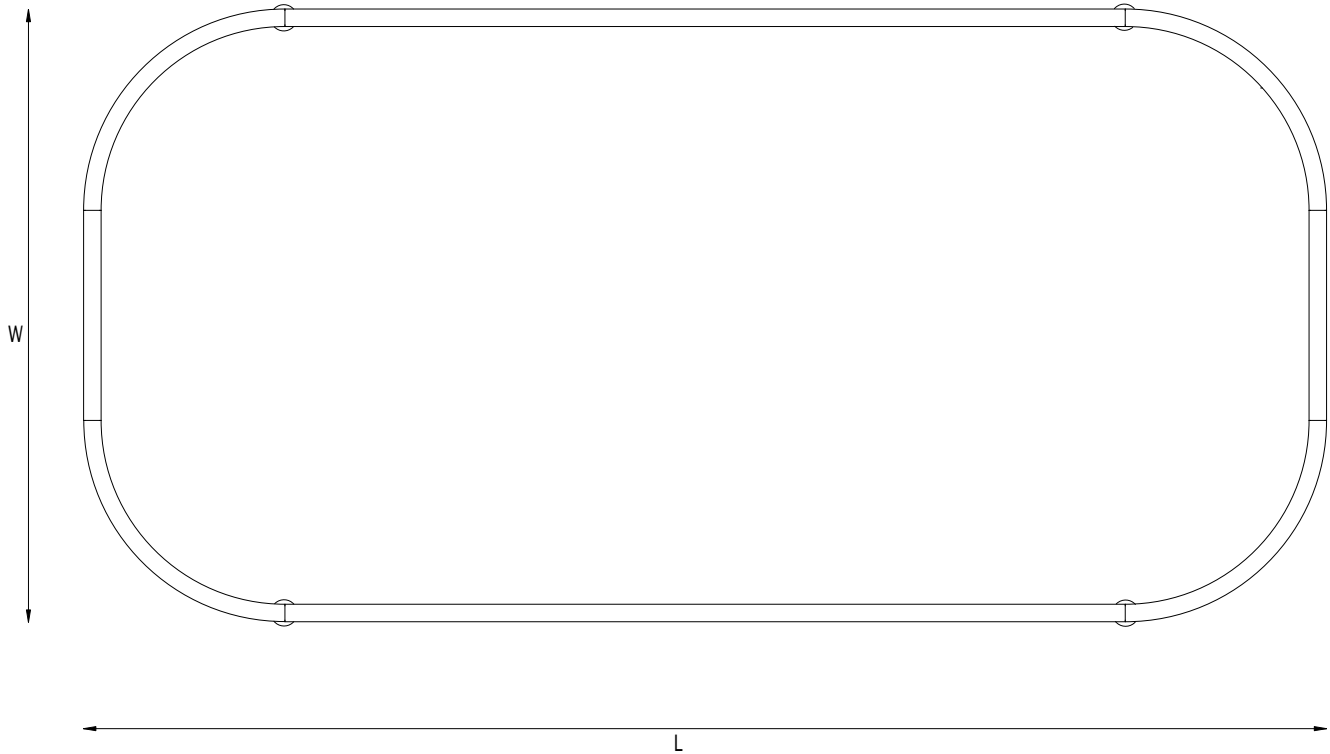
8L3W



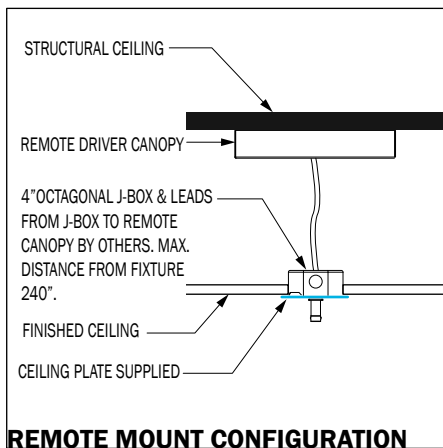
8L4W



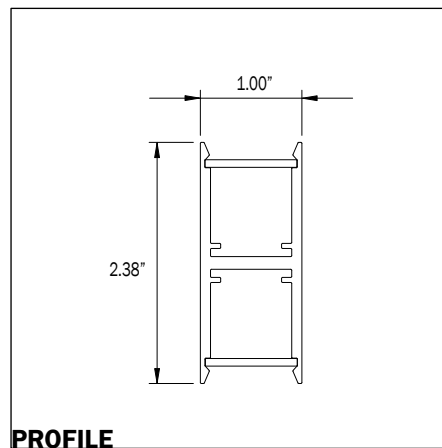
8L5W



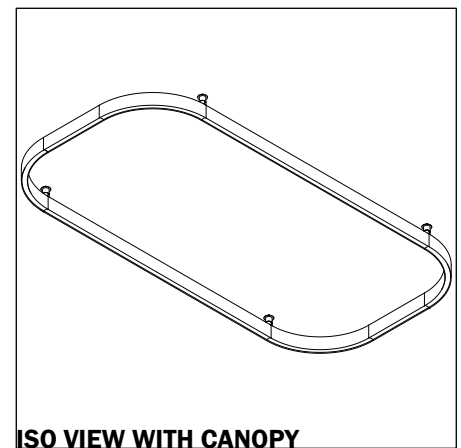
CEILING MOUNT CONFIGURATION



REMOTE MOUNT CONFIGURATION



PROFILE



ISO VIEW WITH CANOPY

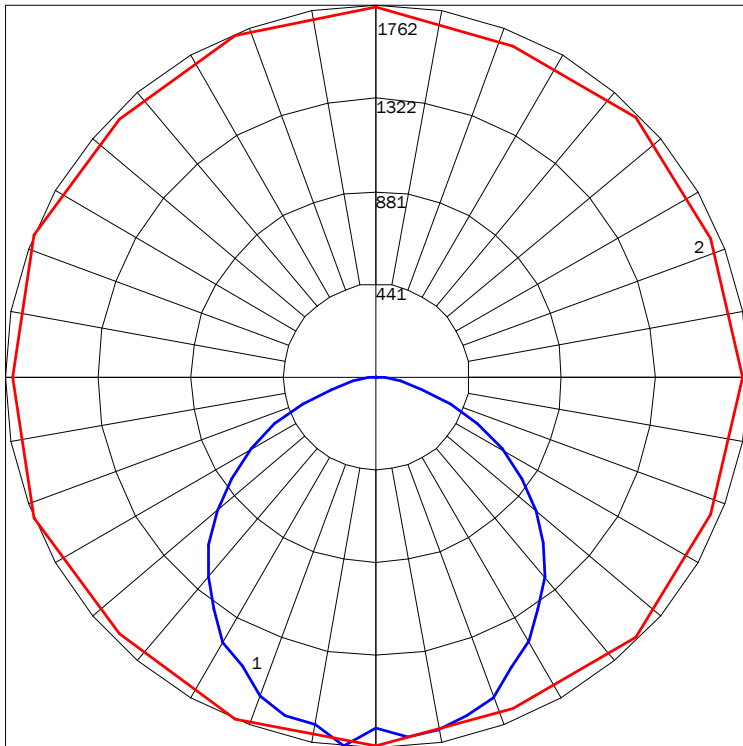
DIRECT

PN (INCH)	LUMENS	WATTAGE	CANOPY DIA	WEIGHT
5L3WD	4483	48	10"	25 LBS
6L3WD	5167	55	10"	29 LBS
7L3WD	5859	63	10"	32 LBS
7L4WD	6547	70	10"	35 LBS
8L3WD	6547	70	10"	38 LBS
8L4WD	7240	77	10"	40 LBS
8L5WD	7930	85	10"	43 LBS

IES INDOOR REPORT

PHOTOMETRIC FILENAME : 941LURSCL DO 5L3WD 35K F05.IES

POLAR GRAPH



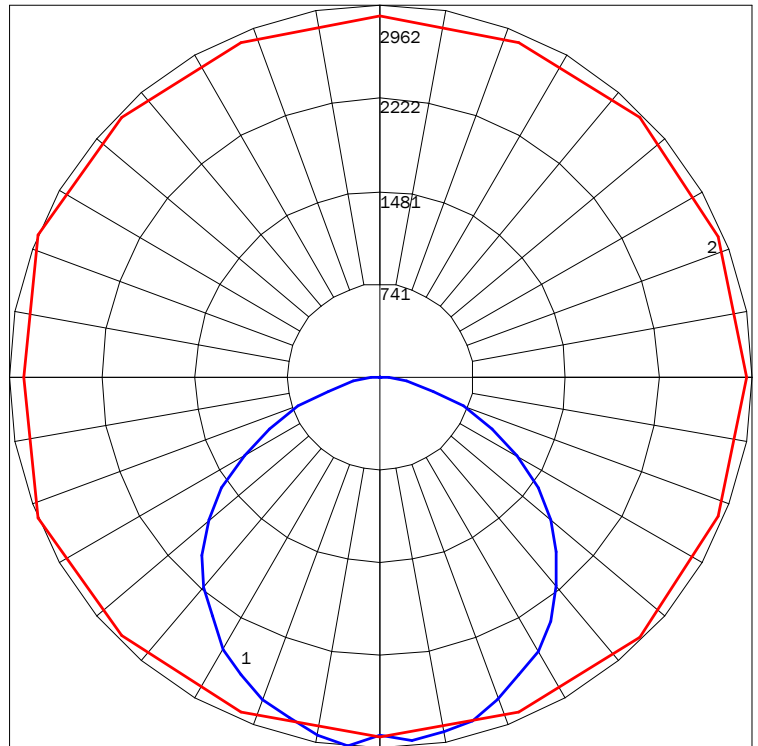
MAXIMUM CANDELA = 1762.2 LOCATED AT HORIZONTAL ANGLE = 157.5, VERTICAL ANGLE = 5
 # 1 - VERTICAL PLANE THROUGH HORIZONTAL ANGLES (157.5 - 337.5) (THROUGH MAX. CD.)
 # 2 - HORIZONTAL CONE THROUGH VERTICAL ANGLE (5) (THROUGH MAX. CD.)

LUMINAIRE LUMENS 4483
TOTAL LUMINAIRE EFFICIENCY 60%
LUMINAIRE EFFECIENCY RATING 94
TOTAL LUMINAIRE WATTS 48

IES INDOOR REPORT

PHOTOMETRIC FILENAME : 941LURSCL 8L5WD 35K F05.IES

POLAR GRAPH



MAXIMUM CANDELA = 3017.67 LOCATED AT HORIZONTAL ANGLE = 0, VERTICAL ANGLE = 10
 # 1 - VERTICAL PLANE THROUGH HORIZONTAL ANGLES (0 - 180) (THROUGH MAX. CD.)
 # 2 - HORIZONTAL CONE THROUGH VERTICAL ANGLE (10) (THROUGH MAX. CD.)

LUMINAIRE LUMENS 7930
TOTAL LUMINAIRE EFFICIENCY 60%
LUMINAIRE EFFECIENCY RATING 94
TOTAL LUMINAIRE WATTS 85

AVAILABLE FINISHES



F05
GLOSS
WHITE



F09
PEWTER



F15
MATTE
BLACK



F16
GLOSS
BLACK



F18
SATIN
ALUMINUM



F19
MIRROR
SILVER



F21
ARCH
BRONZE



F31
SILVER
METALLIC



F33
PYRITE
BRONZE



RAL
CUSTOM
COLOR
(RAL #)

DISPLAYED FINISHES DIFFER BETWEEN SCREENS AS WELL AS PRINTERS AND MAY NOT ACCURATELY DEPICT COLOR.