

LUNA ZEST™ PENDANT

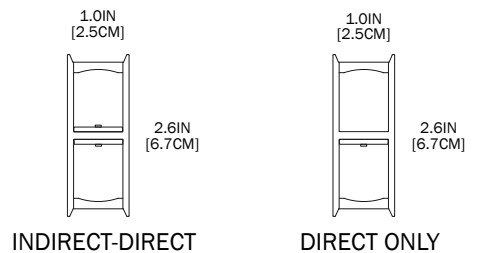
PROJECT: _____
 TYPE: _____
 QUANTITY: _____



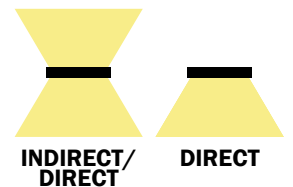
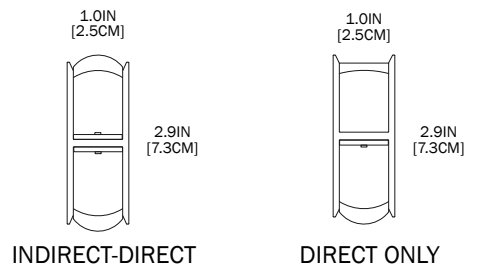
PN: 941LURSP

| | |
|---------------------|---|
| ILLUMINATION | <ul style="list-style-type: none"> • 4,483 - 15,326 LUMENS • DIRECT OR INDIRECT/DIRECT • LED 90CRI |
| APPLICATION | <ul style="list-style-type: none"> • DIRECT OR DIRECT/INDIRECT PENDANT MOUNT • INDOOR RATED |
| DIMENSION | <ul style="list-style-type: none"> • AVAILABLE IN LENGTHS RANGING FROM 60" - 96" AND WIDTHS RANGING FROM 36" - 60" • PROFILE: 1"W X 2.625"H (2.54cm X 6.6675cm) |
| ELECTRICAL | <ul style="list-style-type: none"> • 120 - 277V • 10KV SURGE SUPPRESSION |
| DIFFUSERS | <ul style="list-style-type: none"> • HIGH EFFICIENCY ACRYLIC |
| MOUNTING | <ul style="list-style-type: none"> • 120" (304.8cm) BLACK OR WHITE DROP CORD WITH AIRCRAFT CABLES • 120" (304.8cm) POWER OVER SUSPENSION |
| LED DRIVER | <ul style="list-style-type: none"> • CANOPY OR REMOTE MOUNT |
| CONSTRUCTION | <ul style="list-style-type: none"> • ALUMINUM |
| FINISHES | <ul style="list-style-type: none"> • AVAILABLE IN SEVERAL TMS POWDER COATED FINISHES • CUSTOM RAL FINISHES AVAILABLE |
| DIMMING | <ul style="list-style-type: none"> • 0 - 10V (1%) DIMMING (120-277V) • LINE VOLTAGE/TRIAC/ELV (120V ONLY) • LUTRON HI-LUME (1%) DIMMING (120-277V) |
| WEIGHT | <ul style="list-style-type: none"> • 25 LBS MINIMUM, 43 LBS MAXIMUM |

FLAT DIFFUSER



DOM DIFFUSER



LUNA ZEST™ PENDANT



PROJECT: _____
 TYPE: _____
 QUANTITY: _____

941LURSP

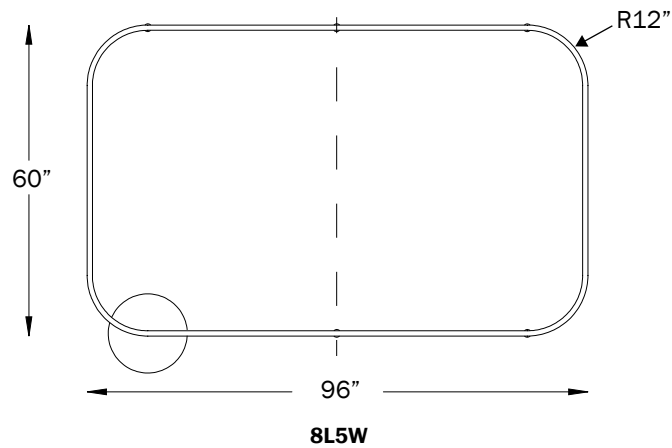
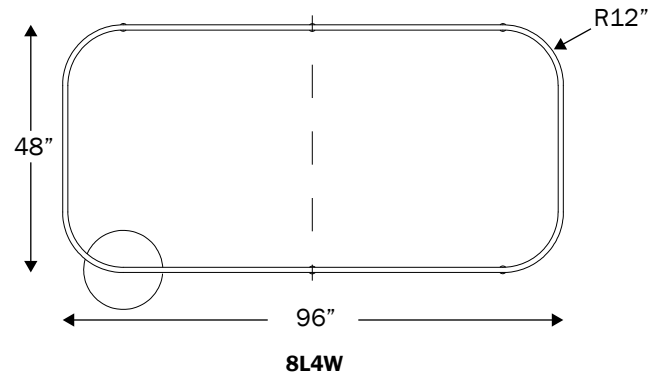
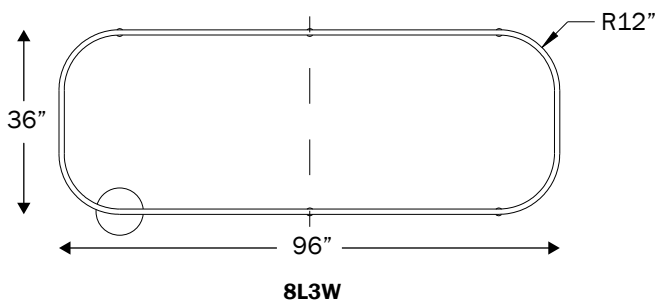
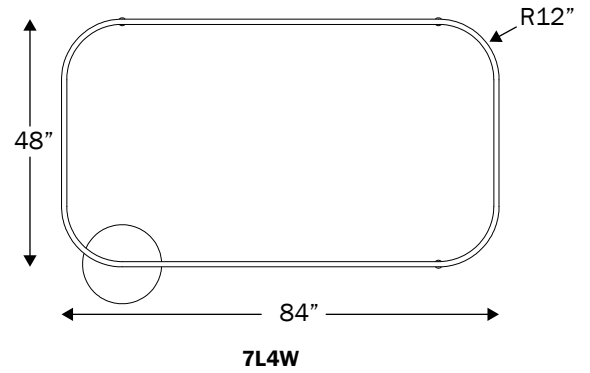
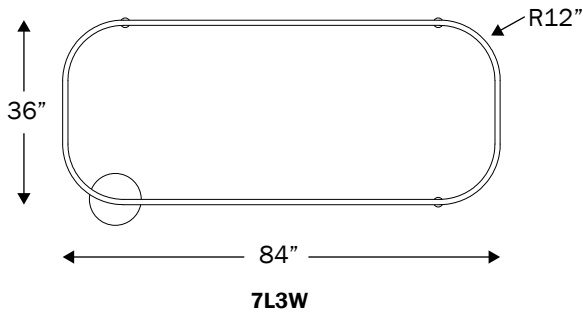
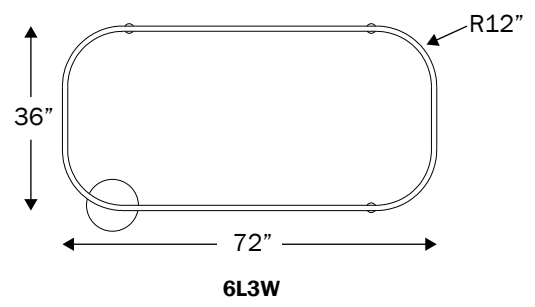
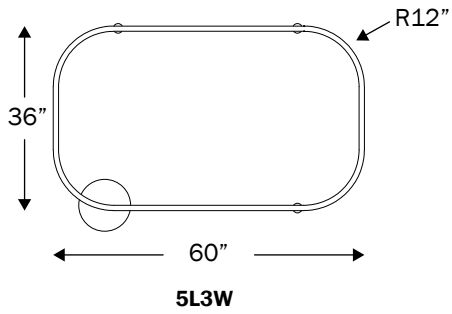
1 2 3 4 5 6 7 8 9

| 1. | DIRECT | | | | | | | | | | |
|------------|---|--------|--|--------|--|-------------|-----------------------|------------------------------|--------|-----------------|----------------|
| PN | 5L3WD | 6L3WD | 7L3WD | 7L4WD | 8L3WD | 8L4WD | 8L5WD | CUS | | | |
| LxW (Inch) | 60x36 | 72x36 | 84x36 | 84x48 | 96x36 | 96x48 | 96x60 | CUSTOM SIZE (SPECIFY LXW) | | | |
| LED (W) | 48 | 55 | 63 | 70 | 70 | 77 | 85 | | | | |
| LUMENS | 4483 | 5167 | 5859 | 6547 | 6547 | 7240 | 7930 | | | | |
| | DIRECT/INDIRECT | | | | | | | | | | |
| PN | 5L3WID | 6L3WID | 7L3WID | 7L4WID | 8L3WID | 8L4WID | 8L5WID | CUS | | | |
| LxW (Inch) | 60x36 | 72x36 | 84x36 | 84x48 | 96x36 | 96x48 | 96x60 | CUSTOM SIZE (SPECIFY LXW) | | | |
| LED (W) | 96 | 111 | 125 | 140 | 140 | 155 | 170 | | | | |
| LUMENS | 8480 | 9862 | 11240 | 12581 | 12581 | 14000 | 15326 | | | | |
| 2. | H | | M | | L | | C: _____ ¹ | | | | |
| OUTPUT | 100% LUMENS | | 75% LUMENS | | 50% LUMENS | | [CUSTOM]% LUMENS | | | | |
| 3. | 30K | | 35K | | 40K | | | | | | |
| CCT | 3000 | | 3500 | | 4000 | | | | | | |
| 4. | S | | | | D | | | | | | |
| CIRCUITS | SINGLE | | | | DUAL | | | | | | |
| 5. | MMCD | | | | MMRM | | | | | | |
| MOUNTING | MULTIPLE CABLES AND CANOPY DRIVER | | | | MULTIPLE CABLES AND REMOTE DRIVER | | | | | | |
| 6. | BC | | WC | | POS | | | | | | |
| CORD | BLACK DROP CORD WITH AIRCRAFT CABLES | | WHITE DROP CORD WITH AIRCRAFT CABLES | | POWER OVER SUSPENSION (SILVER ONLY) (FOR APPLICABLE SIZES SEE CHART ON PAGE THREE) (NOT APPLICABLE FOR MMCD COMBINATION) | | | | | | |
| 7. | FLAT | | | | DOM | | | | | | |
| DIFFUSER | FLAT DIFFUSER | | | | DOME DIFFUSER | | | | | | |
| 8. | ADDITIONAL AND PREMIUM FINISHES AVAILABLE. SEE FINISHES CHART | | | | F04 | F05 | F15 | F16 | F09 | F31 | F18 |
| FINISH | | | | | MATTE WHITE | GLOSS WHITE | MATTE BLACK | GLOSS BLACK | PEWTER | SILVER METALLIC | SATIN ALUMINUM |
| 9. | DIML | | DIME | | DIMV | | | | | | |
| DIMMING | 0-10V (1%) (120-277V) | | LUTRON HI-LUME (1%) (120-277V) (FOR APPLICABLE SIZES SEE CHART ON PAGE THREE) | | LINE VOLTAGE/TRIAC/ELV (120V ONLY) | | | | | | |

1. CUSTOM PERCENTAGE I.E. 60%. CONSULT FACTORY.

NOTE: SOME OPTIONS MAY NOT BE COMPATIBLE WITH OTHERS. ALL SPECIFICATIONS ARE SUBJECT TO CHANGE WITHOUT NOTICE. CONTACT TMS LIGHTING FOR UPDATED SPECIFICATIONS.

LUNA ZEST™ PENDANT



SPECIFICATIONS

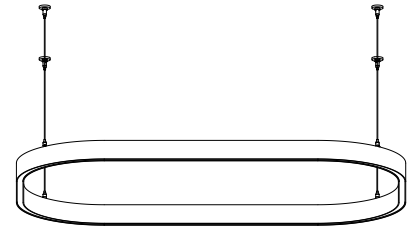
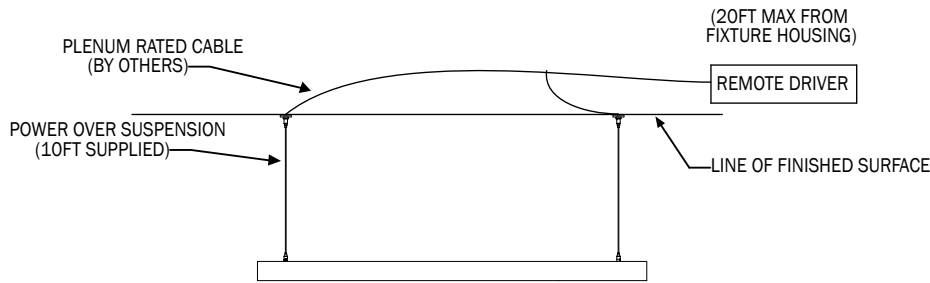
MMCD, MMRM, AND POS SIZING VARIATIONS¹

| SIZE | SIZE | POS | DIME | MOUNTING POINTS | CANOPY SIZE | NUMBER OF CANOPY | WEIGHT (POUNDS - LBS) | SECTIONS |
|------|-----------|-----|------|-----------------|-------------|------------------|-----------------------|----------|
| 5L3W | 60" x 36" | YES | YES | 4 | 10" | 1(D)/ 1(ID) | 25 | 1 |
| 6L3W | 72" x 36" | YES | YES | 4 | 10" | 1(D)/ 1(ID) | 29 | 1 |
| 7L3W | 84" x 36" | YES | YES | 4 | 12" | 1(D)/ 1(ID) | 32 | 1 |
| 7L4W | 84" x 48" | NO | NO | 4 | 12" | 1(D)/ 1(ID) | 35 | 1 |
| 8L3W | 96" x 36" | NO | NO | 6 | 15" | 1(D)/ 1(ID) | 38 | 2 |
| 8L4W | 96" x 48" | NO | NO | 6 | 15" | 1(D)/ 1(ID) | 40 | 2 |
| 8L5W | 96" x 60" | NO | NO | 6 | 15" | 1(D)/ 1(ID) | 43 | 2 |

1. THE VISUAL REPRESENTATIONS OF THESE OPTIONS AND THEIR SPECIFICATIONS ARE LISTED ON THE FOLLOWING PAGE FOUR.

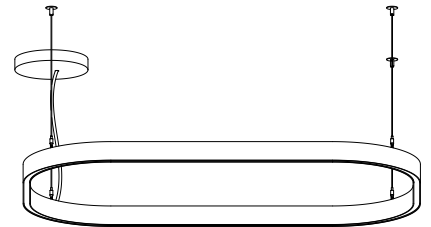
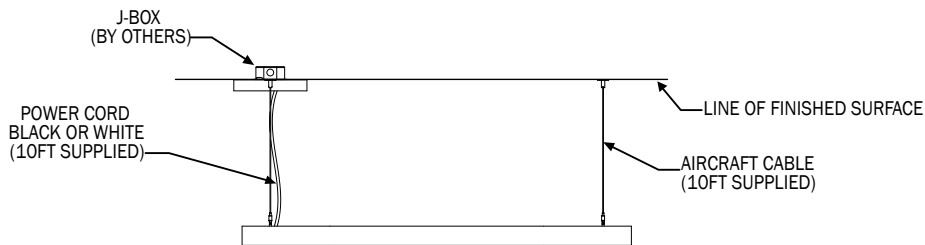
POS (POWER OVER SUSPENSION)

MMRM COMBINATION (MUTIPLE CABLES, REMOTE MOUNT DRIVER)

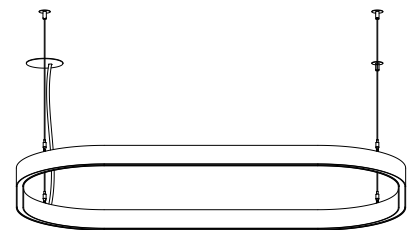
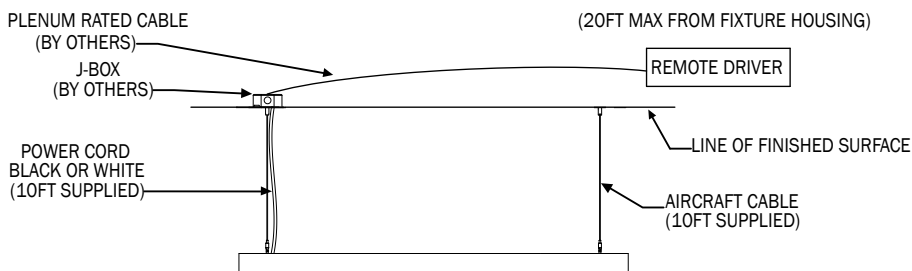


DROP CORD

MMCD COMBINATION (MUTIPLE CABLES, CANOPY MOUNT DRIVER)



MMRM COMBINATION (MUTIPLE CABLES, REMOTE MOUNT DRIVER)



LUNA ZEST™ PENDANT

DIRECT

| PN (INCH) | LUMENS | WATTAGE |
|-----------|--------|---------|
| 5L3WD | 4483 | 48 |
| 6L3WD | 5167 | 55 |
| 7L3WD | 5859 | 63 |
| 7L4WD | 6547 | 70 |
| 8L3WD | 6547 | 70 |
| 8L4WD | 7240 | 77 |
| 8L5WD | 7930 | 85 |

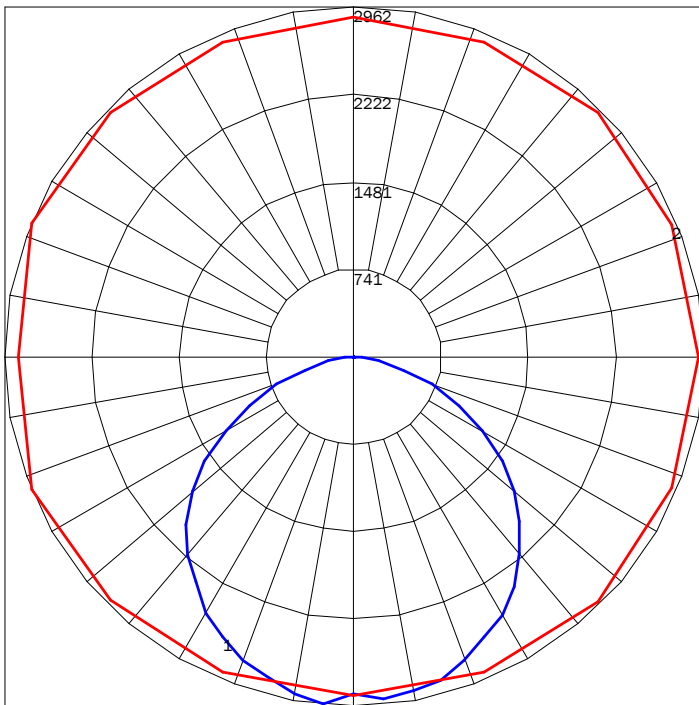
DIRECT/INDIRECT

| PN (INCH) | LUMENS | WATTAGE |
|-----------|--------|---------|
| 5L3WID | 8480 | 96 |
| 6L3WID | 9862 | 111 |
| 7L3WID | 11240 | 125 |
| 7L4WID | 12581 | 140 |
| 8L3WID | 12581 | 140 |
| 8L4WID | 14000 | 155 |
| 8L5WID | 15326 | 170 |

IES INDOOR REPORT

PHOTOMETRIC FILENAME : 941LURSP 8L5WD 35K F05.IES

POLAR GRAPH



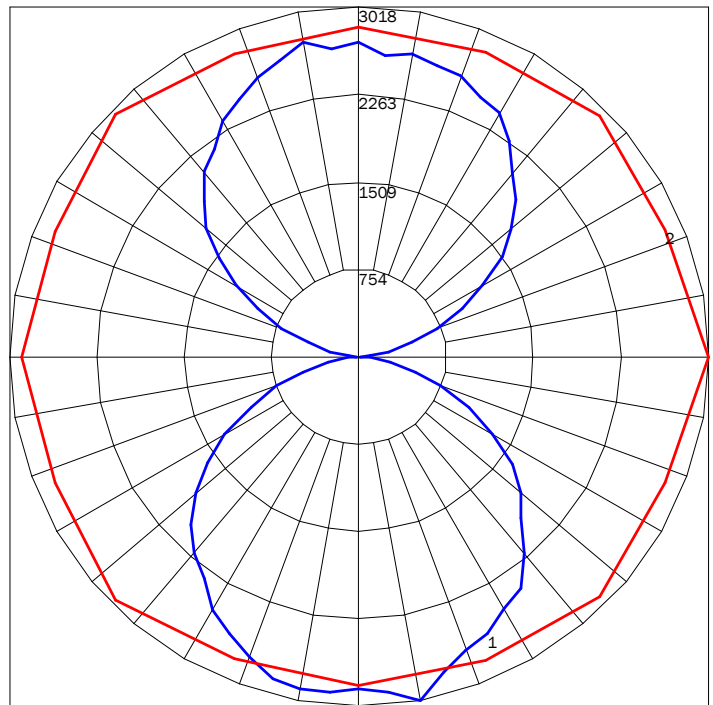
MAXIMUM CANDELA = 2962.16 LOCATED AT HORIZONTAL ANGLE = 157.5, VERTICAL ANGLE = 5
 # 1 - VERTICAL PLANE THROUGH HORIZONTAL ANGLES (157.5 - 337.5) (THROUGH MAX. CD.)
 # 2 - HORIZONTAL CONE THROUGH VERTICAL ANGLE (5) (THROUGH MAX. CD.)

LUMINAIRE LUMENS 7930
TOTAL LUMINAIRE EFFICIENCY 60%
LUMINAIRE EFFICIENCY RATING 94
TOTAL LUMINAIRE WATTS 85

IES INDOOR REPORT

PHOTOMETRIC FILENAME : 941LURSP 8L5WID 35K F05.IES

POLAR GRAPH



MAXIMUM CANDELA = 3017.67 LOCATED AT HORIZONTAL ANGLE = 0, VERTICAL ANGLE = 10
 # 1 - VERTICAL PLANE THROUGH HORIZONTAL ANGLES (0 - 180) (THROUGH MAX. CD.)
 # 2 - HORIZONTAL CONE THROUGH VERTICAL ANGLE (10) (THROUGH MAX. CD.)

LUMINAIRE LUMENS 15326
TOTAL LUMINAIRE EFFICIENCY 58%
LUMINAIRE EFFICIENCY RATING 90
TOTAL LUMINAIRE WATTS 170

LUNA ZEST™ PENDANT

FINISHES



PREMIUM FINISHES



DISPLAYED FINISHES DIFFER BETWEEN SCREENS AS WELL AS PRINTERS AND MAY NOT ACCURATELY DEPICT COLOR.