

LUNA TRIO™ PENDANT

PROJECT: _____

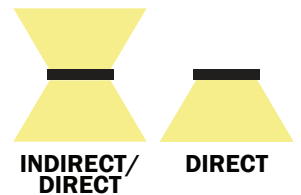
TYPE: _____

QUANTITY: _____



PN: 941LUTP

APPLICATION	<ul style="list-style-type: none"> • PENDANT MOUNT • INDOOR RATED
DIMENSION	<ul style="list-style-type: none"> • 25" TO 84" (64CM TO 213CM) • PROFILE: 1"W X 2.38"H (2.5CM X 6CM)
ILLUMINATION	<ul style="list-style-type: none"> • DIRECT OR INDIRECT/DIRECT • LED 90CRI • 2,695 - 18,850 LUMENS
DRIVER	<ul style="list-style-type: none"> • CANOPY OR REMOTE MOUNT • 120V, 277V, AND UNI (120 - 277V) • 10KA SURGE SUPPRESSION STANDARD
DIFFUSERS	<ul style="list-style-type: none"> • HIGH EFFICIENCY ACRYLIC
MOUNTING	<ul style="list-style-type: none"> • 96" (244CM) BLACK OR WHITE DROP CORD W/ AIRCRAFT CABLES
CONSTRUCTION	<ul style="list-style-type: none"> • ALUMINUM
FINISHES	<ul style="list-style-type: none"> • AVAILABLE IN SEVERAL TMS POWDER COATED FINISHES • CUSTOM RAL FINISHES AVAILABLE
DIMMING	<ul style="list-style-type: none"> • 0 - 10V STANDARD DIMMING
WEIGHT	<ul style="list-style-type: none"> • 47 LBS MAXIMUM



LUNA TRIO™ PENDANT



PROJECT: _____

TYPE: _____

QUANTITY: _____

941LUTP

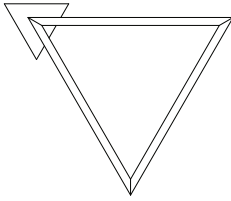
1 2 3 4 5 6 7 8 9 10

1.	DIRECT									
LENGTH	2D	3D	4D	5D	6D	7D				
	25" (63CM)	37" (94CM)	48" (122CM)	60" (152CM)	72" (183CM)	84" (213CM)				
LED (W)	28W	40W	54W	71W	83W	101W				
LUMENS	2695	3845	5200	6930	8085	9425				
	INDIRECT/DIRECT									
LENGTH	2ID	3ID	4ID	5ID	6ID	7ID				
	25" (63CM)	37" (94CM)	48" (122CM)	60" (152CM)	72" (183CM)	84" (213CM)				
LED (W)	58W	75W	119W	146W	170W	196W				
LUMENS	3793	7690	10400	13860	16170	18850				
2.	H	M	L	C: _____ ¹						
OUTPUT	100% LUMENS	75% LUMENS	50% LUMENS	[CUSTOM]% LUMENS						
3.	30K		35K		40K					
LED CCT	3000		3500		4000					
4.	120		277		UNI					
VOLTAGE	120V		277V		120 - 277V					
5.	S			D						
CIRCUITS	SINGLE			DUAL						
6.	MM			PS						
MOUNTING	MULTIPLE AIRCRAFT CABLES			SINGLE PLATED W/ AIRCRAFT CABLES						
7.	CD			RM						
DRIVER	CANOPY MOUNT			REMOTE MOUNT						
8.	BC			WC						
CORD	BLACK DROP CORD			WHITE DROP CORD						
9.	F04	F05	F09	F15	F16	F18	F21	F31	F33	RAL
FINISH	MATTE WHITE	GLOSS WHITE	PEWTER	MATTE BLACK	GLOSS BLACK	SATIN ALUMINUM	ARCH BRONZE	SILVER METALLIC	PYRITE BRONZE	CUSTOM (SPECIFY)
10.	DIML									
DIMMING	LED DIMMING (0 - 10V, CURRENT - SINKING)									

1. CUSTOM PERCENTAGE I.E. 60%. CONSULT FACTORY

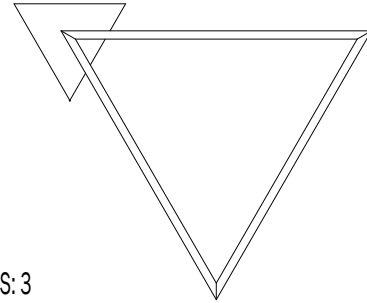
NOTE: SOME OPTIONS MAY NOT BE COMPATIBLE WITH OTHERS. ALL SPECIFICATIONS ARE SUBJECT TO CHANGE WITHOUT NOTICE. CONTACT TMS LIGHTING FOR UPDATED SPECIFICATIONS.

LUNA TRIO™ PENDANT



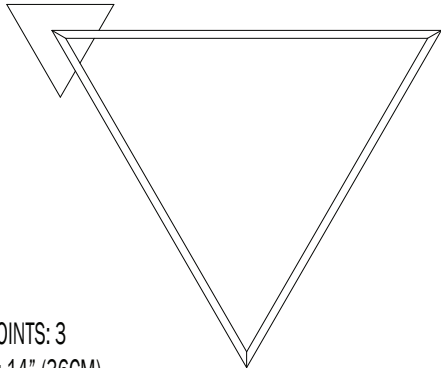
- MOUNTING POINTS: 3
- CANOPY SIZE: 10" (25CM)
- WEIGHT D/ID: 11 LBS / 15LBS

2D



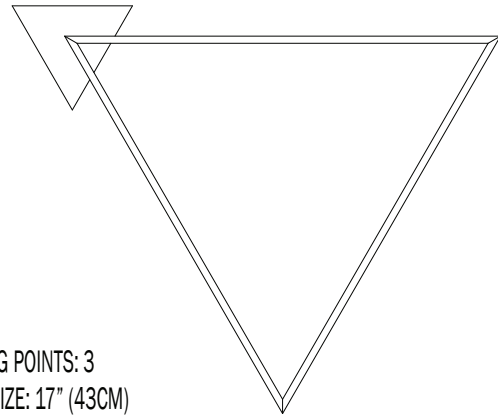
- MOUNTING POINTS: 3
- CANOPY SIZE: 14" (36CM)
- WEIGHT D/ID: 16 LBS / 23 LBS

3D



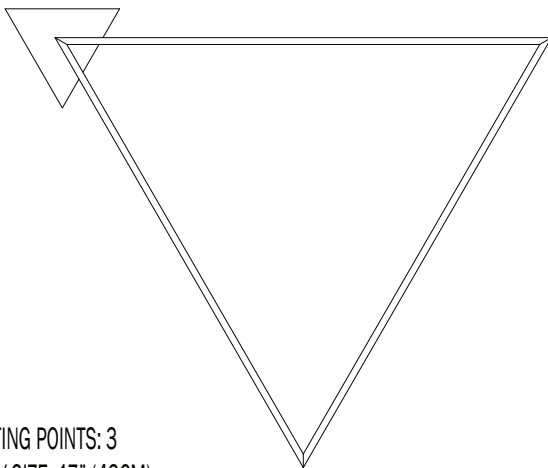
- MOUNTING POINTS: 3
- CANOPY SIZE: 14" (36CM)
- WEIGHT D/ID: 20 LBS / 27 LBS

4D



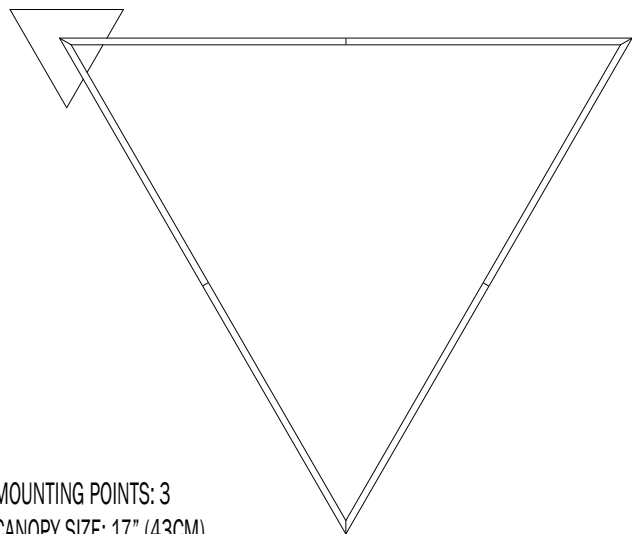
- MOUNTING POINTS: 3
- CANOPY SIZE: 17" (43CM)
- WEIGHT D/ID: 25 LBS / 36 LBS

5D



- MOUNTING POINTS: 3
- CANOPY SIZE: 17" (43CM)
- WEIGHT D/ID: 30 LBS / 41 LBS

6D



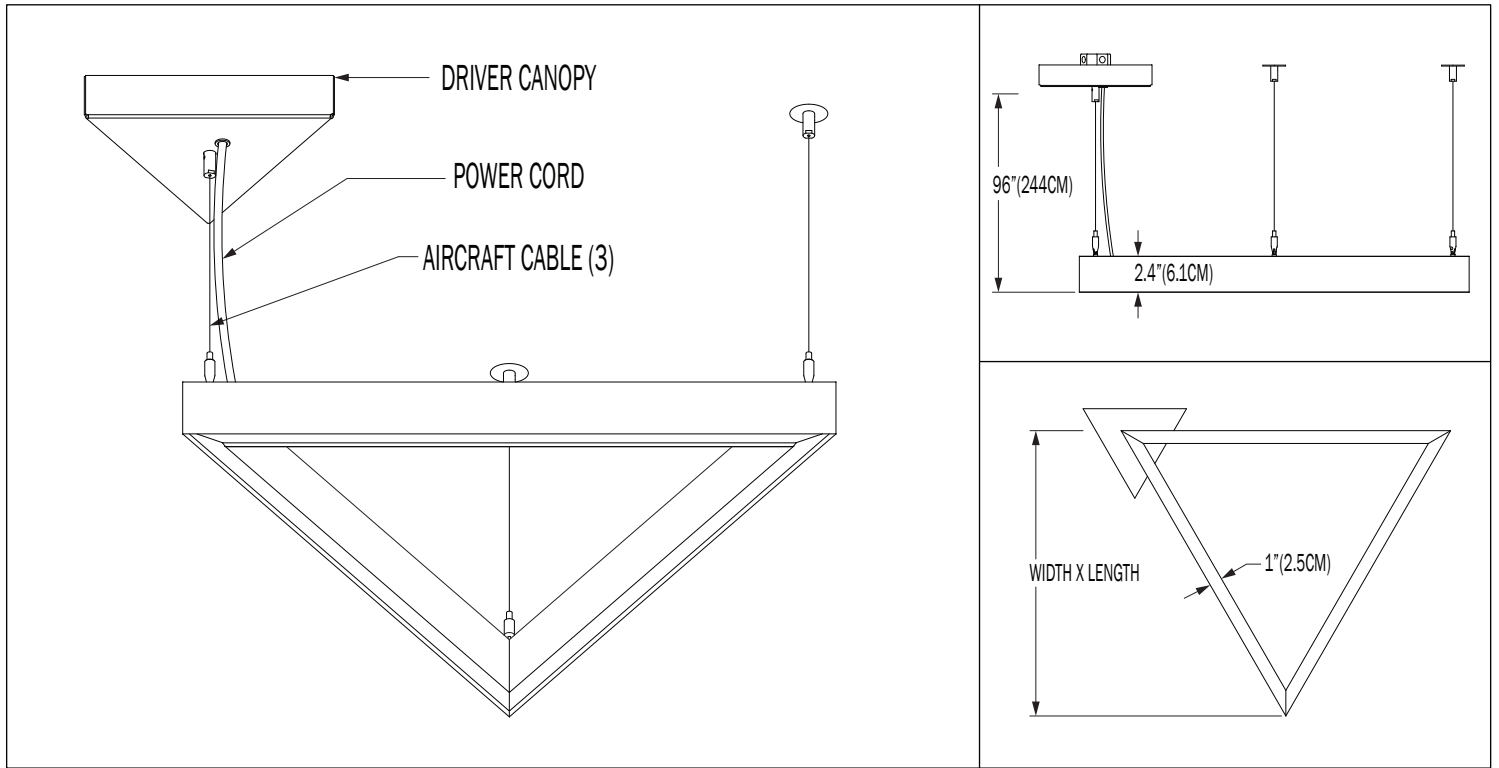
- MOUNTING POINTS: 3
- CANOPY SIZE: 17" (43CM)
- WEIGHT D/ID: 35 LBS / 46 LBS

7D

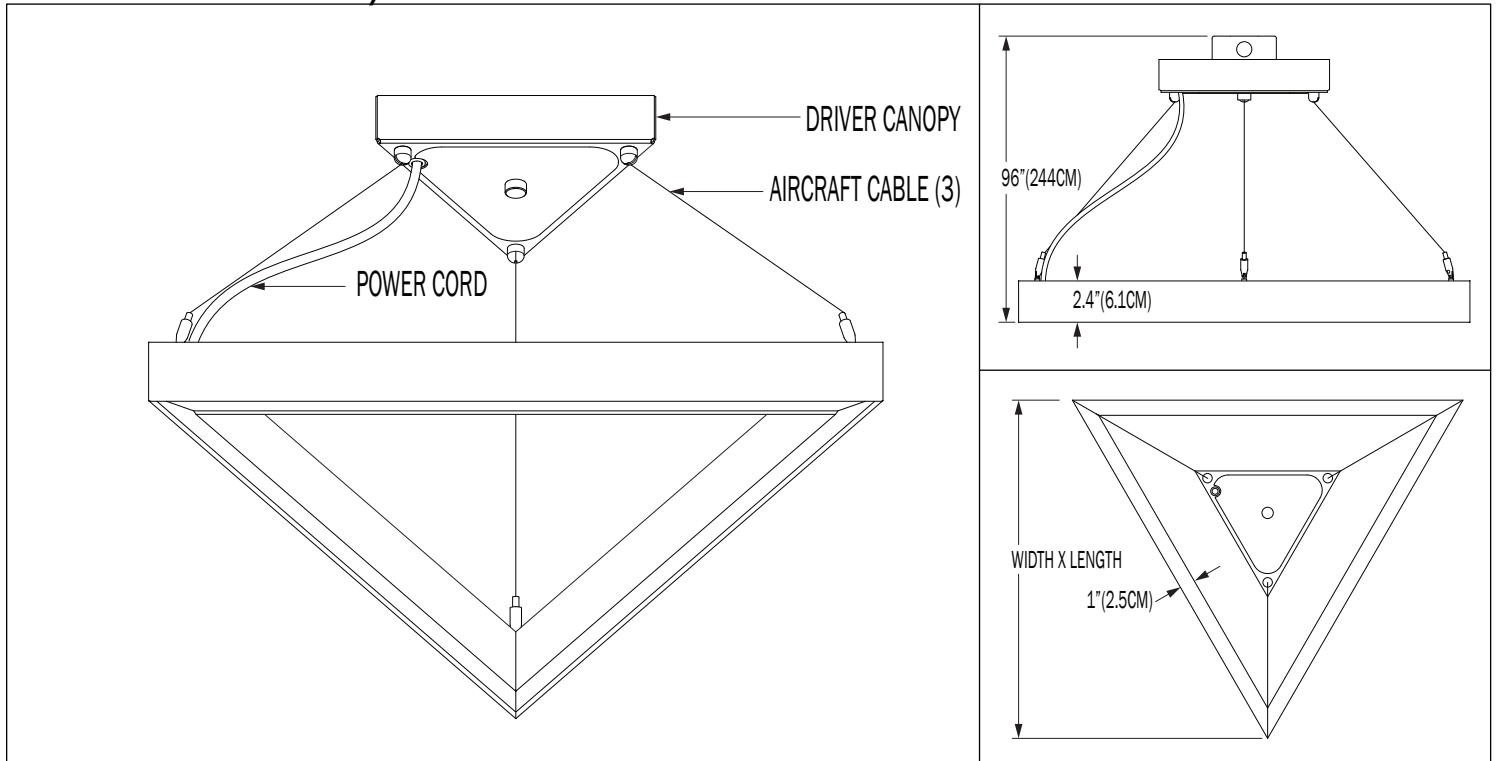
LUNA TRIO™ PENDANT

941LUTP

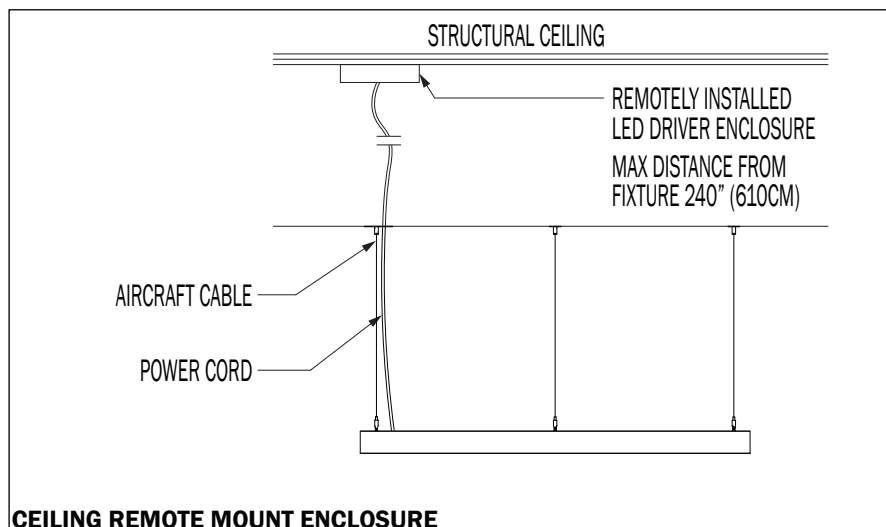
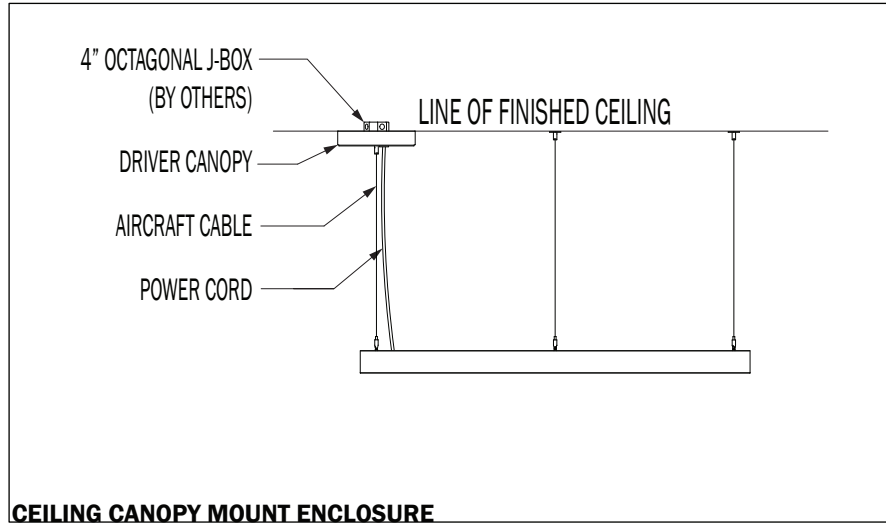
MM - MULTIPLE AIRCRAFT CABLE



PS - SINGLE PLATED W/ AIRCRAFT CABLE



LUNA TRIO™ PENDANT



DIRECT

PN	SIZE (LXW)	LUMENS	WATTAGE
941LUTP	2D	2695	28
	3D	3845	40
	4D	5200	54
	5D	6930	71
	6D	8085	83
	7D	9425	196

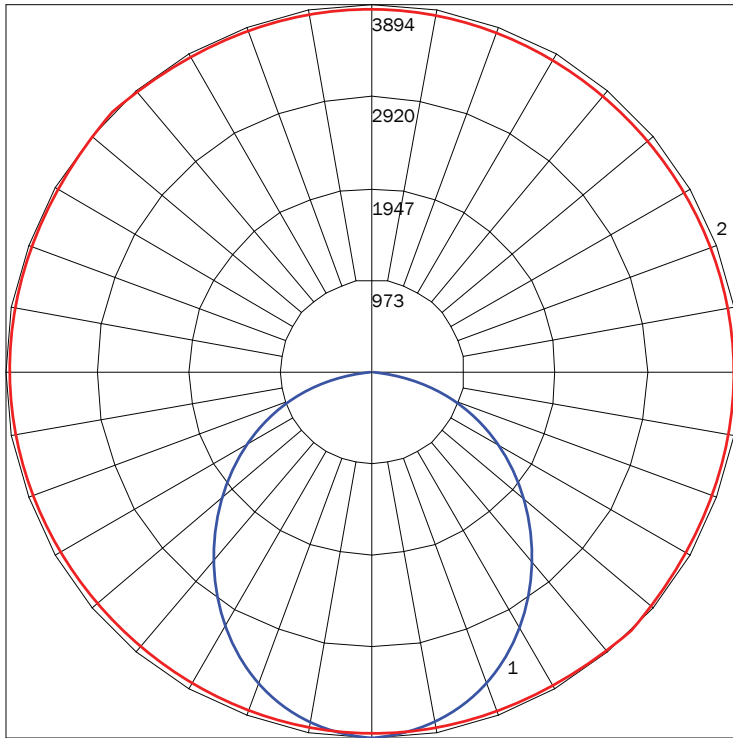
INDIRECT / DIRECT

PN	SIZE (LXW)	LUMENS	WATTAGE
941LUTP	2ID	3793	58
	3ID	7690	75
	4ID	10400	119
	5ID	13860	146
	6ID	16170	170
	7ID	18850	196

IES INDOOR REPORT

PHOTOMETRIC FILENAME : 941LUTP 7D 35K F05.IES

POLAR GRAPH



MAXIMUM CANDELA = 3893.9 LOCATED AT HORIZONTAL ANGLE = 90, VERTICAL ANGLE = 5
 # 1 - VERTICAL PLANE THROUGH HORIZONTAL ANGLES (90 - 270) (THROUGH MAX. CD.)
 # 2 - HORIZONTAL CONE THROUGH VERTICAL ANGLE (5) (THROUGH MAX. CD.)

LUMINAIRE LUMENS	9425
TOTAL LUMINAIRE EFFICIENCY	72%
LUMINAIRE EFFICACY RATING	92
TOTAL LUMINAIRE WATTS	34

LUNA TRIO™ PENDANT

AVAILABLE FINISHES



F04
MATTE
WHITE



F05
GLOSS
WHITE



F09
PEWTER



F15
MATTE
BLACK



F16
GLOSS
BLACK



F18
SATIN
ALUMINUM



F21
ARCH
BRONZE



F31
SILVER
METALLIC



F33
PYRITE
BRONZE



RAL
CUSTOM
COLOR
(RAL #)

NOTE: DISPLAYED FINISHES DIFFER BETWEEN SCREENS AS WELL AS PRINTERS AND MAY NOT ACCURATELY DEPICT COLOR.