

LUNA QUDO ACOUSTIC™ PENDANT

PROJECT: _____

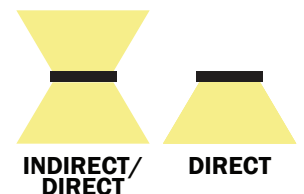
TYPE: _____

QUANTITY: _____



PN: 971LUQP

APPLICATION	<ul style="list-style-type: none"> • PENDANT MOUNT • INDOOR
DIMENSION	<ul style="list-style-type: none"> • 25", 37", AND 48" (64CM, 94CM, AND 122CM) • PROFILE: 1" W X 2.38" H (2CM X 6CM)
ILLUMINATION	<ul style="list-style-type: none"> • DIRECT OR INDIRECT/DIRECT • LED 90CRI • 2,843 - 11,243 LUMENS
DRIVER	<ul style="list-style-type: none"> • 120V, 277V, AND 347V • 10KA SURGE SUPPRESSION STANDARD
DIFFUSERS	<ul style="list-style-type: none"> • HIGH EFFICIENCY ACRYLIC
MOUNTING	<ul style="list-style-type: none"> • 96" (244CM) BLACK OR WHITE DROP CORD W/ AIRCRAFT CABLE
CONSTRUCTION	<ul style="list-style-type: none"> • ALUMINUM
FINISHES	<ul style="list-style-type: none"> • AVAILABLE IN SEVERAL TMS POWDER COATED FINISHES • CUSTOM RAL FINISHES AVAILABLE
DIMMING	<ul style="list-style-type: none"> • 0 - 10V STANDARD DIMMING • LUTRON HI - LUME (1%)
WEIGHT	<ul style="list-style-type: none"> • 32 LBS MAXIMUM



LUNA QUDO ACOUSTIC™ PENDANT



PROJECT: _____

TYPE: _____

QUANTITY: _____

971LURSP

1 2 3 4 5 6 7 8 9 10

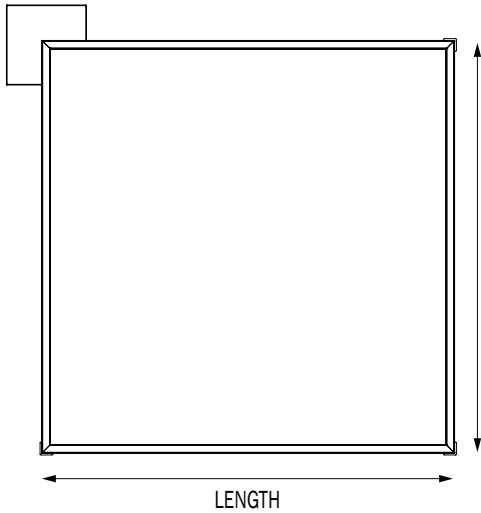
1. DIRECT											
LENGTH (L X W)	2D			3D			4D				
	25			37			48				
LED (W)	32W			48W			65W				
LUMENS	2843			4263			5683				
INDIRECT/DIRECT											
LENGTH (L X W)	2ID			3ID			4ID				
	25			37			48				
LED (W)	64W			96W			132W				
LUMENS	5478			8296			11243				
2.		H			M			L		C: ¹	
OUTPUT	100% LUMENS			75% LUMENS			50% LUMENS		[CUSTOM]% LUMENS		
3.		CW	MA	CA	RH	SG	HG	SL	CH		
ACOUSTIC COLOR	COCONUT WHITE		MARBLE	CAPPUCCINO	RHINO GREY	STEEL GREY	HEATHER GREY	SLATE	CHARCOAL		
	TA		RR	MT	GG	GA	LB	DO	CG		
	TANGERINE		RUBY RED	MANGO TWIST	GOLF GREEN	GREEN APPLE	LINEN BLUE	DEEP OCEAN	CYBER GRAPE		
4.		30K			35K			40K			
LED CCT	3000K			3500K			4000K				
5.		120			UNI			347			
VOLTAGE	120V			120 - 277V			347V				
6.		S					D				
CIRCUIT	SINGLE					DUAL					
7.		MM					PS				
MOUNTING	MULTIPLE AIRCRAFT CABLES					SINGLE PLATE W/ AIRCRAFT CABLES					
8.		BC					WC				
CORD	BLACK CORD					WHITE DROP CORD					
9.		F04	F05	F09	F15	F16	F18	F21	F31	F33	RAL
FINISH	MATTE WHITE	GLOSS WHITE	PEWTER	MATTE BLACK	GLOSS BLACK	SATIN ALUMINUM	ARCH BRONZE	SILVER METALLIC	PYRITE BRONZE	CUSTOM (SPECIFY)	
10.		DIML					DIME				
DIMMING	LED DIMMING (0 - 10V, CURRENT - SINKING)					LUTRON HI - LUME 1%					

1. CUSTOM PERCENTAGE I.E. 60%. CONSULT FACTORY.

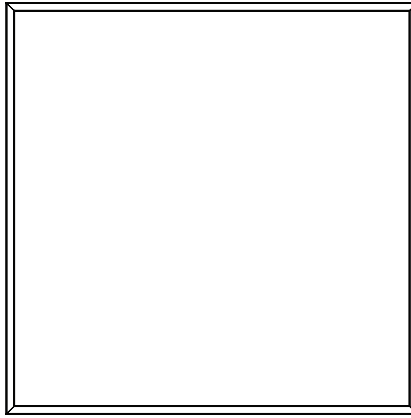
NOTE: SOME OPTIONS MAY NOT BE COMPATIBLE WITH OTHERS. ALL SPECIFICATIONS ARE SUBJECT TO CHANGE WITHOUT NOTICE. CONTACT TMS LIGHTING FOR UPDATED SPECIFICATIONS.

LUNA QUDO ACOUSTIC™ PENDANT

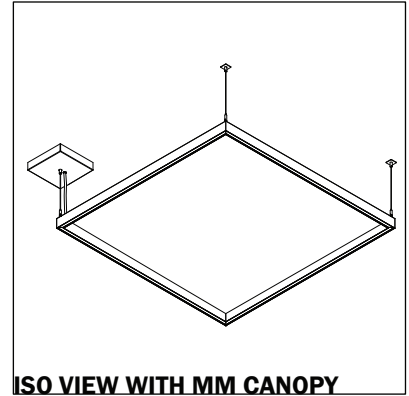
DIMENSIONAL DIAGRAMS



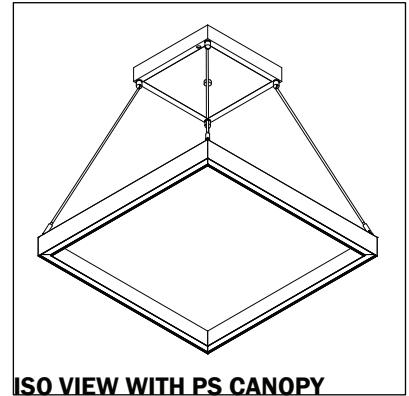
BOTTOM VIEW WITH MM CANOPY



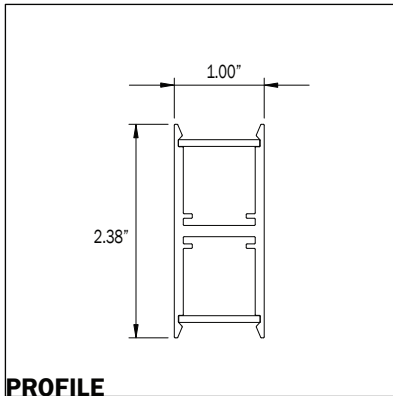
BOTTOM VIEW WITH PS CANOPY



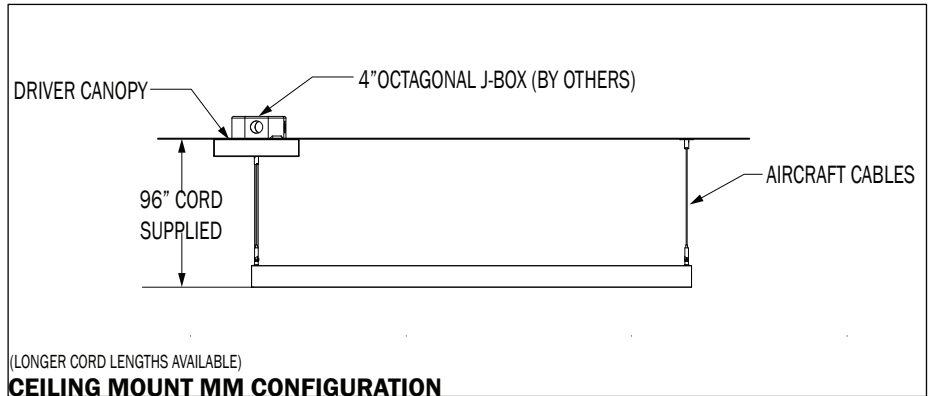
ISO VIEW WITH MM CANOPY



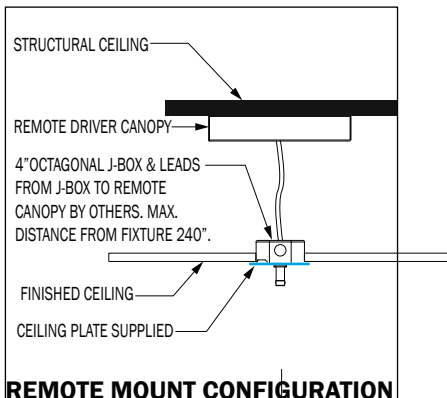
ISO VIEW WITH PS CANOPY



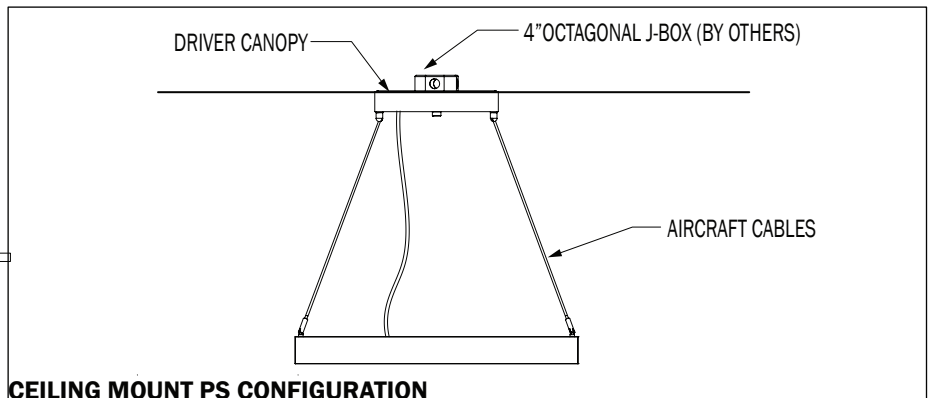
PROFILE



(LONGER CORD LENGTHS AVAILABLE)
CEILING MOUNT MM CONFIGURATION



REMOTE MOUNT CONFIGURATION



CEILING MOUNT PS CONFIGURATION

LUNA QUDO ACOUSTIC™ PENDANT

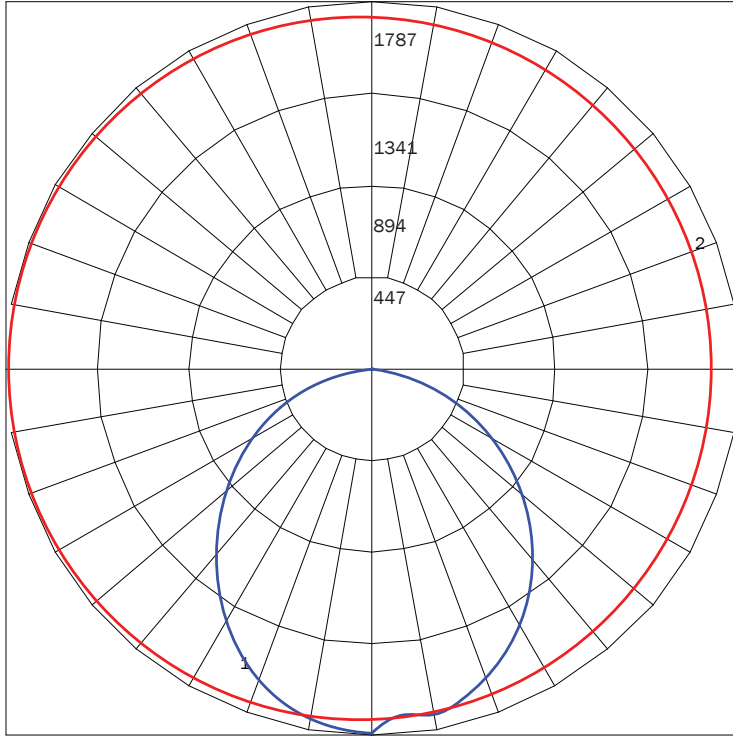
DIRECT

PN	SIZE (DIA)	LUMENS	WATTAGE	WEIGHT
971LUQP	24D	2843	32	17 LBS
	36D	4263	48	21 LBS
	48D	5683	65	25 LBS

IES INDOOR REPORT

PHOTOMETRIC FILENAME : 941LUQP 24 D MA 35K F16.IES

POLAR GRAPH



MAXIMUM CANDELA = 1172.49 LOCATED AT HORIZONTAL ANGLE = 0, VERTICAL ANGLE = 5
 # 1 - VERTICAL PLANE THROUGH HORIZONTAL ANGLES (0 - 180) (THROUGH MAX. CD)
 # 2 - HORIZONTAL CONE THROUGH VERTICAL ANGLE (0) (THROUGH MAX. CD)

LUMINAIRE LUMENS 3101
TOTAL LUMINAIRE EFFICIENCY 72%
LUMINAIRE EFFICACY RATING 92
TOTAL LUMINAIRE WATTS 34

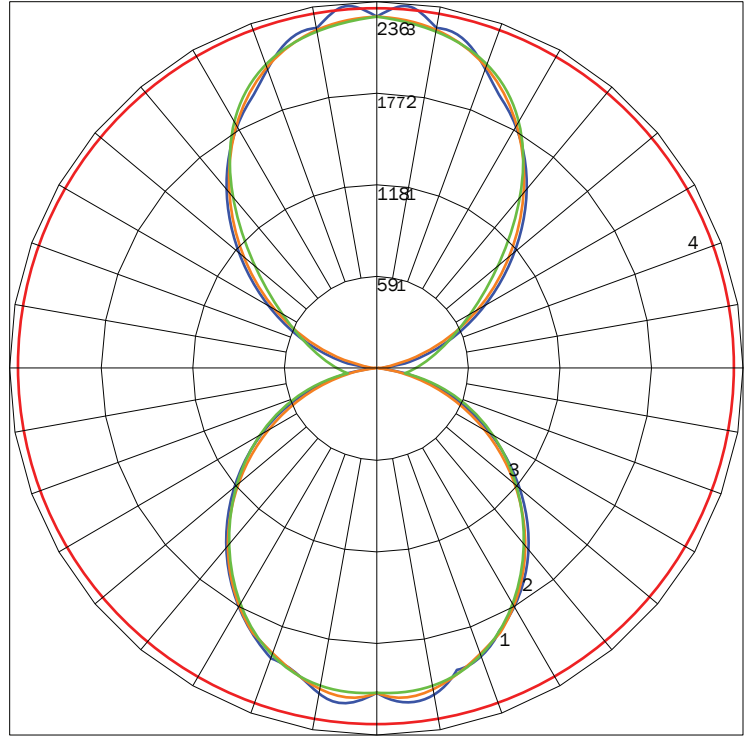
INDIRECT / DIRECT

PN	SIZE (DIA)	LUMENS	WATTAGE	WEIGHT
971LUQP	24D	5478	64	20 LBS
	36D	8296	96	24 LBS
	48D	11243	132	28 LBS

IES INDOOR REPORT

PHOTOMETRIC FILENAME : 941LUQP 24 ID MA 35K F16.IES

POLAR GRAPH



MAXIMUM CANDELA = 2362.96 LOCATED AT HORIZONTAL ANGLE = 0, VERTICAL ANGLE = 175
 # 1 - VERTICAL PLANE THROUGH HORIZONTAL ANGLES (0 - 180) (THROUGH MAX. CD)
 # 2 - VERTICAL PLANE THROUGH HORIZONTAL ANGLES (45 - 225)
 # 3 - VERTICAL PLANE THROUGH HORIZONTAL ANGLES (90 - 270)
 # 4 - HORIZONTAL CONE THROUGH VERTICAL ANGLE (5) (THROUGH MAX. CD)

LUMINAIRE LUMENS 11243
TOTAL LUMINAIRE EFFICIENCY 54%
LUMINAIRE EFFICACY RATING 85
TOTAL LUMINAIRE WATTS 132

LUNA QUDO ACOUSTIC™ PENDANT

AVAILABLE FINISHES



F04
MATTE
WHITE



F05
GLOSS
WHITE



F09
PEWTER



F15
MATTE
BLACK



F16
GLOSS
BLACK



F18
SATIN
ALUMINUM



F21
ARCH
BRONZE



F31
SILVER
METALLIC

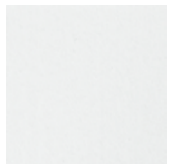


F33
PYRITE
BRONZE



RAL
CUSTOM
COLOR
(RAL #)

ACOUSTIC COLOURS



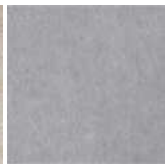
CW
COCONUT
WHITE



MA
MARBLE



CA
CAPPUCCINO



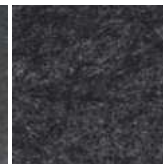
RG
RHINO
GREY



SG
STEEL
GREY



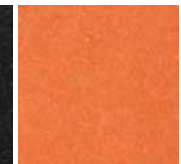
HG
HEATHER
GREY



SL
SLATE



CH
CHARCOAL



TA
TANGERINE



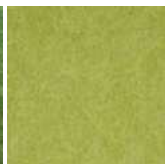
RR
RUBY
RED



MT
MANGO
TWIST



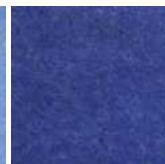
GG
GOLF
GREEN



GA
GREEN
APPLE



LB
LINEN
BLUE



DO
DEEP
OCEAN



CG
CYBER
GRAPE

NOTE: DISPLAYED FINISHES DIFFER BETWEEN SCREENS AS WELL AS PRINTERS AND MAY NOT ACCURATELY DEPICT COLOR.