

LUNA QUDO™ CEILING

PROJECT: _____

TYPE: _____

QUANTITY: _____



PN: 941LUQCL

APPLICATION	<ul style="list-style-type: none">• CEILING• INDOOR RATED
DIMENSION	<ul style="list-style-type: none">• 25", 37", 48", 60", 72", 84" (64CM, 94CM, 122CM, 152CM, 183CM, 213CM)• PROFILE: 1" W X 2.38"H (2.5CM X 6CM)
ILLUMINATION	<ul style="list-style-type: none">• DIRECT• LED 90CRI• 5,372 - 10,743 LUMENS
ELECTRICAL	<ul style="list-style-type: none">• 120 - 277V, AND UNI (120 - 277V)• 10KA SURGE SUPPRESSION STANDARD
DIFFUSERS	<ul style="list-style-type: none">• HIGH EFFICIENCY ACRYLIC
MOUNTING	<ul style="list-style-type: none">• CANOPY OR REMOTE MOUNTED DRIVERS
CONSTRUCTION	<ul style="list-style-type: none">• ALUMINUM
FINISHES	<ul style="list-style-type: none">• AVAILABLE IN SEVERAL TMS POWDER COATED FINISHES• CUSTOM RAL FINISHES AVAILABLE
DIMMING	<ul style="list-style-type: none">• 0 - 10V STANDARD DIMMING (1%)• LUTRON (1%) DIMMING OPTIONAL
WEIGHT	<ul style="list-style-type: none">• 45 LBS MAXIMUM



LUNA QUDO™ CEILING



PROJECT: _____

TYPE: _____

QUANTITY: _____

941LUQCL

1 2 3 4 5 6 7

1.	2D	3D	4D	5D	6D	7D
SIZE (L X W)	25" (64CM)	37" (94CM)	48" (122CM)	60" (152CM)	72" (183CM)	84" (213CM)
LED (W)	32W	48W	65W	80W	96W	118W
LUMENS	2843	4263	5683	7096	8229	10743

2.	H	M	L	C: _____ ¹
OUTPUT	100% LUMENS	75% LUMENS	50% LUMENS	[CUSTOM]% LUMENS

3.	30K	35K	40K
LED CCT	3000	3500	4000

4.	120	277	UNI
VOLTAGE	120V	277V	120 - 277V

5.	CD	RM
DRIVER	CANOPY MOUNT	REMOTE MOUNT

6.	F04	F05	F09	F15	F16	F18	F21	F31	F33	RAL
FINISH	MATTE WHITE	GLOSS BLACK	PEWTER	MATTE BLACK	GLOSS BLACK	SATIN ALUMINUM	ARCH BRONZE	SILVER METALLIC	PYRITE BRONZE	CUSTOM (SPECIFY)

7.	DIML	DIME
DIMMING	LED DIMMING (0 - 10V, CURRENT - SINKING)	LUTRON HI - LUME 1% ²

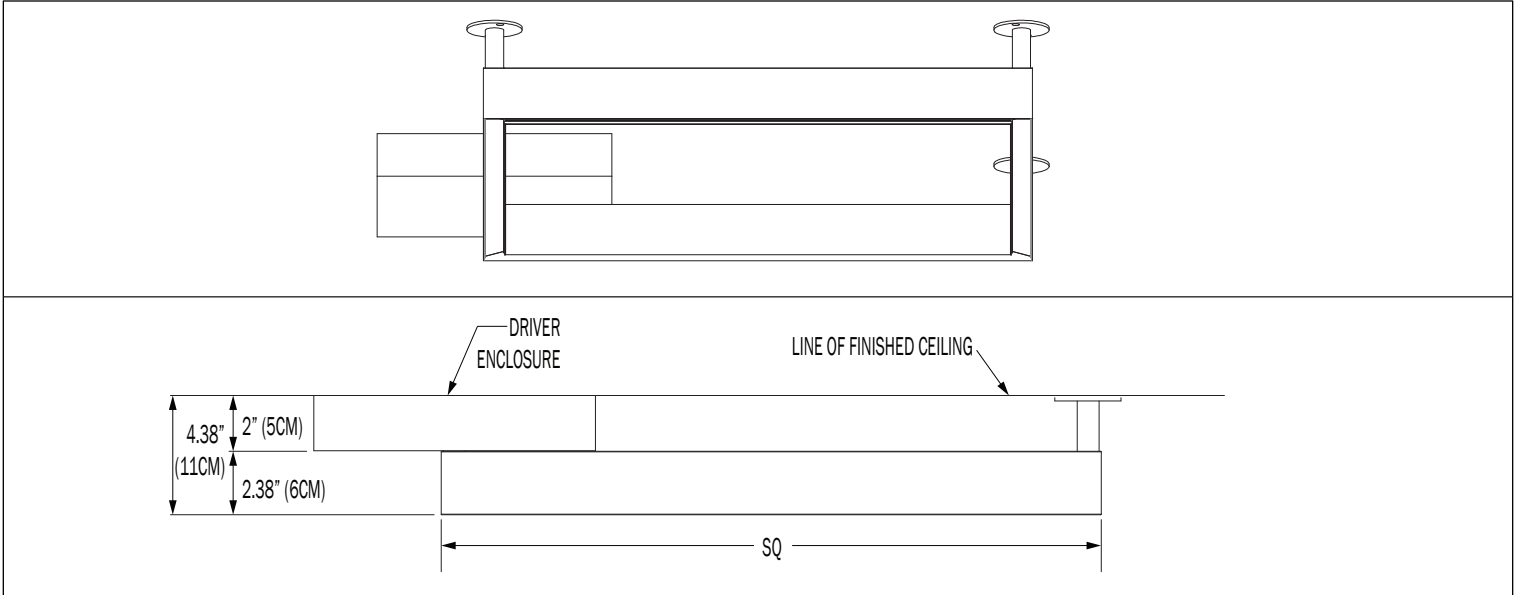
1. CUSTOM PERCENTAGE I.E. 60%. CONSULT FACTORY.
 2. DIAMETERS LARGER THAN 6FT (1.8M) ARE INCOMPATIBLE WITH LUTRON DIMMING

NOTE: SOME OPTIONS MAY NOT BE COMPATIBLE WITH OTHERS. ALL SPECIFICATIONS ARE SUBJECT TO CHANGE WITHOUT NOTICE. CONTACT TMS LIGHTING FOR UPDATED SPECIFICATIONS.

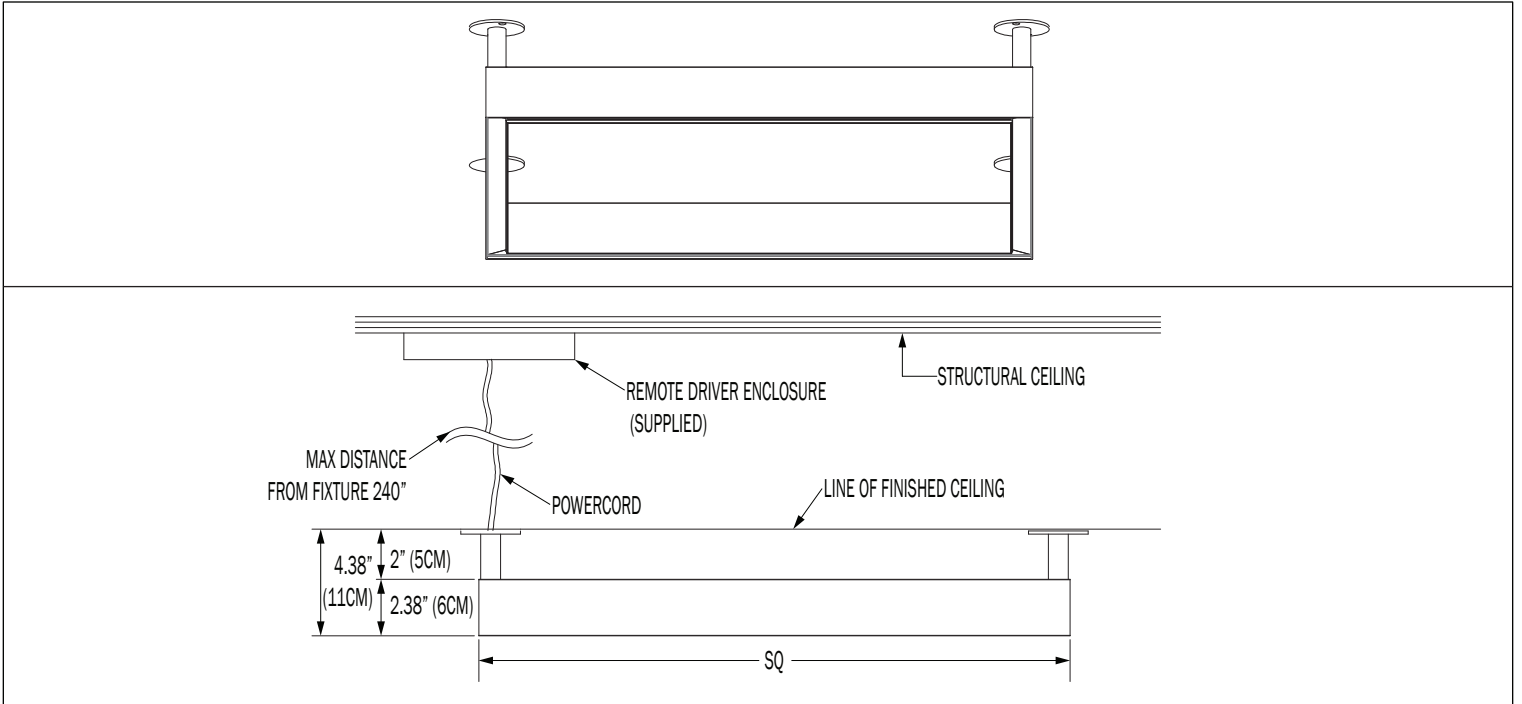
LUNA QUDO™ CEILING

941LUQCL

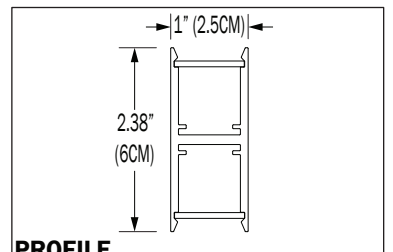
CANOPY MOUNT



REMOTE MOUNT



SIZE	SECTION	WEIGHT (LBS)
25"	1	15
36"	1	20
48"	1	28
60"	1	34
72"	1	39
84"	1	45



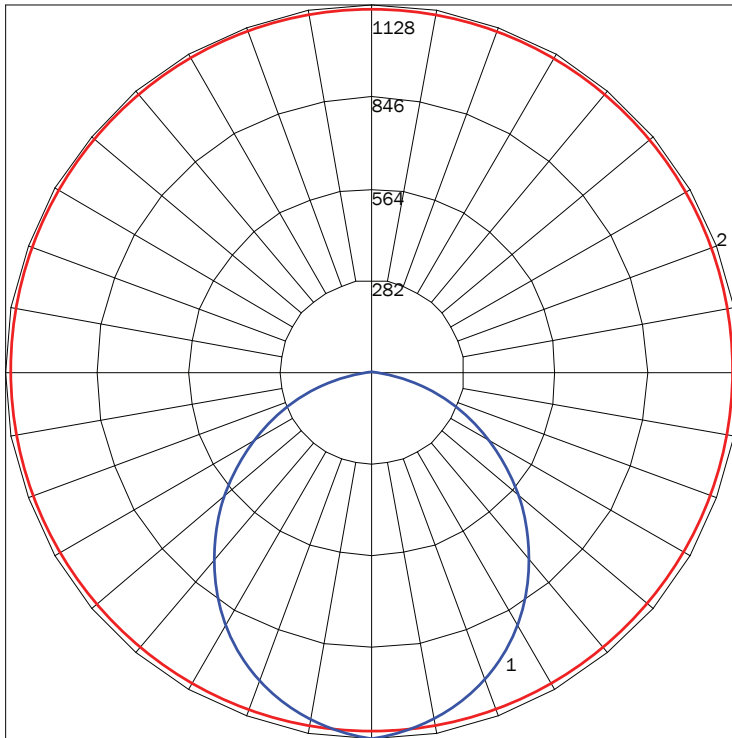
DIRECT

PN	SIZE (LENGHT)	LUMENS	WATTAGE
941LUQCL	2D	2843	32
	3D	4263	48
	4D	5683	65
	5D	7096	80
	6D	8229	96
	7D	10743	118

IES INDOOR REPORT

PHOTOMETRIC FILENAME : 941LUQCL 2D 35K F05.IES

POLAR GRAPH



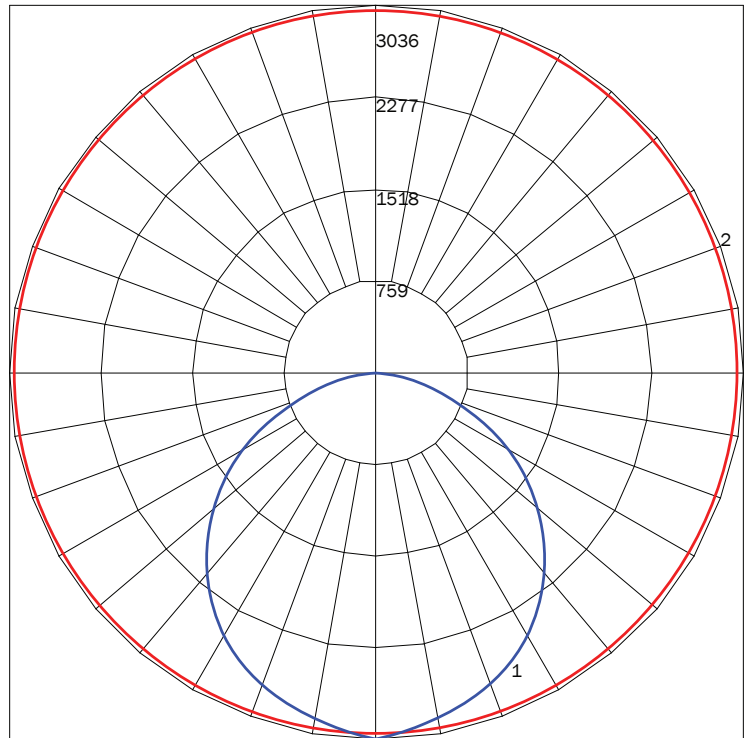
MAXIMUM CANDELA = 1127.86 LOCATED AT HORIZONTAL ANGLE = 0, VERTICAL ANGLE = 0
 # 1 - VERTICAL PLANE THROUGH HORIZONTAL ANGLES (0 - 180) (THROUGH MAX. CD.)
 # 2 - HORIZONTAL CONE THROUGH VERTICAL ANGLE (0) (THROUGH MAX. CD.)

LUMINAIRE LUMENS 2843
TOTAL LUMINAIRE EFFICIENCY 55%
LUMINAIRE EFFICACY RATING 89
TOTAL LUMINAIRE WATTS 32

IES INDOOR REPORT

PHOTOMETRIC FILENAME : 941LUQCL 6D 35K F05.IES

POLAR GRAPH



MAXIMUM CANDELA = 3035.9 LOCATED AT HORIZONTAL ANGLE = 0, VERTICAL ANGLE = 0
 # 1 - VERTICAL PLANE THROUGH HORIZONTAL ANGLES (0 - 180) (THROUGH MAX. CD.)
 # 2 - HORIZONTAL CONE THROUGH VERTICAL ANGLE (0) (THROUGH MAX. CD.)

LUMINAIRE LUMENS 8229
TOTAL LUMINAIRE EFFICIENCY 53%
LUMINAIRE EFFICACY RATING 86
TOTAL LUMINAIRE WATTS 96

AVAILABLE FINISHES



F04
MATTE
WHITE



F05
GLOSS
WHITE



F09
PEWTER



F15
MATTE
BLACK



F16
GLOSS
BLACK



F18
SATIN
ALUMINUM



F21
ARCH
BRONZE



F31
SILVER
METALLIC



F33
PYRITE
BRONZE



RAL
CUSTOM
COLOR
(RAL #)

NOTE: DISPLAYED FINISHES DIFFER BETWEEN SCREENS AS WELL AS PRINTERS AND MAY NOT ACCURATELY DEPICT COLOR.