

LUNA QUDO™ PENDANT

PROJECT: _____

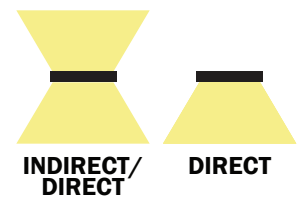
TYPE: _____

QUANTITY: _____



PN: 941LUQP

APPLICATION	<ul style="list-style-type: none"> • PENDANT MOUNT • INDOOR RATED
DIMENSION	<ul style="list-style-type: none"> • 25" TO 84" (64CM TO 213CM) • PROFILE: 1"W X 2.38"H (2.5CM X 6CM)
ILLUMINATION	<ul style="list-style-type: none"> • DIRECT OR INDIRECT/DIRECT • LED 90CRI • 2,843 - 19,475 LUMENS
DRIVER	<ul style="list-style-type: none"> • CANOPY OR REMOTE MOUNT • 120V, 277V, AND UNI (120 - 277V) • 10KA SURGE SUPPRESSION STANDARD
DIFFUSERS	<ul style="list-style-type: none"> • HIGH EFFICIENCY ACRYLIC
MOUNTING	<ul style="list-style-type: none"> • 96" (244CM) BLACK OR WHITE DROP CORD W/ AIRCRAFT CABLES
CONSTRUCTION	<ul style="list-style-type: none"> • ALUMINUM
FINISHES	<ul style="list-style-type: none"> • AVAILABLE IN SEVERAL TMS POWDER COATED FINISHES • CUSTOM RAL FINISHES AVAILABLE
DIMMING	<ul style="list-style-type: none"> • 0 - 10V STANDARD DIMMING
WEIGHT	<ul style="list-style-type: none"> • 47 LBS MAXIMUM



LUNA QUDO™ PENDANT



PROJECT: _____

TYPE: _____

QUANTITY: _____

941LUQP

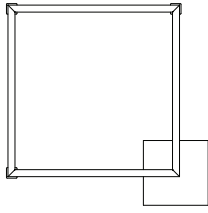
1 2 3 4 5 6 7 8 9 10

1.	DIRECT									
LENGTH	2D	3D	4D	5D	6D	7D				
	25" (63CM)	37" (94CM)	48" (122CM)	60" (152CM)	72" (183CM)	---				
LED (W)	32W	48W	65W	80W	96W	---				
LUMENS	2843	4264	5683	7096	8229	---				
	INDIRECT/DIRECT									
LENGTH	2ID	3ID	4ID	5ID	6ID	7ID				
	25" (63CM)	37" (94CM)	48" (122CM)	60" (152CM)	72" (183CM)	84" (213CM)				
LED (W)	64W	96W	132W	160W	192W	224W				
LUMENS	5478	8296	11243	13926	16263	19475				
2.	H	M	L	C: _____ ¹						
OUTPUT	100% LUMENS	75% LUMENS	50% LUMENS	[CUSTOM]% LUMENS						
3.	30K		35K		40K					
LED CCT	3000		3500		4000					
4.	120		277		UNI					
VOLTAGE	120V		277V		120 - 277V					
5.	S			D						
CIRCUITS	SINGLE			DUAL						
6.	CD			RM						
DRIVER	CANOPY MOUNT			REMOTE MOUNT						
7.	MM			PS						
MOUNTING	MULTIPLE AIRCRAFT CABLES			SINGLE PLATED W/ AIRCRAFT CABLES						
8.	BC			WC						
CORD	BLACK DROP CORD			WHITE DROP CORD						
9.	F04	F05	F09	F15	F16	F18	F21	F31	F33	RAL
FINISH	MATTE WHITE	GLOSS WHITE	PEWTER	MATTE BLACK	GLOSS BLACK	SATIN ALUMINUM	ARCH BRONZE	SILVER METALLIC	PYRITE BRONZE	CUSTOM (SPECIFY)
10.	DIML									
DIMMING	LED DIMMING (0 - 10V, CURRENT - SINKING)									

1. CUSTOM PERCENTAGE I.E. 60%. CONSULT FACTORY

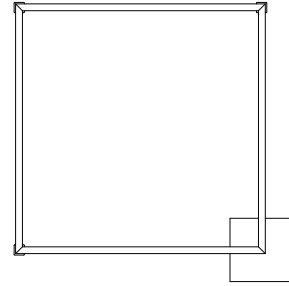
NOTE: SOME OPTIONS MAY NOT BE COMPATIBLE WITH OTHERS. ALL SPECIFICATIONS ARE SUBJECT TO CHANGE WITHOUT NOTICE. CONTACT TMS LIGHTING FOR UPDATED SPECIFICATIONS.

LUNA QUDO™ PENDANT



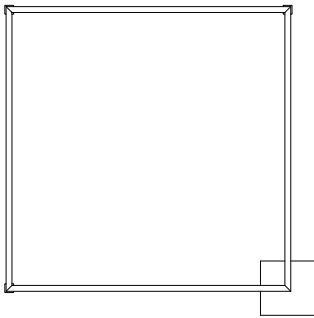
- MOUNTING POINTS: 4
- CANOPY SIZE: 9" (13CM)
- WEIGHT D/ID: 17 LBS

2D



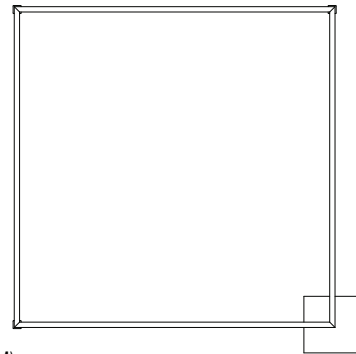
- MOUNTING POINTS: 4
- CANOPY SIZE: 9" (13CM)
- WEIGHT D/ID: 21 LBS

3D



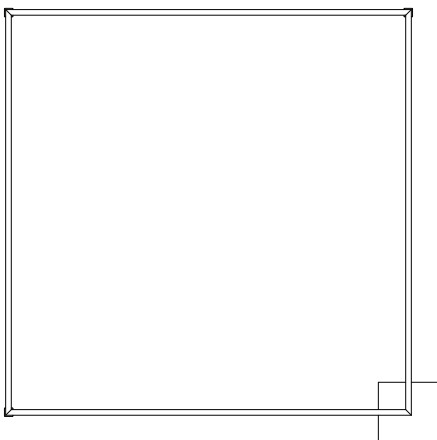
- MOUNTING POINTS: 4
- CANOPY SIZE: 9" (13CM)
- WEIGHT D/ID: 25 LBS

4D



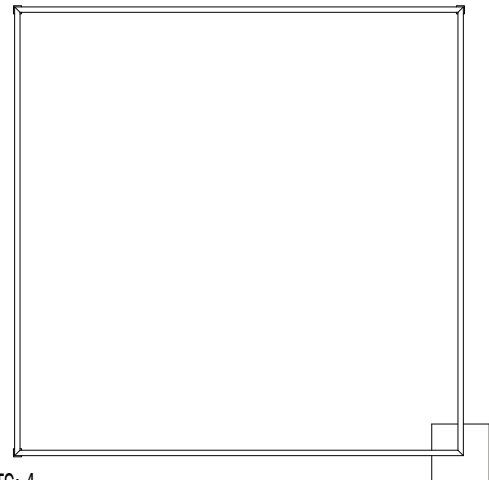
- MOUNTING POINTS: 4
- CANOPY SIZE: 13" (33CM)
- WEIGHT D/ID: 37 LBS

5D



- MOUNTING POINTS: 4
- CANOPY SIZE: 13" (33CM)
- WEIGHT D/ID: 42 LBS

6D



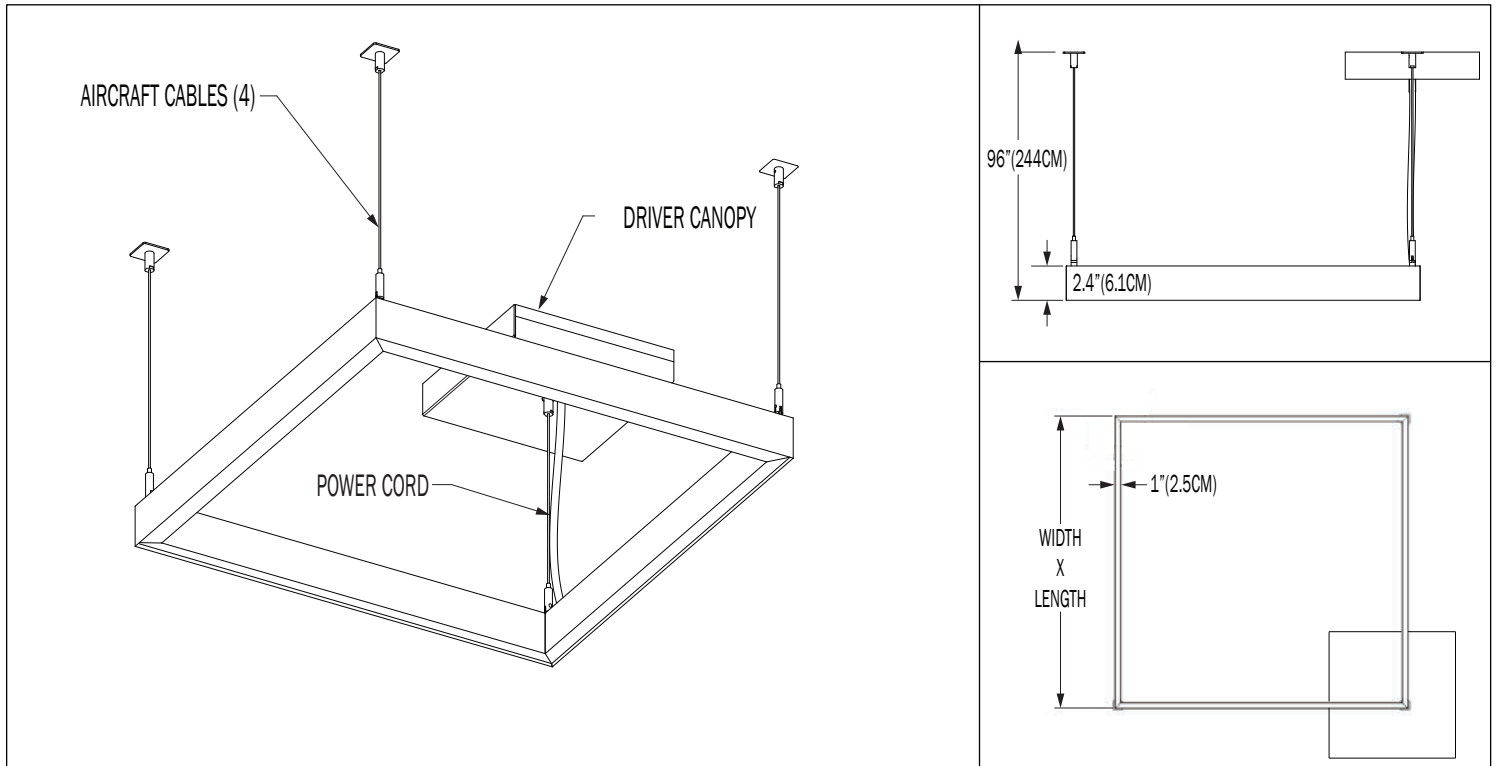
- MOUNTING POINTS: 4
- CANOPY SIZE: 13" (33CM)
- WEIGHT D/ID: 47 LBS

7D

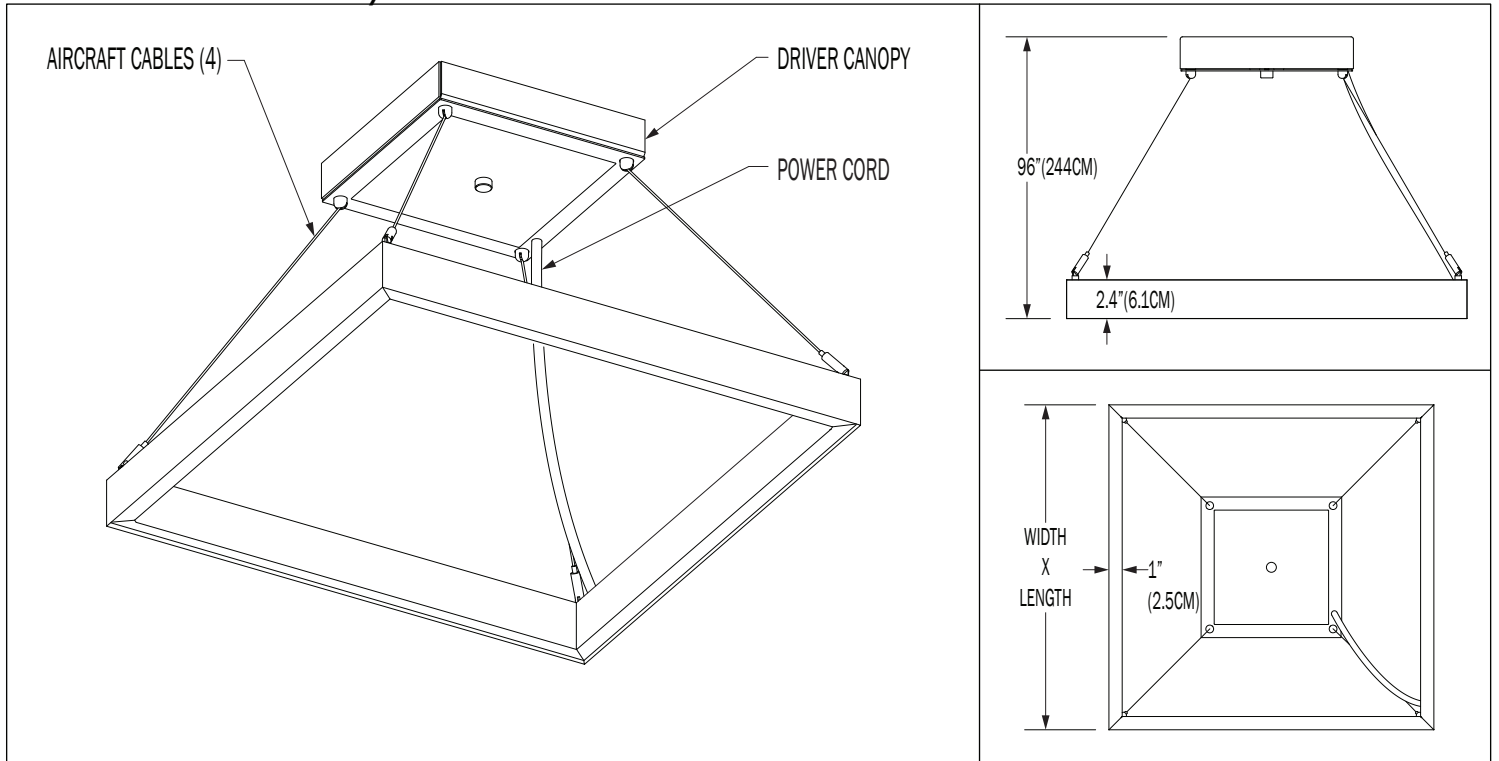
LUNA QUDO™ PENDANT

941LUQP

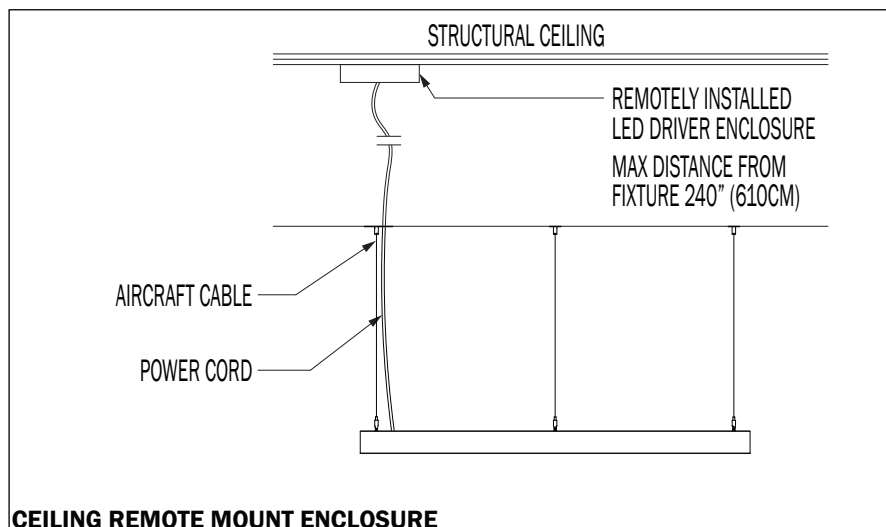
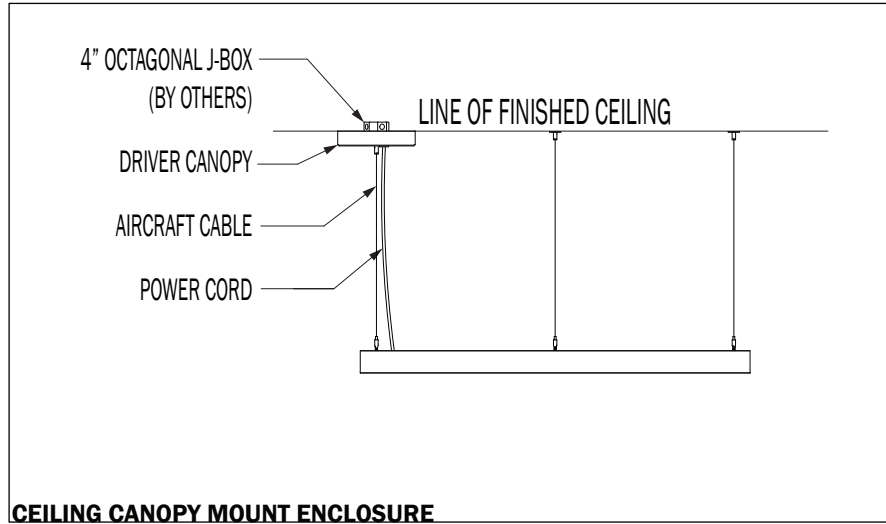
MM - MULTIPLE AIRCRAFT CABLE



PS - SINGLE PLATED W/ AIRCRAFT CABLE



LUNA QUDO™ PENDANT



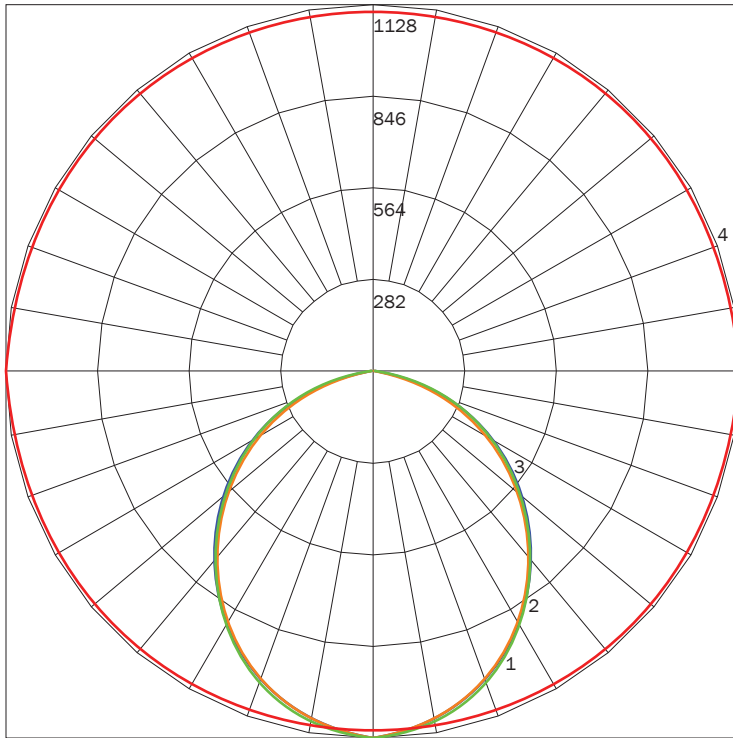
DIRECT

PN	SIZE (LXW)	LUMENS	WATTAGE
941LUQP	24D	2843	32
	36D	4264	48
	48D	5683	65
	60D	7096	80
	72D	8229	96
	84D	---	---

IES INDOOR REPORT

PHOTOMETRIC FILENAME : 941LUQ 24 D 3500K.IES

POLAR GRAPH



MAXIMUM CANDELA = 1127.86 LOCATED AT HORIZONTAL ANGLE = 0, VERTICAL ANGLE = 0
 # 1 - VERTICAL PLANE THROUGH HORIZONTAL ANGLES (0 - 180) (THROUGH MAX. CD.)
 # 2 - VERTICAL PLANE THROUGH HORIZONTAL ANGLES (45 - 225)
 # 3 - VERTICAL PLANE THROUGH HORIZONTAL ANGLES (90 - 270)
 # 4 - HORIZONTAL CONE THROUGH VERTICAL ANGLE (0) (THROUGH MAX. CD.)

LUMINAIRE LUMENS	2843
TOTAL LUMINAIRE EFFICIENCY	55%
LUMINAIRE EFFICACY RATING	89
TOTAL LUMINAIRE WATTS	32

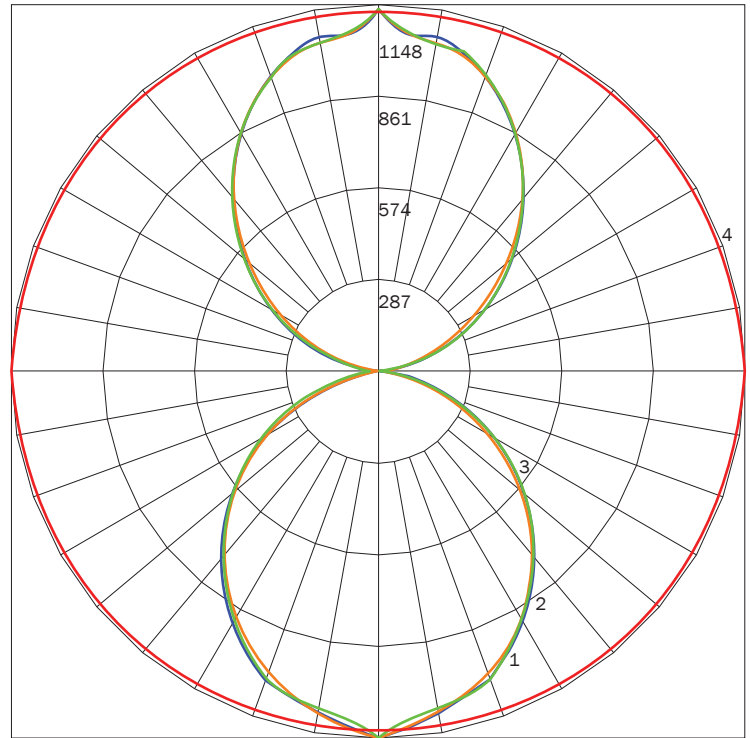
INDIRECT / DIRECT

PN	SIZE (LXW)	LUMENS	WATTAGE
941LUQP	24ID	5478	64
	36ID	8296	96
	48ID	11243	132
	60ID	13926	160
	72ID	16263	192
	84ID	19475	224

IES INDOOR REPORT

PHOTOMETRIC FILENAME : 941LUQ 24 ID 3500K.IES

POLAR GRAPH



MAXIMUM CANDELA = 1148.09 LOCATED AT HORIZONTAL ANGLE = 0, VERTICAL ANGLE = 0
 # 1 - VERTICAL PLANE THROUGH HORIZONTAL ANGLES (0 - 180) (THROUGH MAX. CD.)
 # 2 - VERTICAL PLANE THROUGH HORIZONTAL ANGLES (45 - 225)
 # 3 - VERTICAL PLANE THROUGH HORIZONTAL ANGLES (90 - 270)
 # 4 - HORIZONTAL CONE THROUGH VERTICAL ANGLE (0) (THROUGH MAX. CD.)

LUMINAIRE LUMENS	5478
TOTAL LUMINAIRE EFFICIENCY	54%
LUMINAIRE EFFICACY RATING	86
TOTAL LUMINAIRE WATTS	64

LUNA QUDO™ PENDANT

AVAILABLE FINISHES



F04
MATTE
WHITE



F05
GLOSS
WHITE



F09
PEWTER



F15
MATTE
BLACK



F16
GLOSS
BLACK



F18
SATIN
ALUMINUM



F21
ARCH
BRONZE



F31
SILVER
METALLIC



F33
PYRITE
BRONZE



RAL
CUSTOM
COLOR
(RAL #)

NOTE: DISPLAYED FINISHES DIFFER BETWEEN SCREENS AS WELL AS PRINTERS AND MAY NOT ACCURATELY DEPICT COLOR.