

LUNA FUSO L™ CEILING

PROJECT: _____

TYPE: _____

QUANTITY: _____



PN: 871LU02

APPLICATION	<ul style="list-style-type: none">• DIRECT/DIRECT INDIRECT PENDANT• INDOOR RATED
DIMENSIONS	<ul style="list-style-type: none">• AVAILABLE IN 1 x 48" & 2 x 24" DIAMETER• CUSTOM SIZES AVAILABLE
ILLUMINATION	<ul style="list-style-type: none">• LED 90CRI• 10743 - 21346 LUMENS
ELECTRICAL	<ul style="list-style-type: none">• 120-277V• 6KV SURGE SUPPRESSION STANDARD
DIFFUSERS	<ul style="list-style-type: none">• HIGH EFFICIENCY ACRYLIC
MOUNTING	<ul style="list-style-type: none">• CANOPY MOUNTED OR REMOTE MOUNTED DRIVERS
CONSTRUCTION	<ul style="list-style-type: none">• ALUMINUM
FINISHES	<ul style="list-style-type: none">• AVAILABLE IN SEVERAL TMS POLYESTER POWDER COATED FINISHES• CUSTOM RAL FINISHES AVAILABLE
DIMMING	<ul style="list-style-type: none">• 0-10V STANDARD
WEIGHT	<ul style="list-style-type: none">• 35 LBS MAXIMUM



DIRECT

LUNA FUSO L™ CEILING



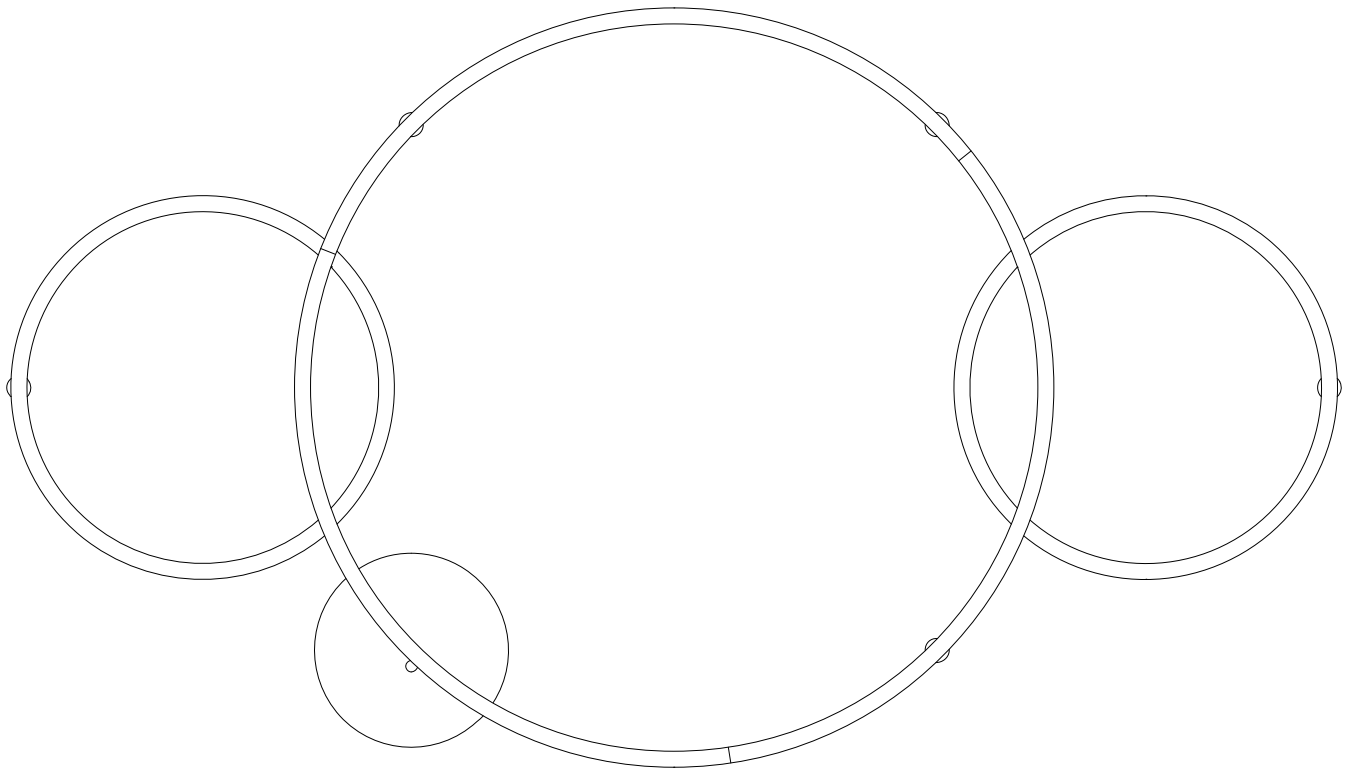
PROJECT: _____
 TYPE: _____
 QUANTITY: _____

871LU02

1 2 3 4 5 6 7

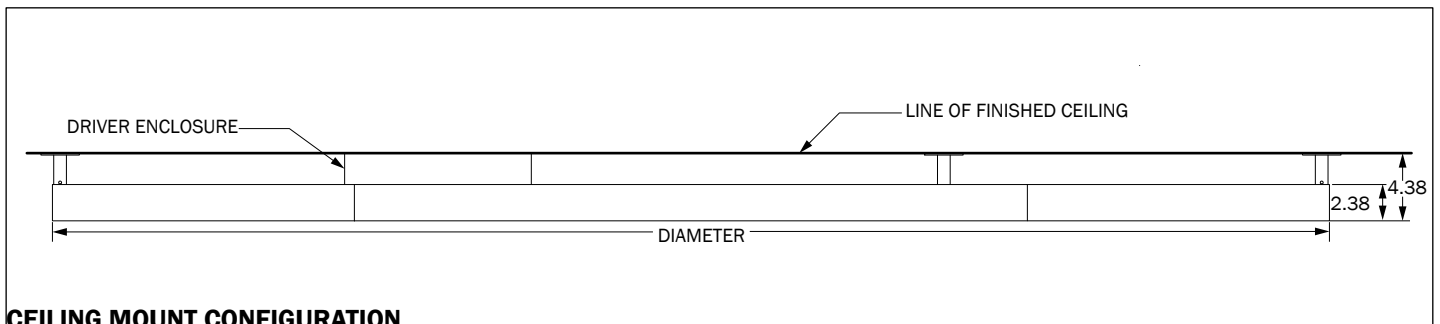
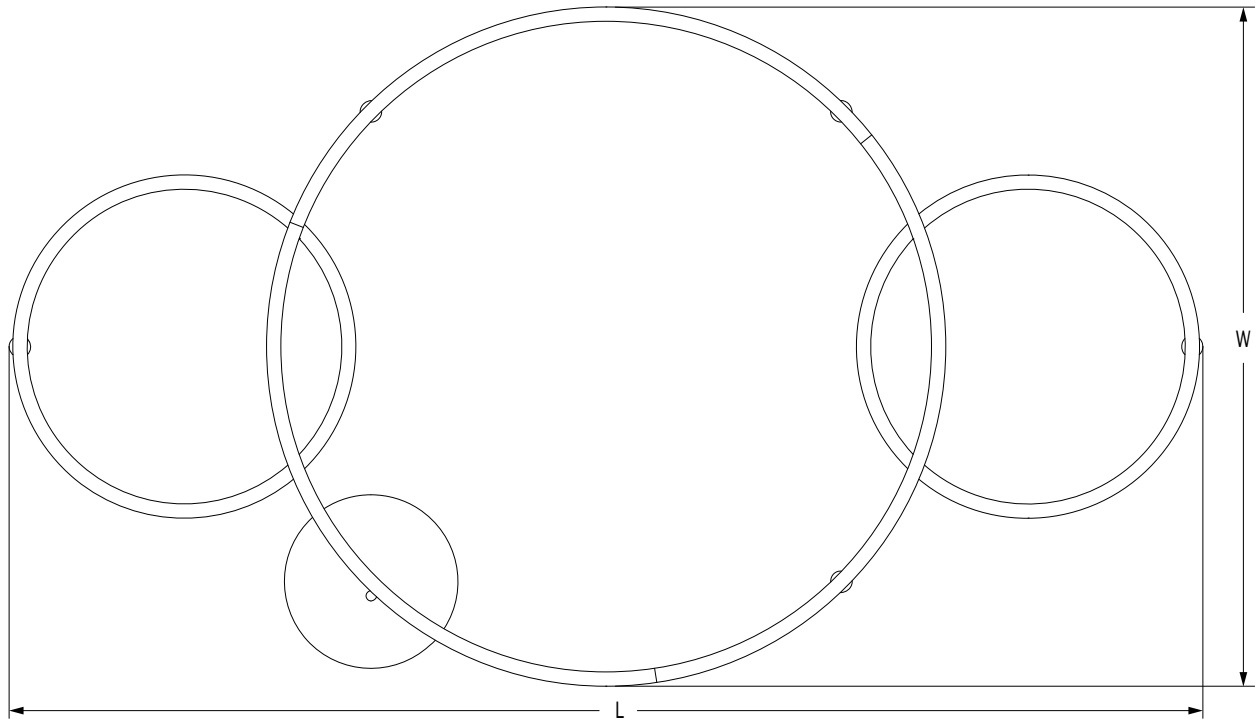
1.	DIRECT									
PN	242D									
L"xW"	83x48									
LED	118									
LUMENS	10743									
	DIRECT / INDIRECT									
PN	242ID									
L"xW"	83x48									
LED	237									
LUMENS	21346									
2.	H		M			L			C ¹	
OUTPUT	100% LUMEN OUTPUT		75% LUMEN OUTPUT			50% LUMEN OUTPUT			[CUSTOM] % LUMEN OUTPUT	
3.	30K			35K			40K			
CCT	3000			3500			4000			
4.	120			277			UNI			
VOLTAGE	120V			277V			120-277V			
5.	CD					RM				
CORD	CANOPY MOUNT					REMOTE MOUNT				
6.	F04	F05	F09	F15	F16	F18	F21	F31	F33	RAL
FINISH	MATTE BLACK	GLOSS WHITE	PEWTER	MATTE BLACK	GLOSS BLACK	SATIN ALUMINUM	ARCH BRONZE	SILVER METALLIC	PYRITE BRONZE	CUSTOM (SPECIFY)
7.	DIML									
DIMMING	LED DIMMING (0-10V)									

NOTE: SOME OPTIONS MAY NOT BE COMPATIBLE WITH OTHERS. ALL SPECIFICATIONS ARE SUBJECT TO CHANGE WITHOUT NOTICE. CONTACT TMS LIGHTING FOR UPDATED SPECIFICATIONS.

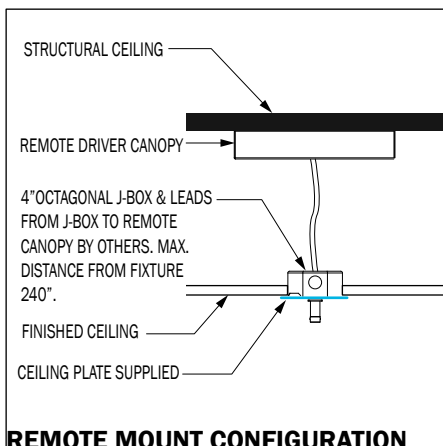


242D

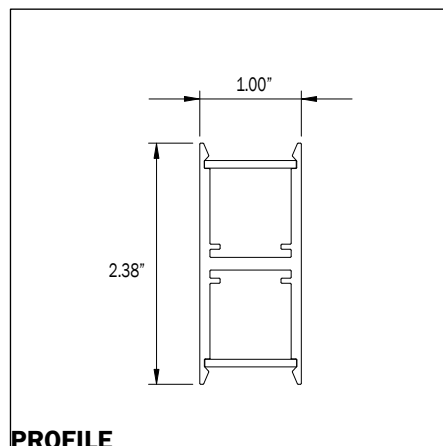
DIMENSIONAL DIAGRAMS



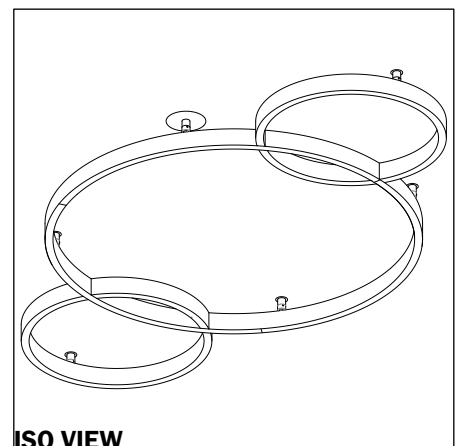
CEILING MOUNT CONFIGURATION



REMOTE MOUNT CONFIGURATION



PROFILE



ISO VIEW

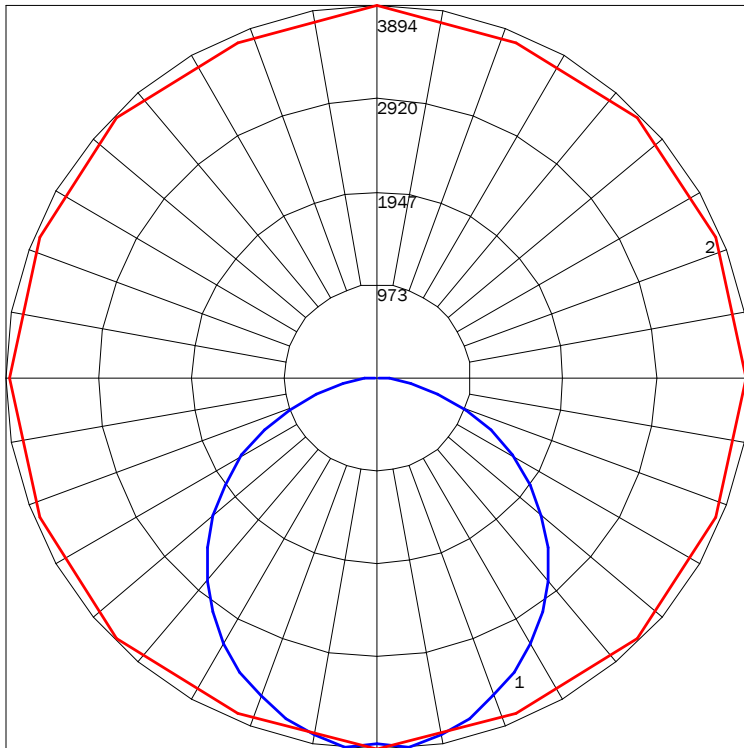
DIRECT

PN	LUMENS	WATTAGE	CANOPY DIA	WEIGHT
242D	10743	118	12"	30 LBS

IES INDOOR REPORT

PHOTOMETRIC FILENAME : 871LU03-84-D-35K-F05.IES

POLAR GRAPH



MAXIMUM CANDELA = 3893.9 LOCATED AT HORIZONTAL ANGLE = 90, VERTICAL ANGLE = 5
 # 1 - VERTICAL PLANE THROUGH HORIZONTAL ANGLES (90 - 270) (THROUGH MAX. CD.)
 # 2 - HORIZONTAL CONE THROUGH VERTICAL ANGLE (5) (THROUGH MAX. CD.)

LUMINAIRE LUMENS	10743
TOTAL LUMINAIRE EFFICIENCY	71%
LUMINAIRE EFFECIENCY RATING	91
TOTAL LUMINAIRE WATTS	118

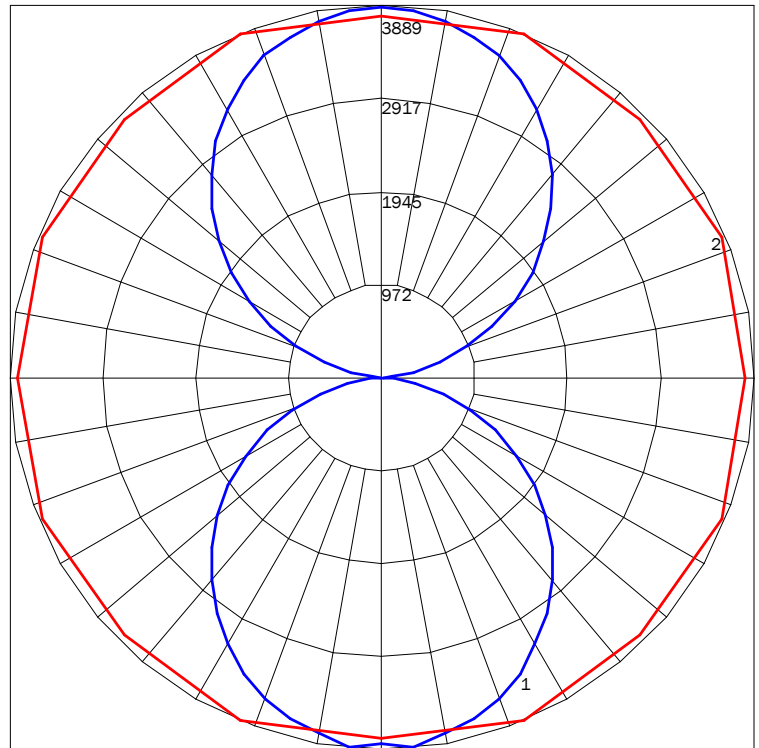
INDIRECT / DIRECT

PN	LUMENS	WATTAGE	CANOPY DIA	WEIGHT
242ID	21346	237	15"	38 LBS

IES INDOOR REPORT

PHOTOMETRIC FILENAME : 871LU03-84-ID-35K-F05.IES

POLAR GRAPH



MAXIMUM CANDELA = 3889.18 LOCATED AT HORIZONTAL ANGLE = 67.5, VERTICAL ANGLE = 5
 # 1 - VERTICAL PLANE THROUGH HORIZONTAL ANGLES (67.5 - 247.5) (THROUGH MAX. CD.)
 # 2 - HORIZONTAL CONE THROUGH VERTICAL ANGLE (5) (THROUGH MAX. CD.)

LUMINAIRE LUMENS	21348
TOTAL LUMINAIRE EFFICIENCY	71%
LUMINAIRE EFFECIENCY RATING	90
TOTAL LUMINAIRE WATTS	236

AVAILABLE FINISHES



F04
MATTE
WHITE



F05
GLOSS
WHITE



F09
PEWTER



F15
MATTE
BLACK



F16
GLOSS
BLACK



F18
SATIN
ALUMINUM



F21
ARCH
BRONZE



F31
SILVER
METALLIC



F33
PYRITE
BRONZE



RAL
CUSTOM
COLOR
(RAL #)

DISPLAYED FINISHES DIFFER BETWEEN SCREENS AS WELL AS PRINTERS AND MAY NOT ACCURATELY DEPICT COLOR.