

LUNA FUSO L™ PENDANT

PROJECT: _____

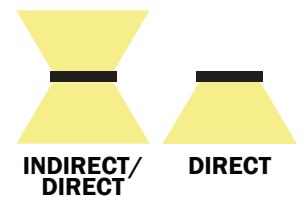
TYPE: _____

QUANTITY: _____



PN: 871LU03

APPLICATION	<ul style="list-style-type: none"> • PENDANT MOUNT • INDOOR RATED
DIMENSION	<ul style="list-style-type: none"> • 83" L X 48" W (211CM X 122CM)
ILLUMINATION	<ul style="list-style-type: none"> • DIRECT OR DIRECT/INDIRECT • LED 90CRI • 10,743 - 21,346 LUMENS
DRIVER	<ul style="list-style-type: none"> • CANOPY OR REMOTE MOUNT • 120 - 277V (347V CONSULT FACTORY) • 10KA SURGE SUPPRESSION STANDARD
DIFFUSERS	<ul style="list-style-type: none"> • HIGH EFFICIENCY ACRYLIC
MOUNTING	<ul style="list-style-type: none"> • 96" (244CM) BLACK OR WHITE DROP CORD W/ AIRCRAFT CABLES
CONSTRUCTION	<ul style="list-style-type: none"> • ALUMINUM
FINISHES	<ul style="list-style-type: none"> • AVAILABLE IN SEVERAL TMS POWDER COATED FINISHES • CUSTOM RAL FINISHES AVAILABLE
DIMMING	<ul style="list-style-type: none"> • 0 - 10V STANDARD DIMMING (1%)
WEIGHT	<ul style="list-style-type: none"> • 56 LBS MAXIMUM



LUNA FUSO L™ PENDANT



PROJECT: _____

TYPE: _____

QUANTITY: _____

871LU03

----- 1 ----- 2 ----- 3 ----- 4 ----- 5 ----- 6 ----- 7 ----- 8 ----- 9 -----

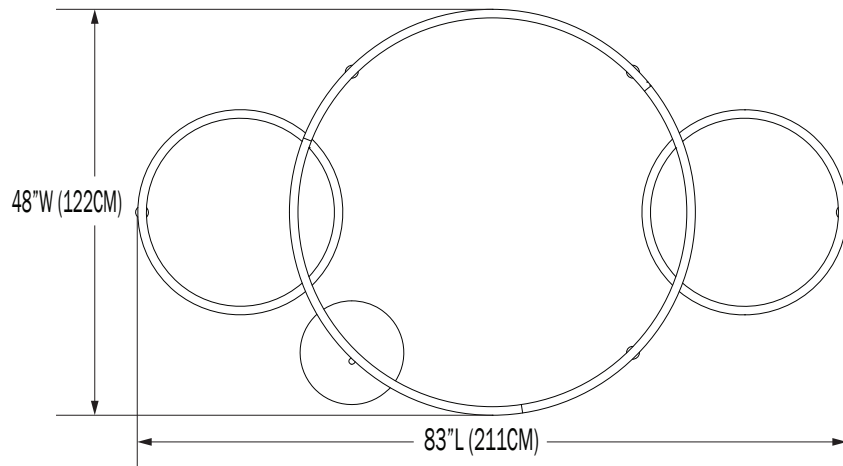
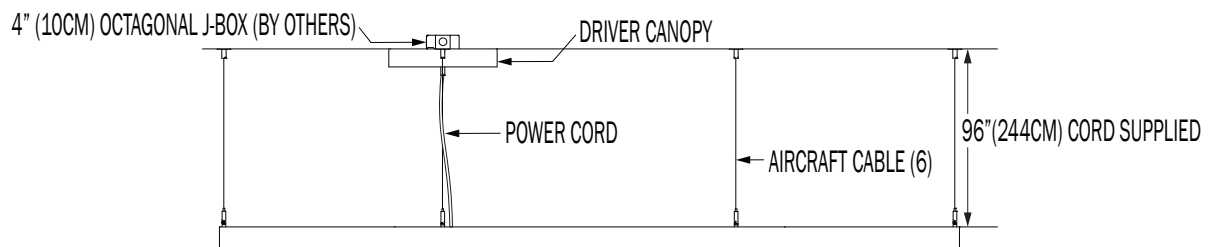
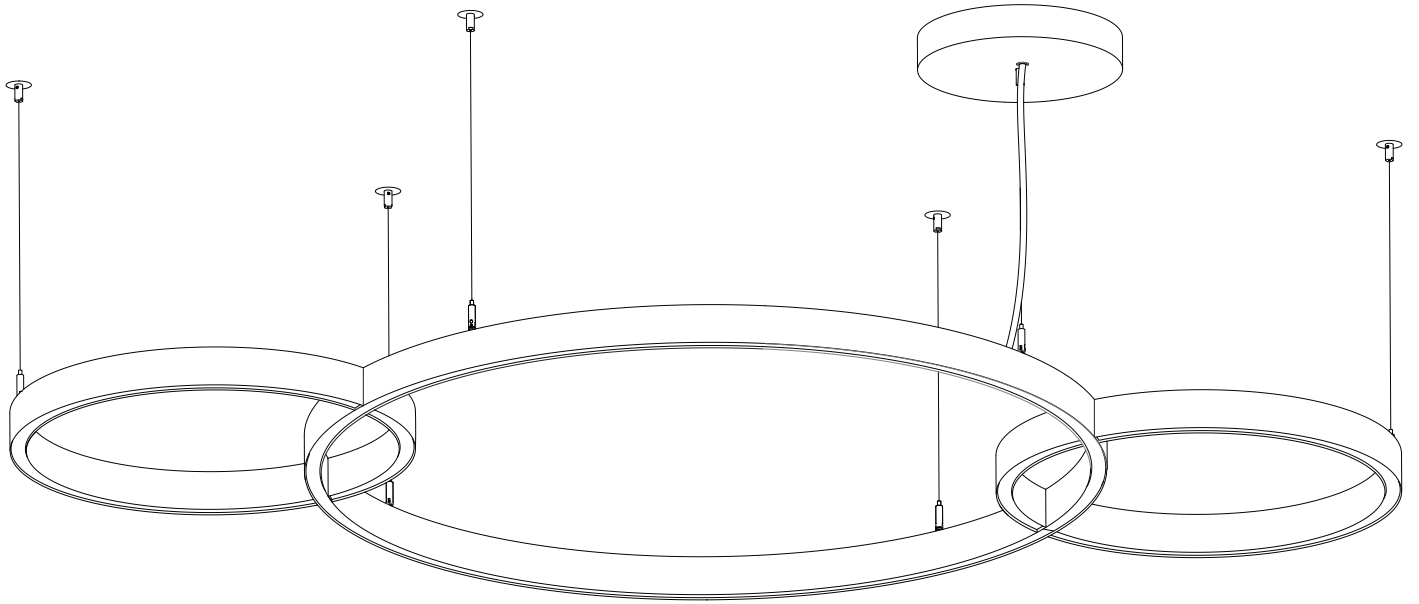
1.	DIRECT									
SIZE	242D									
	83"L x 48"W (211CM x 122CM)									
LED (W)	119W									
LUMENS	10743									
1.	INDIRECT/DIRECT									
SIZE	242ID									
	83"L x 48"W (211CM x 122CM)									
LED (W)	237W									
LUMENS	21346									
2.	H		M			L			C: _____¹	
OUTPUT	100% LUMENS		75% LUMENS			50% LUMENS			[CUSTOM]% LUMENS	
3.	30K			35K			40K			
LED CCT	3000			3500			4000			
4.	120			277			UNI			
VOLTAGE	120V			277V			120-277V			
5.	S					D				
CIRCUITS	SINGLE					DUAL				
6.	CD					RM				
DRIVER	CANOPY MOUNT					REMOTE MOUNT				
7.	BC					WC				
CORD	BLACK DROP CORD					WHITE DROP CORD				
8.	F04	F05	F09	F15	F16	F18	F21	F31	F33	RAL
FINISH	MATTE WHITE	GLOSS WHITE	PEWTER	MATTE BLACK	GLOSS BLACK	SATIN ALUMINUM	ARCH BRONZE	SILVER METALLIC	PYRITE BRONZE	CUSTOM (SPECIFY)
9.	DIML					DIME				
DIMMING	STANDARD 0 - 10V (1%)					LUTRON HI - LUME (1%)				

1. CUSTOM PERCENTAGE I.E. 60%. CONSULT FACTORY.

NOTE: SOME OPTIONS MAY NOT BE COMPATIBLE WITH OTHERS. ALL SPECIFICATIONS ARE SUBJECT TO CHANGE WITHOUT NOTICE. CONTACT TMS LIGHTING FOR UPDATED SPECIFICATIONS.

LUNA FUSO L™ PENDANT

871LU03



LUNA FUSO LTM PENDANT

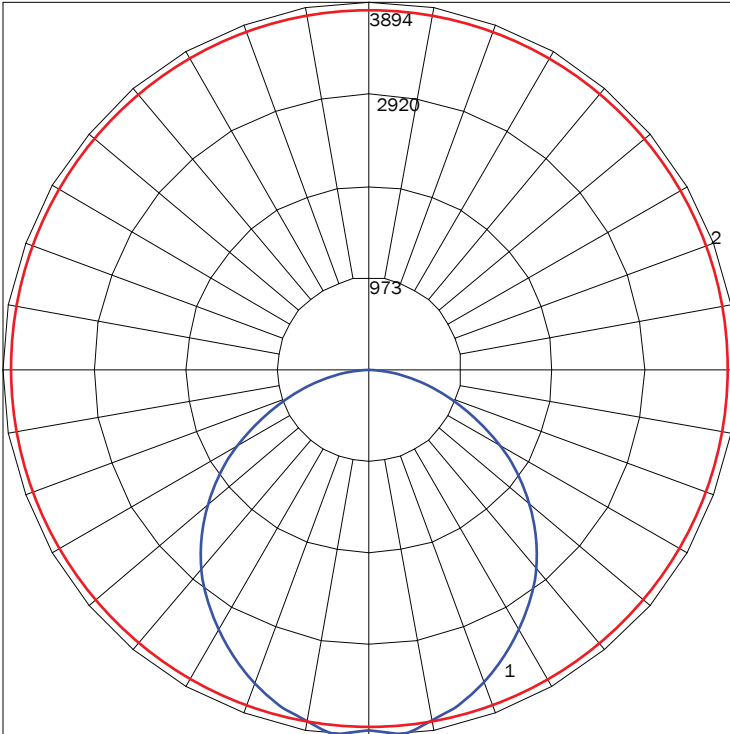
DIRECT

PN	LUMENS	WATTAGE
87LU03	10743	118

IES INDOOR REPORT

PHOTOMETRIC FILENAME : 871LU03-84-D-35K-F05.IES

POLAR GRAPH



MAXIMUM CANDELA = 3893.9 LOCATED AT HORIZONTAL ANGLE = 90, VERTICAL ANGLE = 5
 # 1 - VERTICAL PLANE THROUGH HORIZONTAL ANGLES (90 - 270) (THROUGH MAX. CD.)
 # 2 - HORIZONTAL CONE THROUGH VERTICAL ANGLE (5) (THROUGH MAX. CD.)

LUMINAIRE LUMENS	10743
TOTAL LUMINAIRE EFFICIENCY	71%
LUMINAIRE EFFICACY RATING	91
TOTAL LUMINAIRE WATTS	119

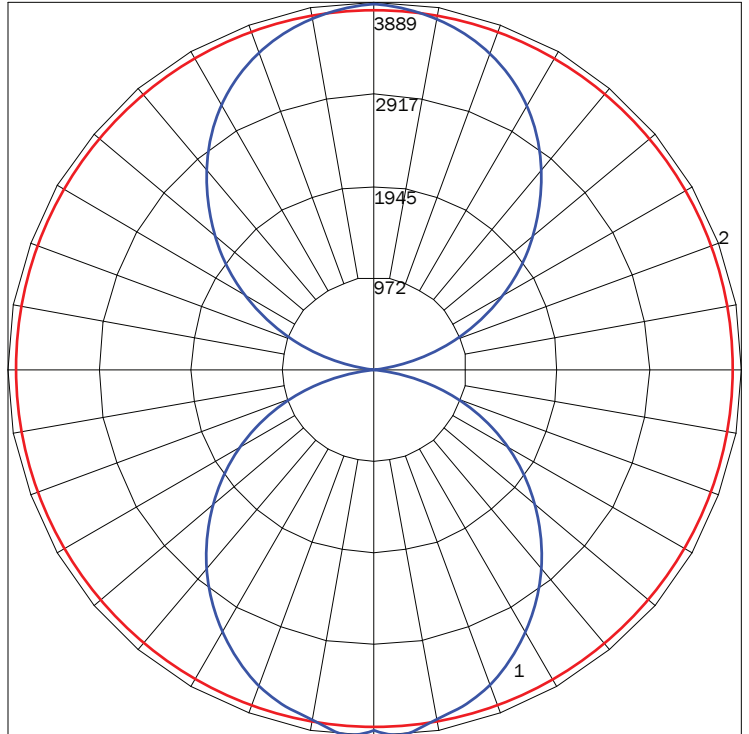
INDIRECT / DIRECT

PN	LUMENS	WATTAGE
87LU03	21346	237

IES INDOOR REPORT

PHOTOMETRIC FILENAME : 871LU03-84-ID-35K-F05.IES

POLAR GRAPH



MAXIMUM CANDELA = 3899.18 LOCATED AT HORIZONTAL ANGLE = 67.5, VERTICAL ANGLE = 5
 # 1 - VERTICAL PLANE THROUGH HORIZONTAL ANGLES (65.7 - 247.5) (THROUGH MAX. CD.)
 # 2 - HORIZONTAL CONE THROUGH VERTICAL ANGLE (5) (THROUGH MAX. CD.)

LUMINAIRE LUMENS	21346
TOTAL LUMINAIRE EFFICIENCY	71%
LUMINAIRE EFFICACY RATING	90
TOTAL LUMINAIRE WATTS	237

LUNA FUSO L™ PENDANT

AVAILABLE FINISHES



F04
MATTE
WHITE



F05
GLOSS
WHITE



F09
PEWTER



F15
MATTE
BLACK



F16
GLOSS
BLACK



F18
SATIN
ALUMINUM



F21
ARCH
BRONZE



F31
SILVER
METALLIC



F32
METALLIC
BRONZE



F33
PYRITE
BRONZE



RAL
CUSTOM
COLOR
(RAL #)

NOTE: DISPLAYED FINISHES DIFFER BETWEEN SCREENS AS WELL AS PRINTERS AND MAY NOT ACCURATELY DEPICT COLOR.