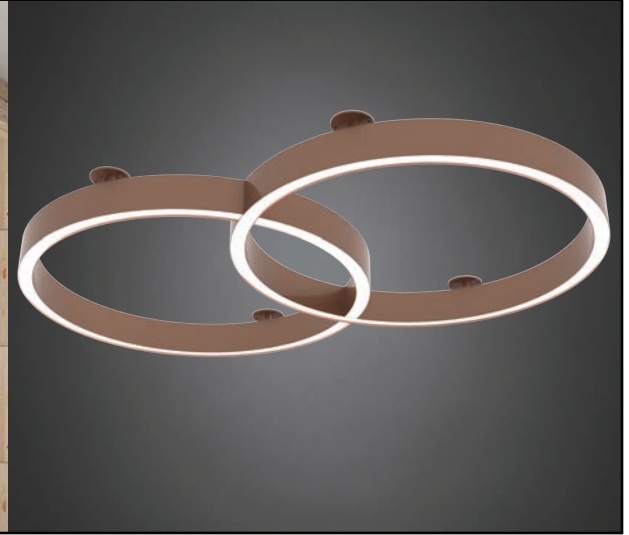


LUNA FUSO™ CEILING

PROJECT: _____

TYPE: _____

QUANTITY: _____



PN: 871LU02CL

APPLICATION	<ul style="list-style-type: none">• CEILING• INDOOR RATED
DIMENSION	<ul style="list-style-type: none">• 24", 36", OR 48" (61CM, 91CM, 122CM)• PROFILE: 1" W X 2.38"H (2.5CM X 6CM)
ILLUMINATION	<ul style="list-style-type: none">• DIRECT• LED 90CRI• 5,675 - 16,704 LUMENS
ELECTRICAL	<ul style="list-style-type: none">• 120 - 277V• 10kA SURGE SUPPRESSION STANDARD
DIFFUSERS	<ul style="list-style-type: none">• HIGH EFFICIENCY ACRYLIC
MOUNTING	<ul style="list-style-type: none">• CANOPY OR REMOTE MOUNTED DRIVERS
CONSTRUCTION	<ul style="list-style-type: none">• ALUMINUM
FINISHES	<ul style="list-style-type: none">• AVAILABLE IN SEVERAL TMS POWDER COATED FINISHES• CUSTOM RAL FINISHES AVAILABLE
DIMMING	<ul style="list-style-type: none">• 0 - 10V STANDARD DIMMING (1%)
WEIGHT	<ul style="list-style-type: none">• 56 LBS MAXIMUM



LUNA FUSO™ CEILING



PROJECT: _____

TYPE: _____

QUANTITY: _____

871LU02CL

1 2 3 4 5 6 7

1.	24D			36D			48D			
DIAMETER (L X W)	40" X 24" (102CM X 61CM)			64" X 36" (163CM X 91CM)			84" X 48" (213CM X 122CM)			
LED (W)	66W			103W			127W			
LUMENS	5675			8909			10948			
2.	H		M		L		C: _____ ¹			
OUTPUT	100% LUMENS		75% LUMENS		50% LUMENS		[CUSTOM]% LUMENS			
3.	30K			35K			40K			
LED CCT	3000			3500			4000			
4.	120			277			UNI			
VOLTAGE	120V			277V			120 - 277V			
5.	CD					RM				
DRIVER	CANOPY MOUNT					REMOTE MOUNT				
6.	F04	F05	F09	F15	F16	F18	F21	F31	F33	RAL
FINISH	MATTE WHITE	GLOSS WHITE	PEWTER	MATTE BLACK	GLOSS BLACK	SATIN ALUMINUM	ARCH BRONZE	SILVER METALLIC	PYRITE BRONZE	CUSTOM (SPECIFY)
7.	DIML									
DIMMING	LED DIMMING (0 - 10V, CURRENT - SINKING)									

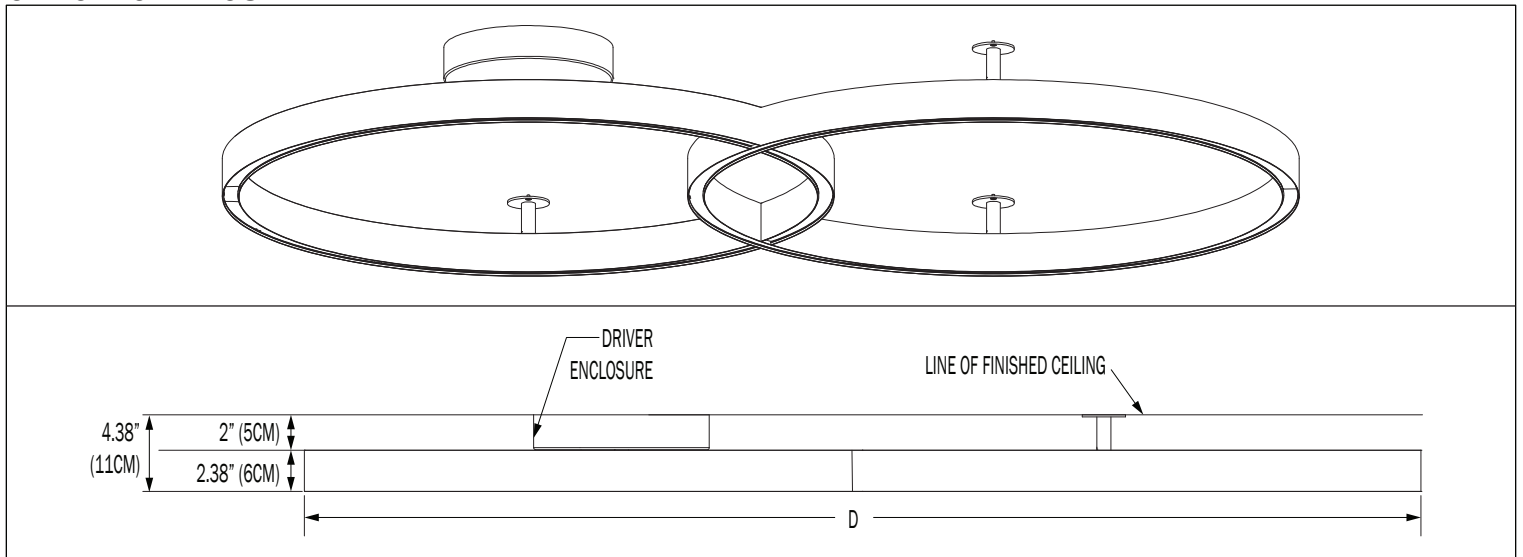
1. CUSTOM PERCENTAGE I.E. 60%. CONSULT FACTORY.

NOTE: SOME OPTIONS MAY NOT BE COMPATIBLE WITH OTHERS. ALL SPECIFICATIONS ARE SUBJECT TO CHANGE WITHOUT NOTICE. CONTACT TMS LIGHTING FOR UPDATED SPECIFICATIONS.

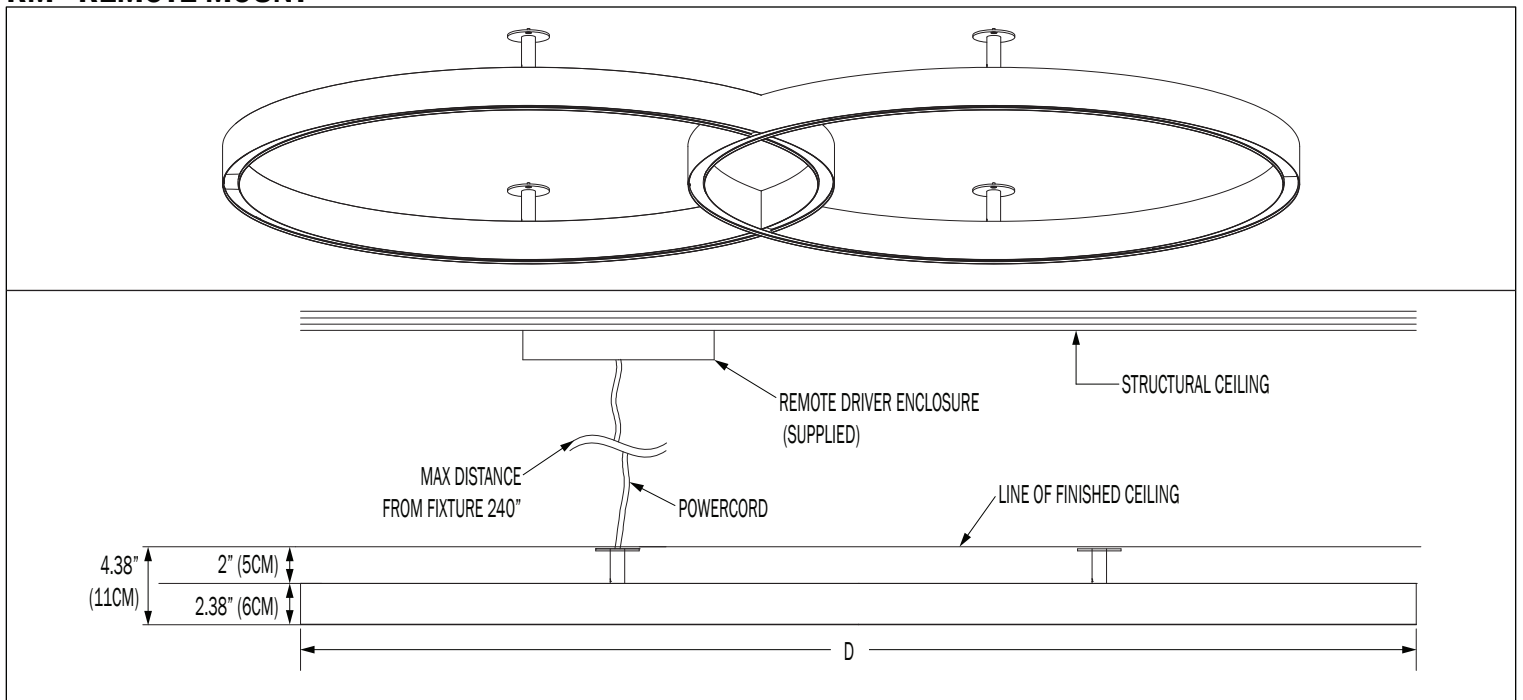
LUNA FUSO™ CEILING

871LU02CL

CD - CANOPY MOUNT



RM - REMOTE MOUNT



LENGTH	SIZE	SECTION	WEIGHT (LBS)
40" (102CM)	24" (61CM)	1	30
64" (163CM)	36" (91CM)	1	40
84" (213CM)	48" (122CM)	1	56

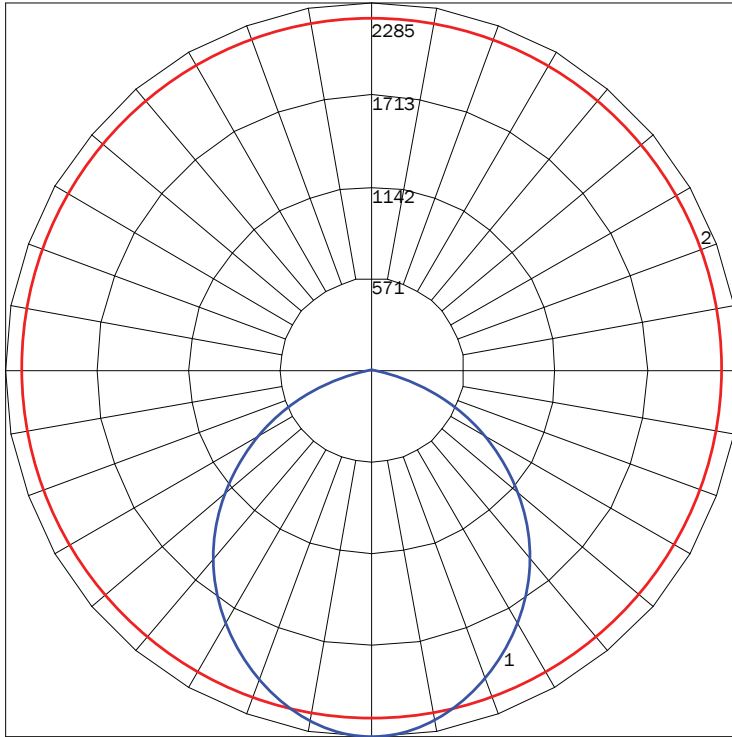
DIRECT

PN	SIZE (DIA)	LUMENS	WATTAGE
871LU02CL	24D	5675	66
	36D	8909	103
	48D	10948	127

IES INDOOR REPORT

PHOTOMETRIC FILENAME : 871LU02CL 24D 35K F05.IES

POLAR GRAPH



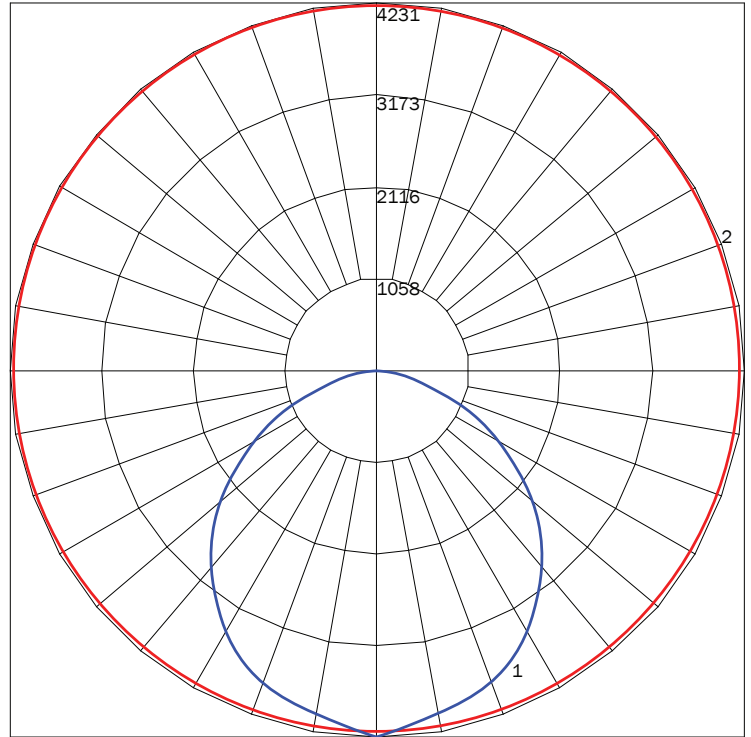
MAXIMUM CANDELA = 2284.64 LOCATED AT HORIZONTAL ANGLE = 0, VERTICAL ANGLE = 5
 # 1 - VERTICAL PLANE THROUGH HORIZONTAL ANGLES (0 - 180) (THROUGH MAX. CD.)
 # 2 - HORIZONTAL CONE THROUGH VERTICAL ANGLE (5) (THROUGH MAX. CD.)

LUMINAIRE LUMENS 5675
TOTAL LUMINAIRE EFFICIENCY 65%
LUMINAIRE EFFICACY RATING 86
TOTAL LUMINAIRE WATTS 66

IES INDOOR REPORT

PHOTOMETRIC FILENAME : 871LU02CL 48D LED 35K F05.IES

POLAR GRAPH



MAXIMUM CANDELA = 4231.16 LOCATED AT HORIZONTAL ANGLE = 0, VERTICAL ANGLE = 0
 # 1 - VERTICAL PLANE THROUGH HORIZONTAL ANGLES (0 - 180) (THROUGH MAX. CD.)
 # 2 - HORIZONTAL CONE THROUGH VERTICAL ANGLE (0) (THROUGH MAX. CD.)

LUMINAIRE LUMENS 10948
TOTAL LUMINAIRE EFFICIENCY 66%
LUMINAIRE EFFICACY RATING 86
TOTAL LUMINAIRE WATTS 127

AVAILABLE FINISHES



F04
MATTE
WHITE



F05
GLOSS
WHITE



F09
PEWTER



F15
MATTE
BLACK



F16
GLOSS
BLACK



F18
SATIN
ALUMINUM



F21
ARCH
BRONZE



F31
SILVER
METALLIC



F33
PYRITE
BRONZE



RAL
CUSTOM
COLOR
(RAL #)

NOTE: DISPLAYED FINISHES DIFFER BETWEEN SCREENS AS WELL AS PRINTERS AND MAY NOT ACCURATELY DEPICT COLOR.