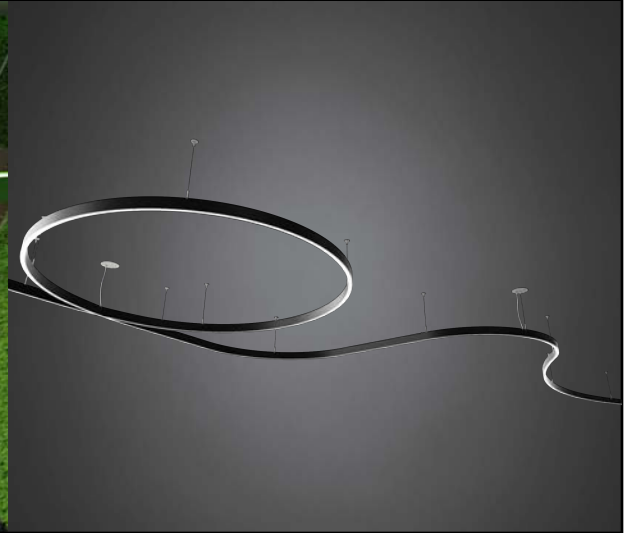


LUNA CURVA™ LINEAR

PROJECT: _____

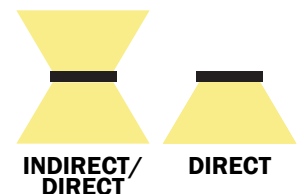
TYPE: _____

QUANTITY: _____



PN: 971LUCU

APPLICATION	<ul style="list-style-type: none"> • DIRECT OR DIRECT/INDIRECT PENDANT MOUNT • INDOOR RATED
DIMENSION	<ul style="list-style-type: none"> • 2 STANDARD SIZES AND CUSTOM CONFIGURATIONS • PROFILE: 1"W X 2.38"H (2.5CM X 6CM)
ILLUMINATION	<ul style="list-style-type: none"> • DIRECT OR INDIRECT/DIRECT • LED 90CRI • 11333 - 31192 LUMENS (CUSTOM SEE PG 4 - 8)
ELECTRICAL	<ul style="list-style-type: none"> • 120 - 277V • 6KV SURGE SUPPRESSION STANDARD
DIFFUSERS	<ul style="list-style-type: none"> • HIGH EFFICIENCY ACRYLIC
MOUNTING	<ul style="list-style-type: none"> • 96" (244CM) BLACK OR WHITE DROP CORD WITH AC CABLES
CONSTRUCTION	<ul style="list-style-type: none"> • ALUMINUM
FINISHES	<ul style="list-style-type: none"> • AVAILABLE IN SEVERAL TMS POWDER COATED FINISHES • CUSTOM RAL FINISHES AVAILABLE
DIMMING	<ul style="list-style-type: none"> • 0 - 10V STANDARD DIMMING • LUTRON DIMMING OPTIONAL
WEIGHT	<ul style="list-style-type: none"> • 28 - 41 LBS (CUSTOM SEE PG 4 - 8)



LUNA CURVA™ LINEAR



PROJECT: _____

TYPE: _____

QUANTITY: _____

971LUCU-

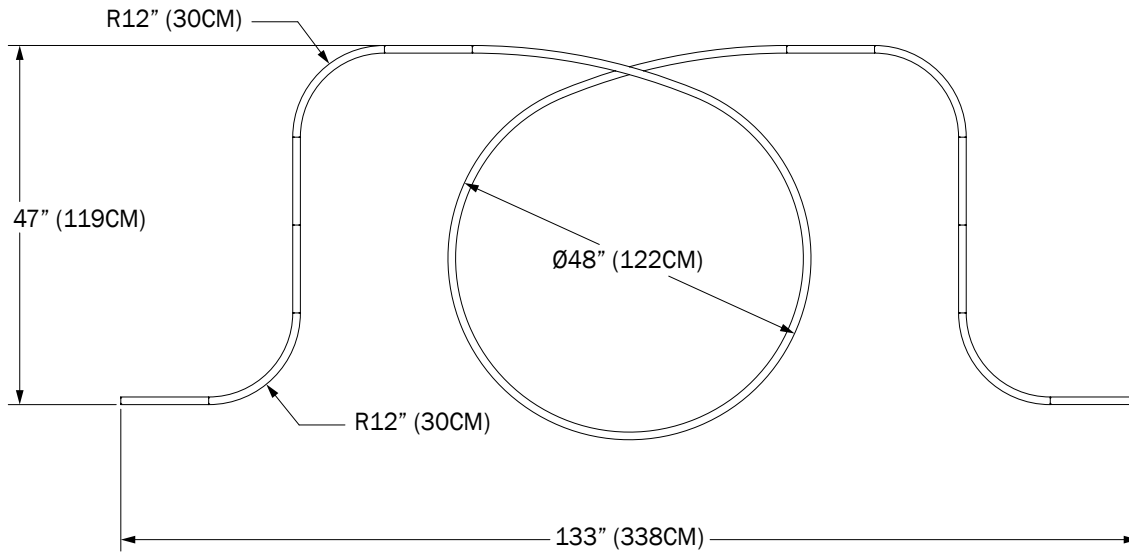
1 2 3 4 5 6 7 8 9

1. DIRECT										
SIZE	4D				6D				CUS	
DMS.	Ø48" - 133"L x 47"W				Ø72 - 185"L x 73"W				CUSTOM (SPECIFY)	
LED (W)	123				234					
LUMEN	11333				21533					
INDIRECT/DIRECT										
SIZE	4ID				6ID				CUS	
DMS.	Ø48" - 133"L x 47"W				Ø72 - 185"L x 73"W				CUSTOM (SPECIFY)	
LED (W)	178				339					
LUMEN	16417				31192					
2.										
OUTPUT	H			M			L		C: _____ ¹	
	100% LUMENS			75% LUMENS			50% LUMENS		[CUSTOM]% LUMENS	
3.										
CCT	30K			35K				40K		
	3000			3500				4000		
4.										
VOLTAGE	120			277				UNI		
	120V			277V				120 - 277V		
5.										
CIRCUITS	S						D			
	SINGLE						DUAL			
6.										
DRIVER	CD						RM			
	CANOPY MOUNT						REMOTE MOUNT			
7.										
CORD	BC						WC			
	BLACK DROP CORD						WHITE DROP CORD			
8.										
FINISH	F04	F05	F09	F15	F16	F18	F21	F31	F33	RAL
	MATTE WHITE	GLOSS WHITE	PEWTER	MATTE BLACK	GLOSS BLACK	SATIN ALUMINUM	ARCH BRONZE	SILVER METALLIC	PYRITE BRONZE	CUSTOM (SPECIFY)
9.										
DIMMING	DIML									
	STANDARD 0 - 10V									

1. CUSTOM PERCENTAGE I.E. 60%. CONSULT AGENT
 2. DIAMETERS LARGER THAN 6FT (1828MM) ARE INCOMPATIBLE WITH LUTRON DIMMING.

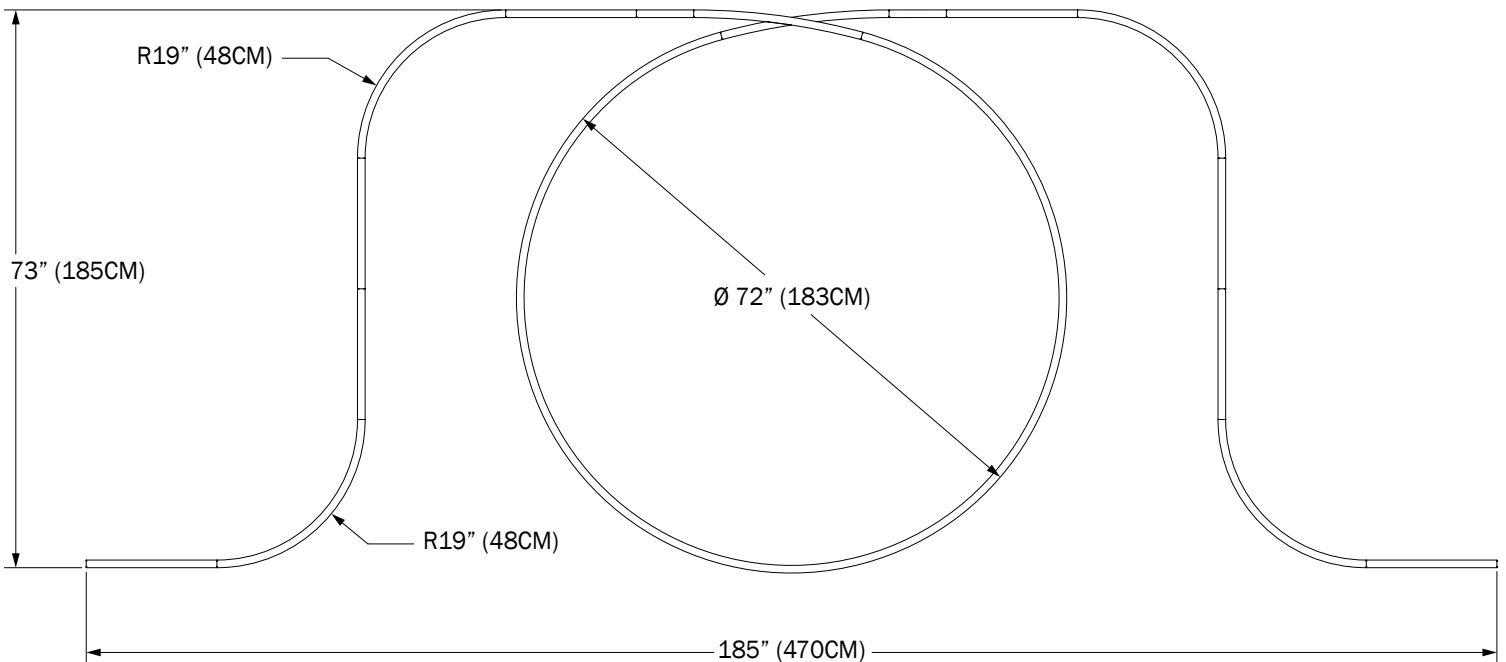
NOTE: SOME OPTIONS MAY NOT BE COMPATIBLE WITH OTHERS. ALL SPECIFICATIONS ARE SUBJECT TO CHANGE WITHOUT NOTICE. CONTACT TMS LIGHTING FOR UPDATED SPECIFICATIONS.

LUNA CURVA STANDARD OPTIONS:



- LUMENS D/ID: 11333 / 16417
- WATTAGE D/ID: 123 / 234
- WEIGHT: 28 LBS

48

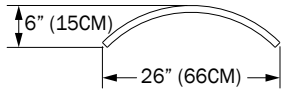


- LUMENS D/ID: 16417 / 31192
- WATTAGE D/ID: 178 / 339
- WEIGHT: 48 LBS

72

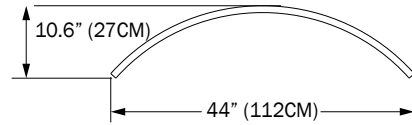
LUNA CURVA™ LINEAR

CURVE SECTION (R):



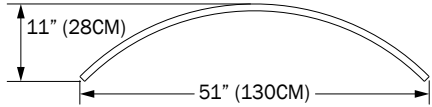
- LUMENS D/ID: 1208 / 2296
- WATTAGE D/ID: 13 / 25
- WEIGHT: 3 LBS

R18



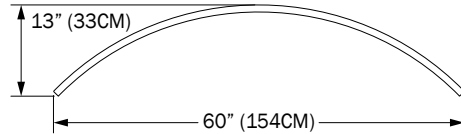
- LUMENS D/ID: 2083 / 3958
- WATTAGE D/ID: 23 / 43
- WEIGHT: 5 LBS

R30



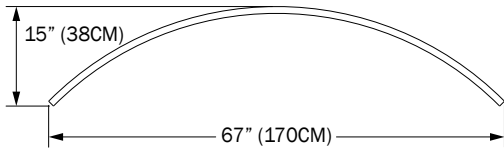
- LUMENS D/ID: 2375 / 4513
- WATTAGE D/ID: 26 / 49
- WEIGHT: 6 LBS

R36



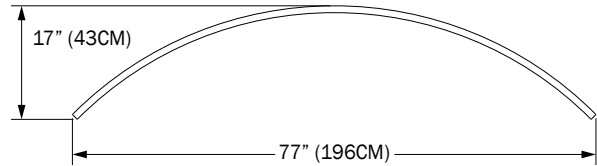
- LUMENS D/ID: 2083 / 3958
- WATTAGE D/ID: 23 / 43
- WEIGHT: 5 LBS

R42



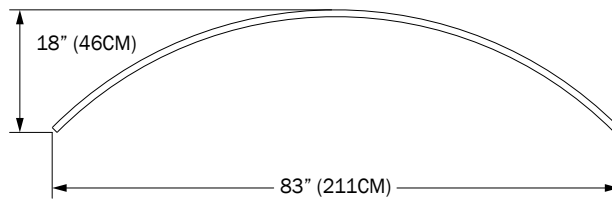
- LUMENS D/ID: 3083 / 5858
- WATTAGE D/ID: 34 / 64
- WEIGHT: 8 LBS

R48



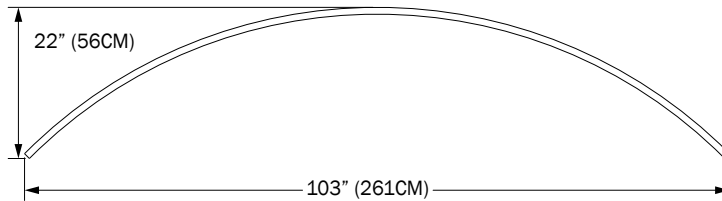
- LUMENS D/ID: 3542 / 6729
- WATTAGE D/ID: 38 / 73
- WEIGHT: 9 LBS

R54



- LUMENS D/ID: 3833 / 7283
- WATTAGE D/ID: 42 / 79
- WEIGHT: 10 LBS

R60



- LUMENS D/ID: 4750 / 9025
- WATTAGE D/ID: 52 / 98
- WEIGHT: 10 LBS

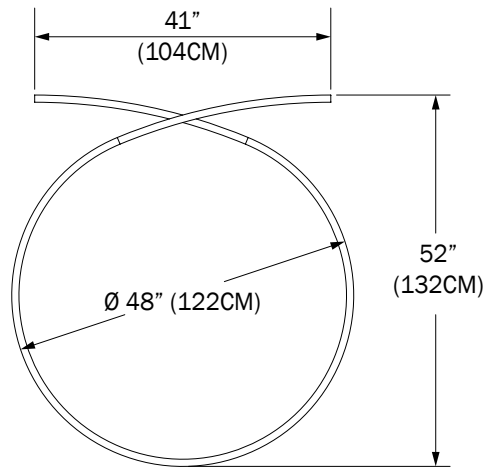
R72



- LUMENS D/ID: 4333 / 8233
- WATTAGE D/ID: 47 / 89
- WEIGHT: 10 LBS

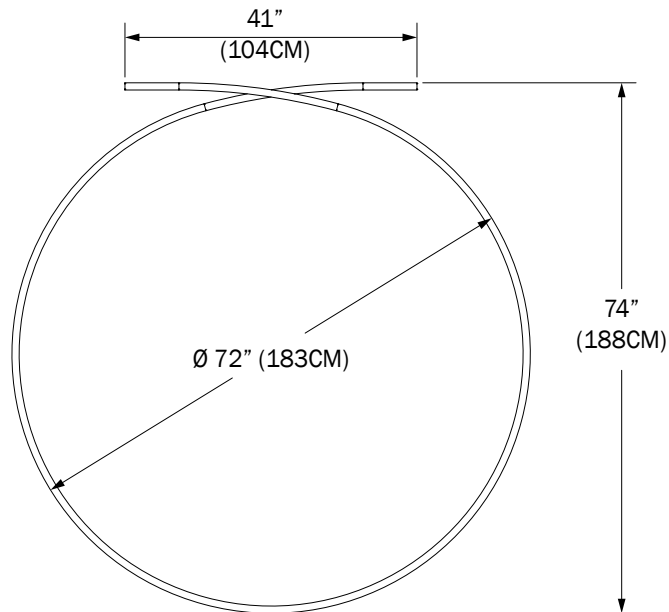
R98

CURVED CROSS CONFIGURATION (CC):



- LUMENS D/ID: 7833 / 14883
- WATTAGE D/ID: 85 / 162
- WEIGHT: 20 LBS

48CC

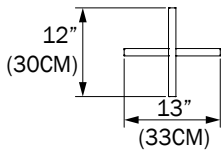


- LUMENS D/ID: 11000 / 20900
- WATTAGE D/ID: 120 / 227
- WEIGHT: 28 LBS

72CC

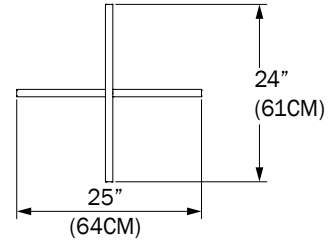
LUNA CURVA™ LINEAR

PLUS CONFIGURATION (P):



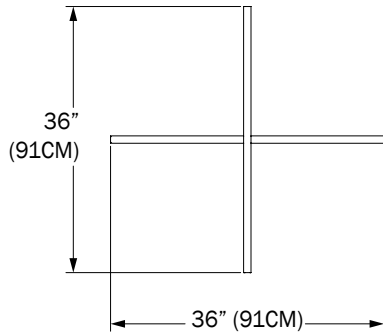
- LUMENS D/ID: 1042 / 1979
- WATTAGE D/ID: 11 / 22
- WEIGHT: 3 LBS

12P



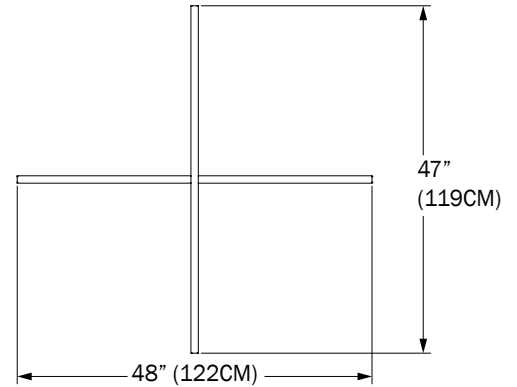
- LUMENS D/ID: 2042 / 3879
- WATTAGE D/ID: 22 / 42
- WEIGHT: 5 LBS

24P



- LUMENS D/ID: 3042 / 5779
- WATTAGE D/ID: 33 / 63
- WEIGHT: 8 LBS

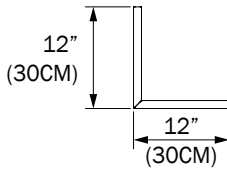
36P



- LUMENS D/ID: 3958 / 7521
- WATTAGE D/ID: 33 / 63
- WEIGHT: 10 LBS

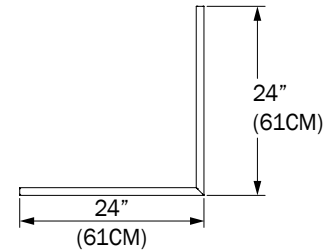
48P

SHARP CORNERS (L):



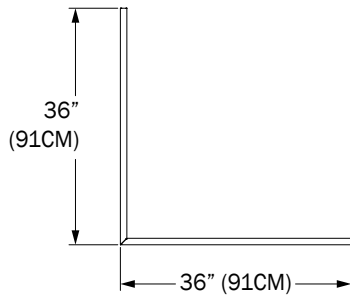
- LUMENS D/ID: 1042 / 1979
- WATTAGE D/ID: 22 / 42
- WEIGHT: 3 LBS

12L



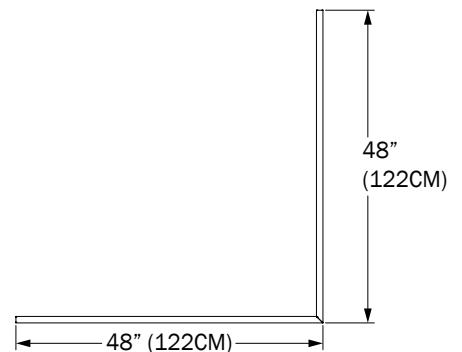
- LUMENS D/ID: 2042 / 3879
- WATTAGE D/ID: 22 / 42
- WEIGHT: 5 LBS

24L



- LUMENS D/ID: 3042 / 5779
- WATTAGE D/ID: 33 / 63
- WEIGHT: 8 LBS

36L

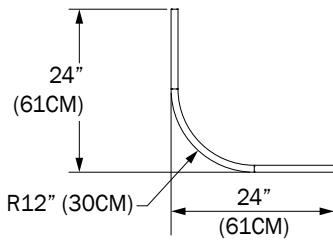


- LUMENS D/ID: 4000 / 7600
- WATTAGE D/ID: 43 / 83
- WEIGHT: 10 LBS

48L

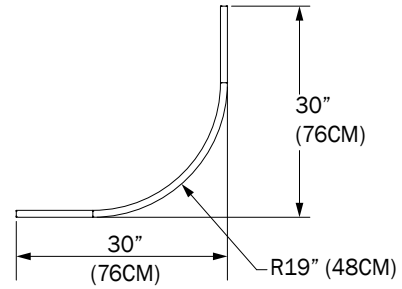
LUNA CURVA™ LINEAR

SOFT CORNER CONFIGURATION (SL):



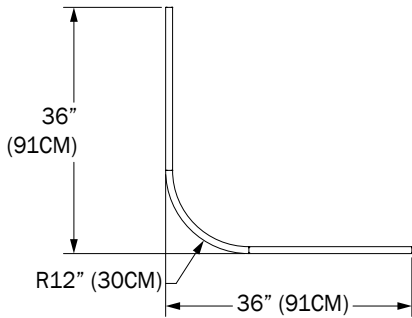
- LUMENS D/ID: 1750 / 3325
- WATTAGE D/ID: 19 / 36
- WEIGHT: 4 LBS

24SL1



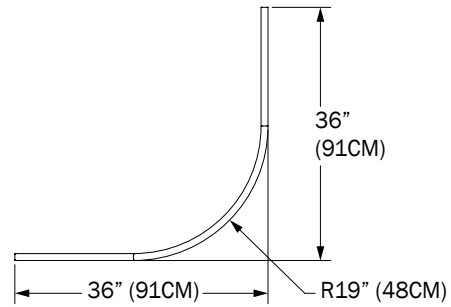
- LUMENS D/ID: 2208 / 4196
- WATTAGE D/ID: 24 / 46
- WEIGHT: 6 LBS

30SL2



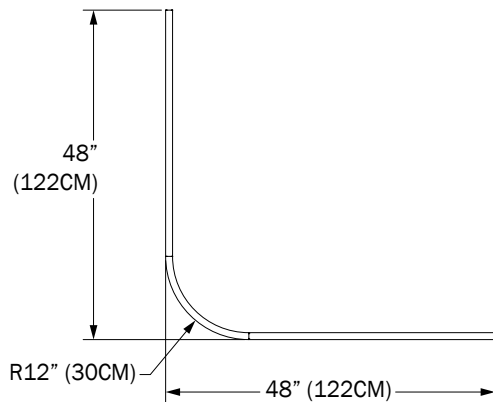
- LUMENS D/ID: 2750 / 5225
- WATTAGE D/ID: 30 / 57
- WEIGHT: 7 LBS

36SL1



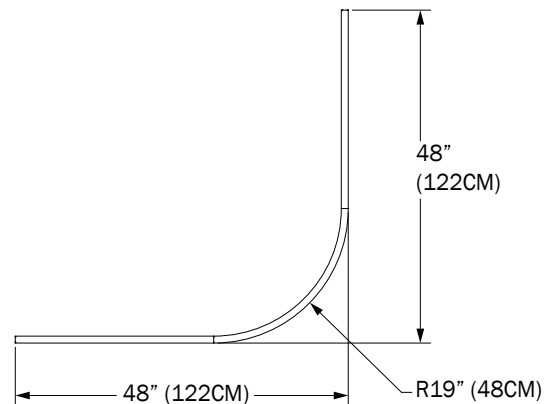
- LUMENS D/ID: 2708 / 5146
- WATTAGE D/ID: 29 / 56
- WEIGHT: 7 LBS

36SL2



- LUMENS D/ID: 3750 / 7125
- WATTAGE D/ID: 41 / 77
- WEIGHT: 9 LBS

48SL1



- LUMENS D/ID: 3667 / 6967
- WATTAGE D/ID: 40 / 76
- WEIGHT: 9 LBS

48SL2

CUSTOM - SECTIONS OVERVIEW

CURVE:

PN	WEIGHT	LUMENS (D/ID)	WATTAGE (D/ID)
R18	3 LBS	1208 / 2296	13 / 25
R30	5 LBS	2083 / 3958	23 / 43
R36	6 LBS	2375 / 4513	26 / 49
R42	7 LBS	2792 / 5304	30 / 58
R48	8 LBS	3083 / 5858	34 / 64
R54	9 LBS	3542 / 6729	38 / 73
R60	10 LBS	3833 / 7283	42 / 79
R72	11 LBS	4333 / 8233	47 / 89
R98	12 LBS	4750 / 9025	52 / 98

PLUS:

PN	WEIGHT	LUMENS (D/ID)	WATTAGE (D/ID)
12P	3 LBS	1042 / 1979	11 / 22
24P	5 LBS	2042 / 3879	22 / 42
36P	8 LBS	3042 / 5779	33 / 63
48P	10 LBS	3958 / 7521	43 / 82

CURVED CROSS:

PN	WEIGHT	LUMENS (D/ID)	WATTAGE (D/ID)
48CC	28 LBS	7833 / 21533	123 / 234
72CC	41 LBS	11000 / 31192	178 / 339

SHARP CORNER:

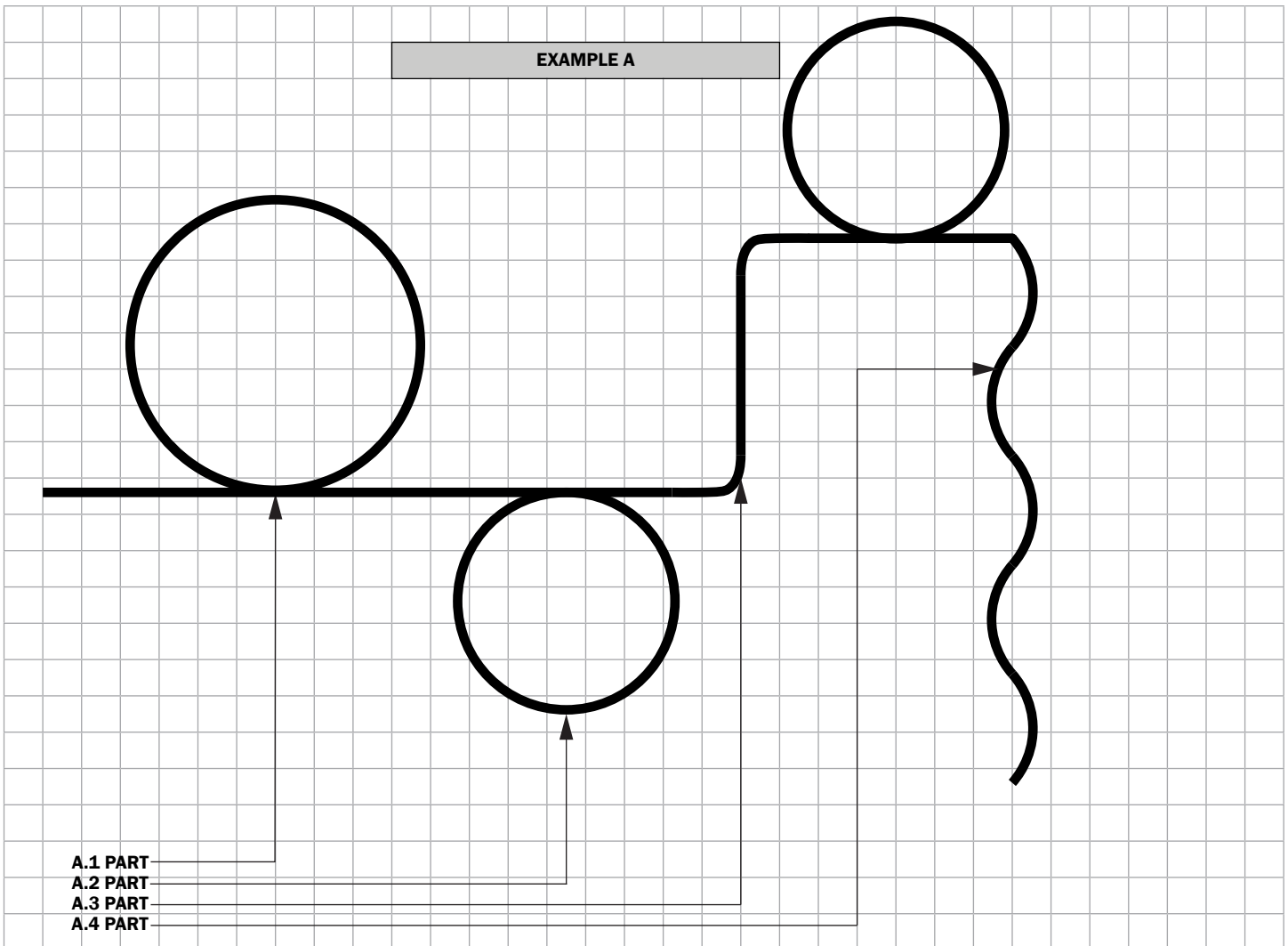
PN	WEIGHT	LUMENS (D/ID)	WATTAGE (D/ID)
12L	3 LBS	1042 / 1979	11 / 22
24L	5 LBS	2042 / 3879	22 / 42
36L	8 LBS	3042 / 5779	33 / 63
48L	10 LBS	4000 / 7600	43 / 83

SOFT CORNER:

PN	WEIGHT	LUMENS (D/ID)	WATTAGE (D/ID)
24SL1	4 LBS	1750 / 3325	19 / 36
36SL1	7 LBS	2750 / 5225	30 / 57
48SL1	9 LBS	3750 / 7125	41 / 77
30SL2	6 LBS	2208 / 4196	24 / 46
36SL2	7 LBS	2708 / 5146	29 / 56
48SL2	9 LBS	3667 / 6967	40 / 76

CUSTOM CONFIGURATION DRAWING IS REQUIRED IF CHOSE CUSTOM, EXAMPLE SKETCH DESIGNS BELOW.

STEPS	EXAMPLE				
CONFIGURE YOUR SECTION PATTERN					
CHOOSE INDICATED DESIRED LENGTHS OF EACH PARTS:	CC	R	P	L	SL
	48 72	18 30 36 42 48 54 60 72 98	12 24 36 48	12 24 36 48	SL1:24 36 48 SL2:24 36 48

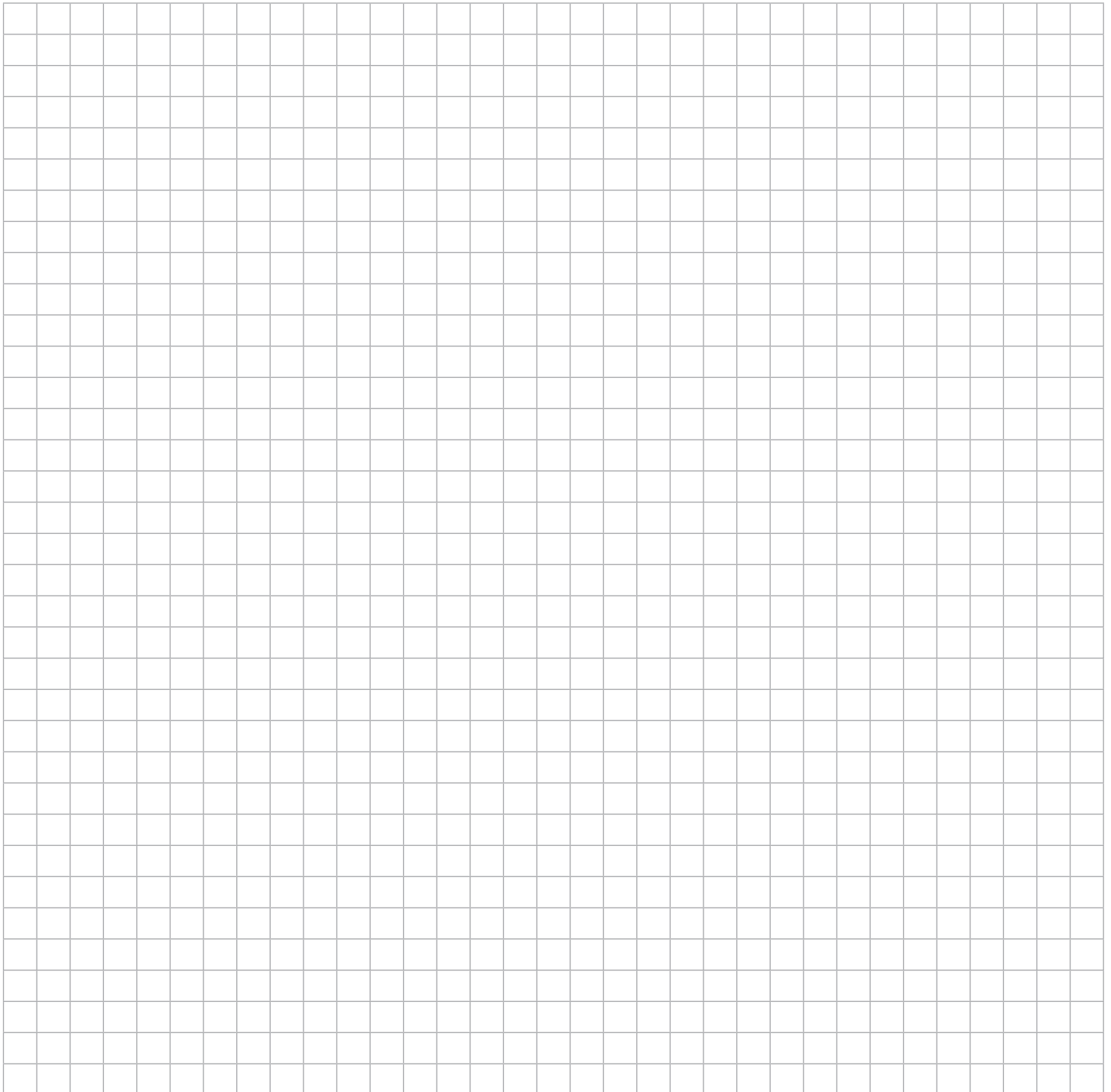


PARTS LENGTH:

- A.1 **CC - 72**
- A.2 **CC - 48**
- A.3 **SL1 - 24**
- A.4 **R - 30**
- A.5

NOTE: MAX LENGTH IS 4FT. CONTACT TMS LIGHTING FOR LENGTH LONGER THAN 4FT.

SKETCH YOUR DESIGN BELOW.



PARTS LENGTH:

- | | | |
|-----------|------------|------------|
| 1. | 6. | 11. |
| 2. | 7. | 12. |
| 3. | 8. | 13. |
| 4. | 9. | 14. |
| 5. | 10. | 15. |

NOTE: REFER TO PAGES 4,5,6, AND 7 FOR SIZES, LUMENS, WATTAGES, AND WEIGHTS

AVAILABLE FINISHES



F04
MATTE
WHITE



F05
GLOSS
WHITE



F09
PEWTER



F15
MATTE
BLACK



F16
GLOSS
BLACK



F18
SATIN
ALUMINUM



F21
ARCH
BRONZE



F31
SILVER
METALLIC



F33
PYRITE
BRONZE



RAL
CUSTOM
COLOR
(RAL #)

NOTE: DISPLAYED FINISHES DIFFER BETWEEN SCREENS AS WELL AS PRINTERS AND MAY NOT ACCURATELY DEPICT COLOR.