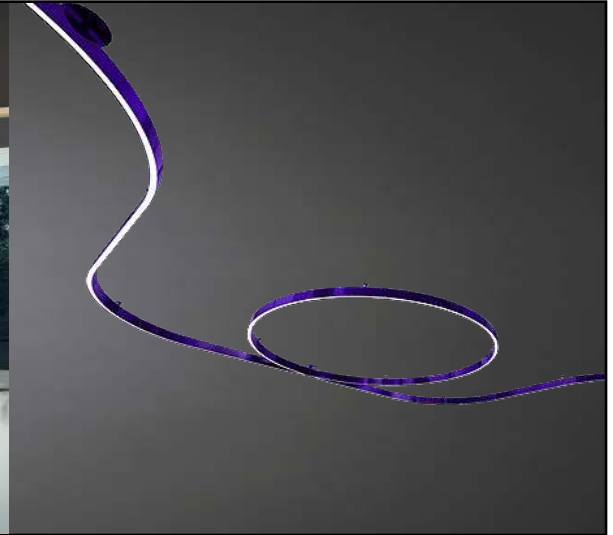


# LUNA CURVA™ CEILING

PROJECT: \_\_\_\_\_

TYPE: \_\_\_\_\_

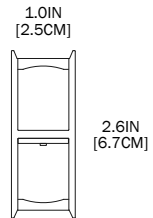
QUANTITY: \_\_\_\_\_



PN: 971LUCUCL

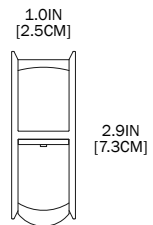
<b>ILLUMINATION</b>	<ul style="list-style-type: none"> <li>• 11,333 - 21,533 LUMENS</li> <li>• DIRECT</li> <li>• LED 90CRI</li> </ul>
<b>APPLICATION</b>	<ul style="list-style-type: none"> <li>• DIRECT CEILING</li> <li>• INDOOR RATED</li> </ul>
<b>DIMENSION</b>	<ul style="list-style-type: none"> <li>• 2 STANDARD SIZES AND CUSTOM CONFIGURATIONS</li> <li>• PROFILE: 1"W X 2.625"H (2.54cm X 6.7cm)</li> </ul>
<b>ELECTRICAL</b>	<ul style="list-style-type: none"> <li>• 120 - 277V</li> <li>• 10KV SURGE SUPPRESSION</li> </ul>
<b>DIFFUSERS</b>	<ul style="list-style-type: none"> <li>• HIGH EFFICIENCY ACRYLIC</li> </ul>
<b>MOUNTING</b>	<ul style="list-style-type: none"> <li>• CANOPY OR REMOTE MOUNT</li> </ul>
<b>CONSTRUCTION</b>	<ul style="list-style-type: none"> <li>• ALUMINUM</li> </ul>
<b>FINISHES</b>	<ul style="list-style-type: none"> <li>• AVAILABLE IN SEVERAL TMS POWDER COATED FINISHES</li> <li>• CUSTOM RAL FINISHES AVAILABLE</li> </ul>
<b>DIMMING</b>	<ul style="list-style-type: none"> <li>• 0 - 10V DIMMING (1%)(120-277V)</li> <li>• LINE VOLTAGE/TRIAC/ELV (120V ONLY)</li> </ul>
<b>WEIGHT</b>	<ul style="list-style-type: none"> <li>• 28 LBS MINIMUM, 41 LBS MAXIMUM (CUSTOM SEE PG 4-8)</li> </ul>

## FLAT DIFFUSER



DIRECT ONLY

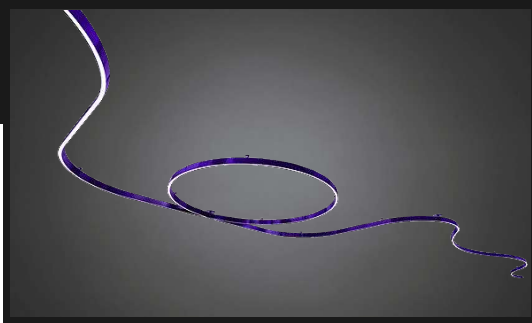
## DOM DIFFUSER



DIRECT ONLY



# LUNA CURVA™ CEILING



PROJECT: \_\_\_\_\_  
 TYPE: \_\_\_\_\_  
 QUANTITY: \_\_\_\_\_

## 971LUCUCL

1      2      3      4      5      6      7

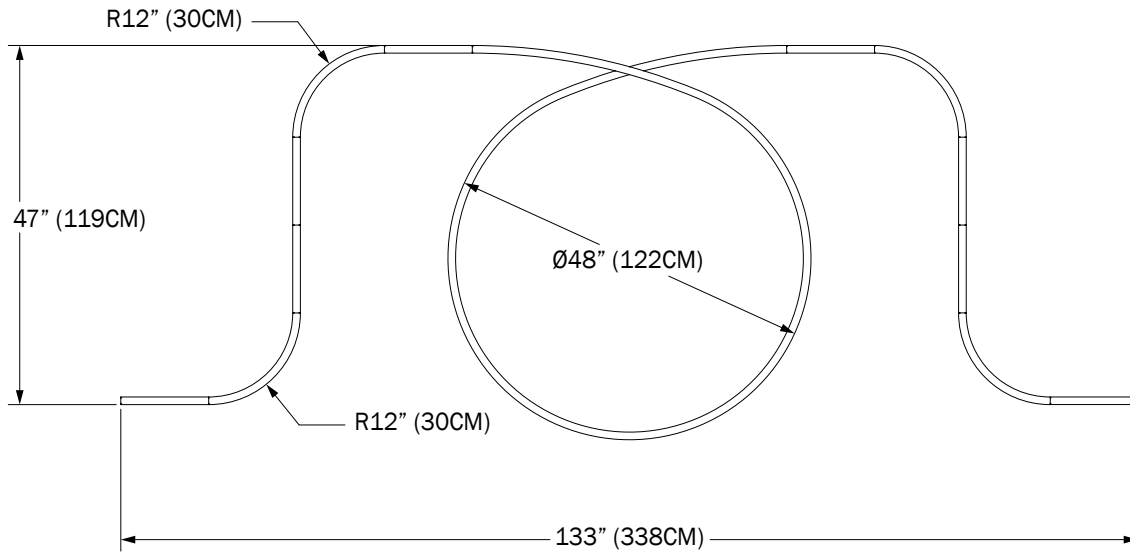
1.	4D	6D		CUS						
SIZE	Ø48" - 133"L x 47"W	Ø72 - 185"L x 73"W		CUSTOM (SPECIFY)						
LED (W)	123	234								
LUMEN	11333	21533								
2.	H	M	L	C: _____ <sup>1</sup>						
OUTPUT	100% LUMENS	75% LUMENS	50% LUMENS	[CUSTOM]% LUMENS						
3.	30K		35K		40K					
CCT	3000		3500		4000					
4.	CD			RM						
DRIVER	CANOPY MOUNT			REMOTE MOUNT						
5.	FLAT			DOM						
DIFFUSER	FLAT DIFFUSER			DOME DIFFUSER						
6.	ADDITIONAL AND PREMIUM FINISHES AVAILABLE. SEE FINISHES CHART			F04	F05	F15	F16	F09	F31	F18
FINISH				MATTE WHITE	GLOSS WHITE	MATTE BLACK	GLOSS BLACK	PEWTER	SILVER METALLIC	SATIN ALUMINUM
7.	DIML			DIMV						
DIMMING	0-10V (1%)(120-277V)			LINE VOLTAGE/TRIAC/ELV (1%)(120V ONLY)						

1. CUSTOM PERCENTAGE I.E. 60%. CONSULT AGENT  
 2. DIAMETERS LARGER THAN 6FT (1828MM) ARE INCOMPATIBLE WITH LUTRON DIMMING.

NOTE: SOME OPTIONS MAY NOT BE COMPATIBLE WITH OTHERS. ALL SPECIFICATIONS ARE SUBJECT TO CHANGE WITHOUT NOTICE. CONTACT TMS LIGHTING FOR UPDATED SPECIFICATIONS.

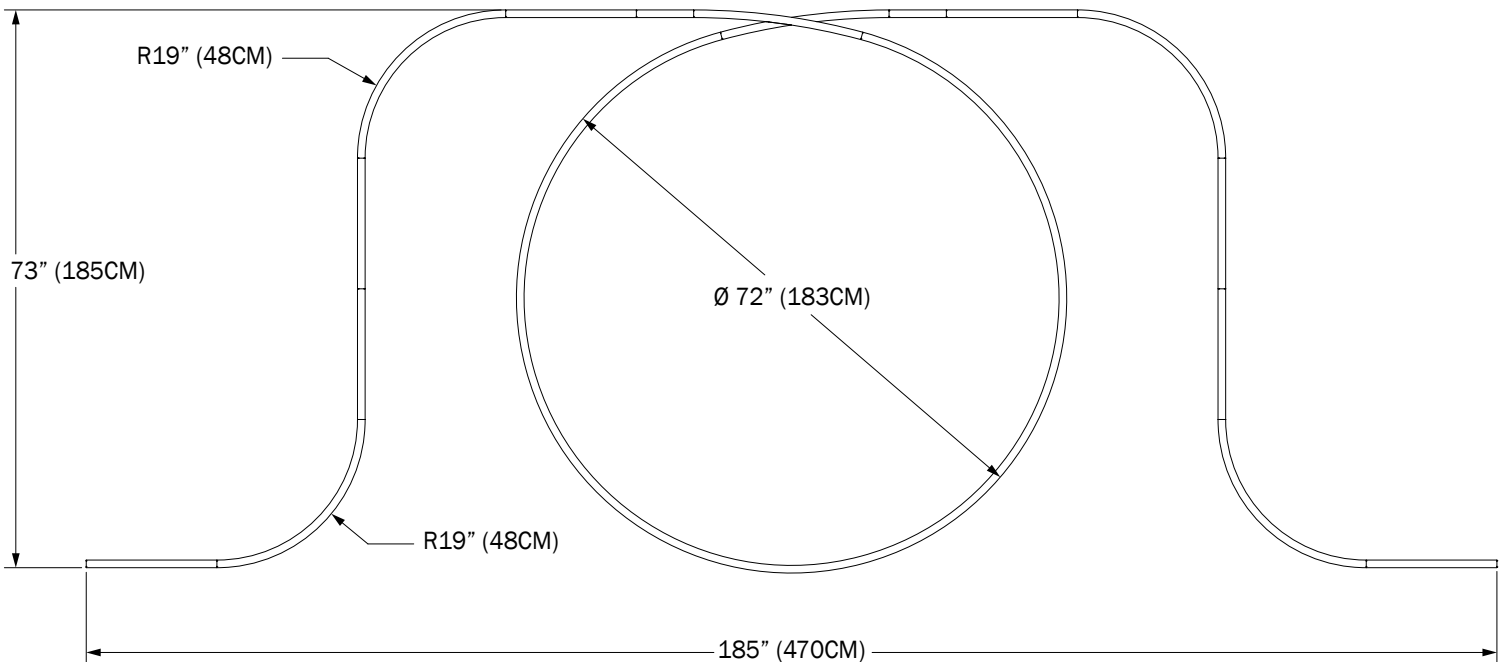
# LUNA CURVA™ CEILING

## LUNA CURVA STANDARD OPTIONS:



- LUMENS: 11333
- WATTAGE: 123
- WEIGHT: 28 LBS

48

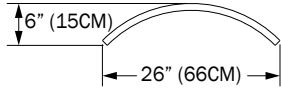


- LUMENS: 16417
- WATTAGE: 178
- WEIGHT: 48 LBS

72

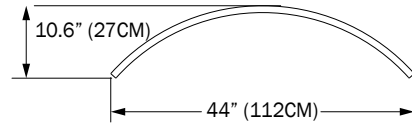
# LUNA CURVA™ CEILING

## CURVE SECTION (R):



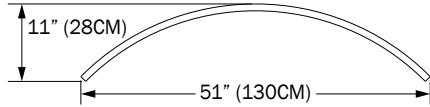
- LUMENS: 1208
- WATTAGE: 13
- WEIGHT: 3 LBS

**R18**



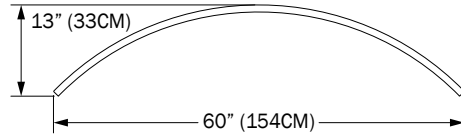
- LUMENS: 2083
- WATTAGE: 23
- WEIGHT: 5 LBS

**R30**



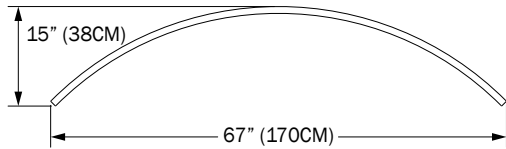
- LUMENS: 2375
- WATTAGE: 26
- WEIGHT: 6 LBS

**R36**



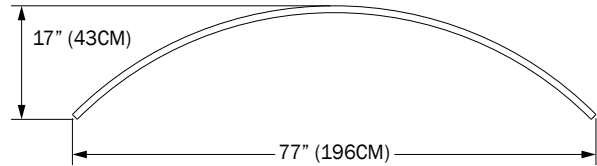
- LUMENS: 2083
- WATTAGE: 23
- WEIGHT: 5 LBS

**R42**



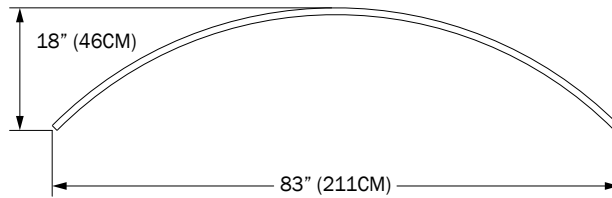
- LUMENS: 3083
- WATTAGE: 34
- WEIGHT: 8 LBS

**R48**



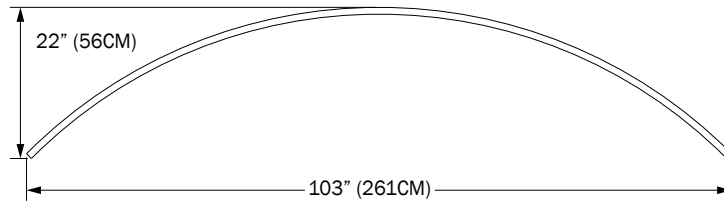
- LUMENS: 3542
- WATTAGE: 38
- WEIGHT: 9 LBS

**R54**



- LUMENS: 3833
- WATTAGE: 42
- WEIGHT: 10 LBS

**R60**



- LUMENS: 4750
- WATTAGE: 52
- WEIGHT: 10 LBS

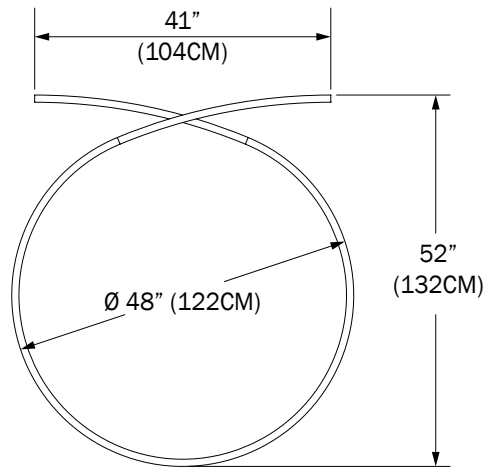
**R72**



- LUMENS: 4333
- WATTAGE: 47
- WEIGHT: 10 LBS

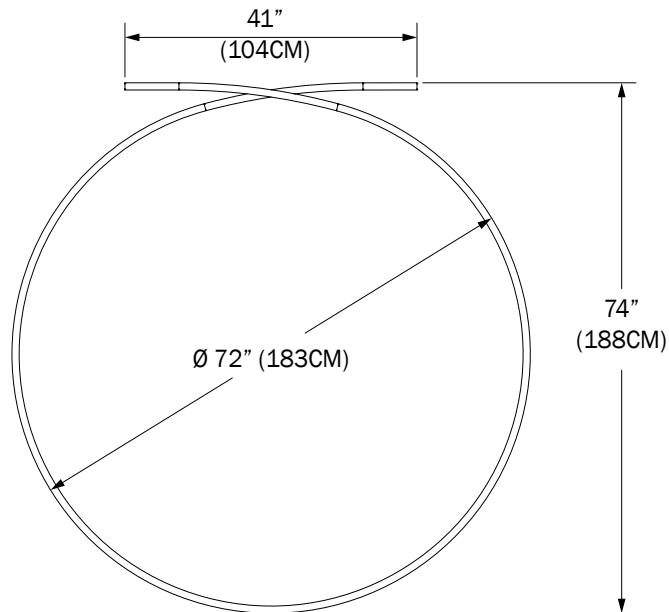
**R98**

## **CURVED CROSS CONFIGURATION (CC):**



- LUMENS: 7833
- WATTAGE: 85
- WEIGHT: 20 LBS

**48CC**

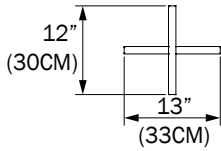


- LUMENS: 11000
- WATTAGE: 120
- WEIGHT: 28 LBS

**72CC**

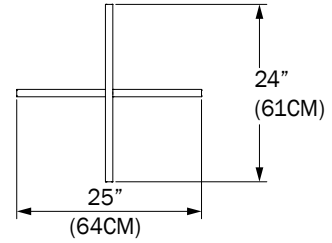
# LUNA CURVA™ CEILING

## PLUS CONFIGURATION (P):



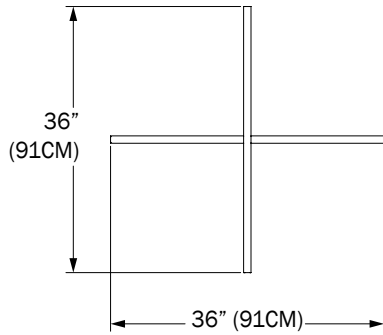
- LUMENS: 1042
- WATTAGE: 11
- WEIGHT: 3 LBS

**12P**



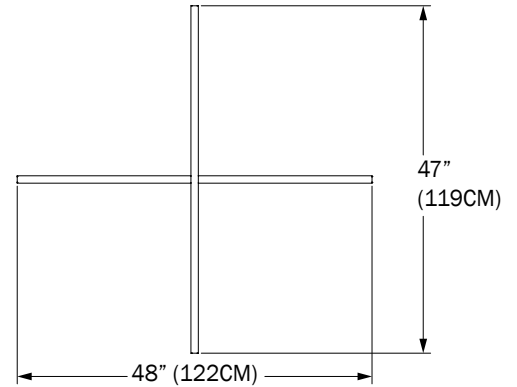
- LUMENS: 2042
- WATTAGE: 22
- WEIGHT: 5 LBS

**24P**



- LUMENS: 3042
- WATTAGE: 33
- WEIGHT: 8 LBS

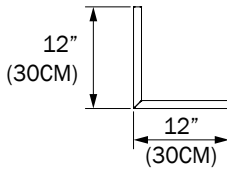
**36P**



- LUMENS: 3958
- WATTAGE: 33
- WEIGHT: 10 LBS

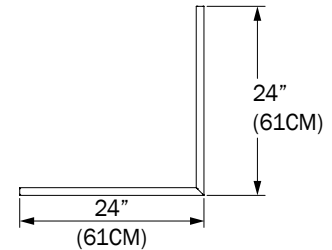
**48P**

## SHARP CORNERS (L):



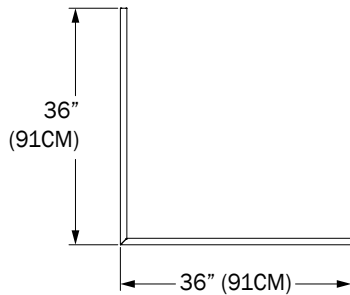
- LUMENS: 1042
- WATTAGE: 22
- WEIGHT: 3 LBS

**12L**



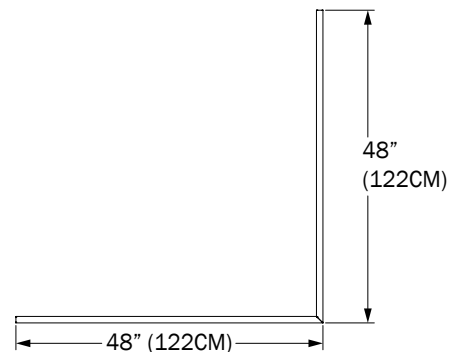
- LUMENS: 2042
- WATTAGE: 22
- WEIGHT: 5 LBS

**24L**



- LUMENS: 3042
- WATTAGE: 33
- WEIGHT: 8 LBS

**36L**

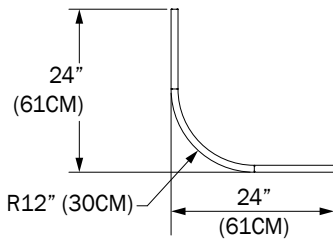


- LUMENS: 4000
- WATTAGE: 43
- WEIGHT: 10 LBS

**48L**

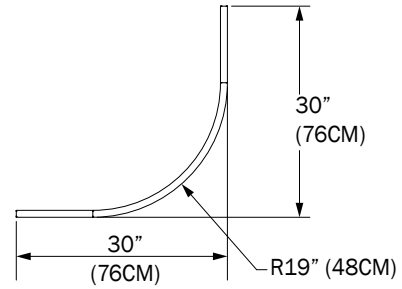
# LUNA CURVA™ CEILING

## SOFT CORNER CONFIGURATION (SL):



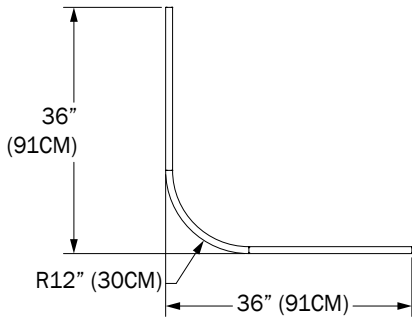
- LUMENS: 1750
- WATTAGE: 19
- WEIGHT: 4 LBS

**24SL1**



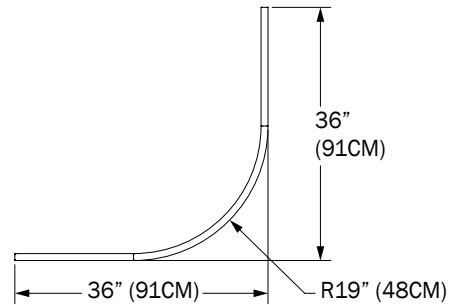
- LUMENS: 2208
- WATTAGE: 24
- WEIGHT: 6 LBS

**30SL2**



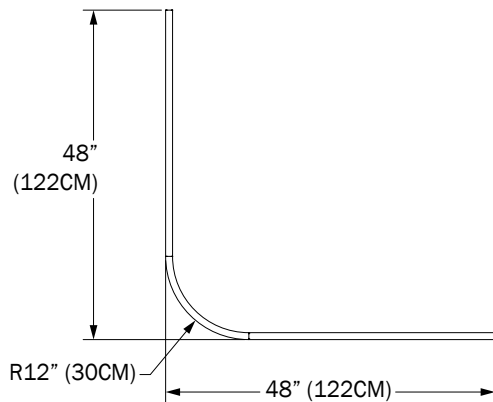
- LUMENS: 2750
- WATTAGE: 30
- WEIGHT: 7 LBS

**36SL1**



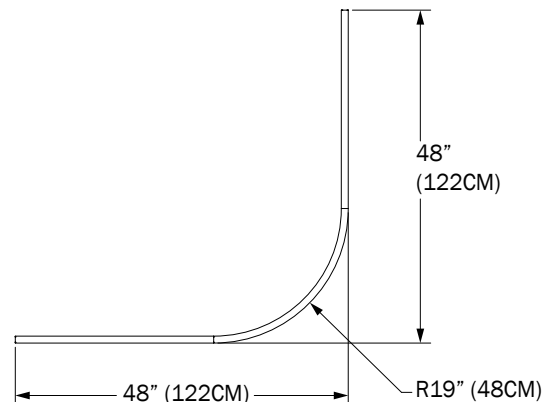
- LUMENS: 2708
- WATTAGE: 29
- WEIGHT: 7 LBS

**36SL2**



- LUMENS: 3750
- WATTAGE: 41
- WEIGHT: 9 LBS

**48SL1**



- LUMENS: 3667
- WATTAGE: 40
- WEIGHT: 9 LBS

**48SL2**

## CUSTOM - SECTIONS OVERVIEW

### CURVE:

PN	WEIGHT	LUMENS	WATTAGE
R18	3 LBS	1208	13
R30	5 LBS	2083	23
R36	6 LBS	2375	26
R42	7 LBS	2792	30
R48	8 LBS	3083	34
R54	9 LBS	3542	38
R60	10 LBS	3833	42
R72	11 LBS	4333	47
R98	12 LBS	4750	52

### PLUS:

PN	WEIGHT	LUMENS	WATTAGE
12P	3 LBS	1042	11
24P	5 LBS	2042	22
36P	8 LBS	3042	33
48P	10 LBS	3958	43

### CURVED CROSS:

PN	WEIGHT	LUMENS	WATTAGE
48CC	28 LBS	7833	123
72CC	41 LBS	11000	178

### SHARP CORNER:

PN	WEIGHT	LUMENS	WATTAGE
12L	3 LBS	1042	11
24L	5 LBS	2042	22
36L	8 LBS	3042	33
48L	10 LBS	4000	43

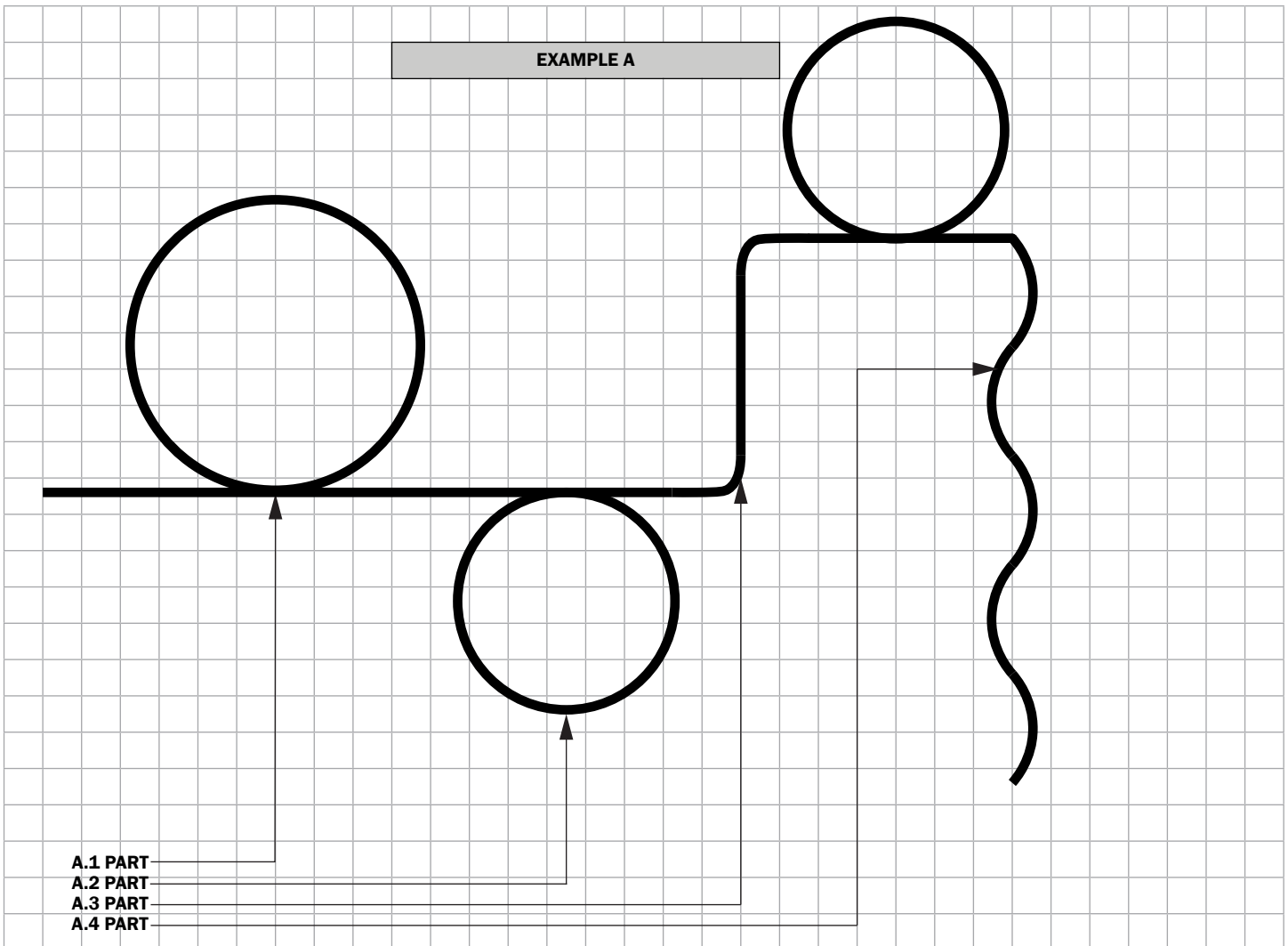
### SOFT CORNER:

PN	WEIGHT	LUMENS	WATTAGE
24SL1	4 LBS	1750	19
36SL1	7 LBS	2750	30
48SL1	9 LBS	3750	41
30SL2	6 LBS	2208	24
36SL2	7 LBS	2708	29
48SL2	9 LBS	3667	40



**CUSTOM CONFIGURATION DRAWING IS REQUIRED IF CHOSE CUSTOM, EXAMPLE SKETCH DESIGNS BELOW.**

STEPS	EXAMPLE				
CONFIGURE YOUR SECTION PATTERN					
CHOOSE INDICATED DESIRED LENGTHS OF EACH PARTS:	CC	R	P	L	SL
	48 72	18 30 36 42 48 54 60 72 98	12 24 36 48	12 24 36 48	SL1:24 36 48 SL2:24 36 48

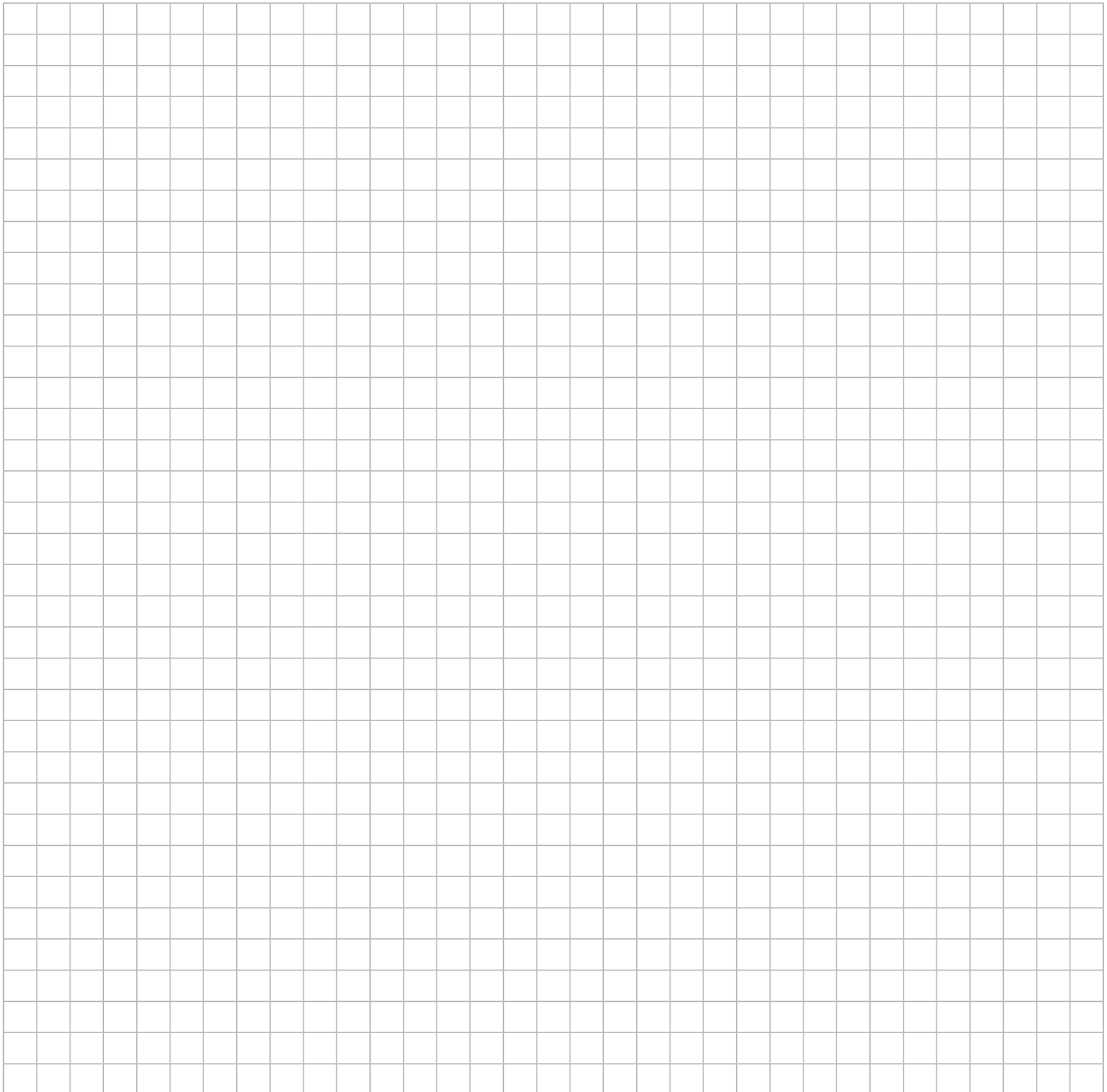


**PARTS LENGTH:**

- A.1 **CC - 72**
- A.2 **CC - 48**
- A.3 **SL1 - 24**
- A.4 **R - 30**
- A.5

NOTE: MAX LENGTH IS 4FT. CONTACT TMS LIGHTING FOR LENGTH LONGER THAN 4FT.

**SKETCH YOUR DESIGN BELOW.**



**PARTS LENGTH:**

- |           |            |            |
|-----------|------------|------------|
| <b>1.</b> | <b>6.</b>  | <b>11.</b> |
| <b>2.</b> | <b>7.</b>  | <b>12.</b> |
| <b>3.</b> | <b>8.</b>  | <b>13.</b> |
| <b>4.</b> | <b>9.</b>  | <b>14.</b> |
| <b>5.</b> | <b>10.</b> | <b>15.</b> |

NOTE: REFER TO PAGES 4,5,6, AND 7 FOR SIZES, LUMENS, WATTAGES, AND WEIGHTS

# LUNA CURVA™ CEILING

## FINISHES



## PREMIUM FINISHES



NOTE: DISPLAYED FINISHES DIFFER BETWEEN SCREENS AS WELL AS PRINTERS AND MAY NOT ACCURATELY DEPICT COLOR.