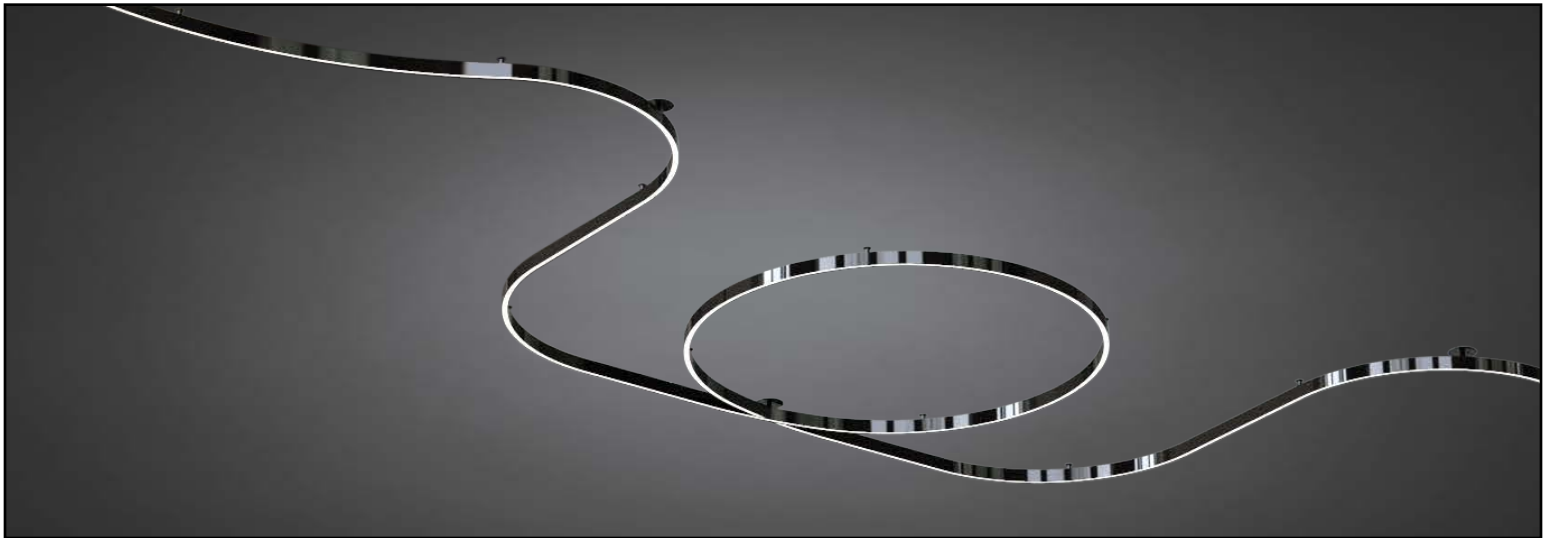


LUNA CURVA™ CEILING

PROJECT: _____

TYPE: _____

QUANTITY: _____



PN: 971LUCUCL

APPLICATION	<ul style="list-style-type: none">• DIRECT CEILING MOUNT• INDOOR RATED
DIMENSION	<ul style="list-style-type: none">• 2 STANDARD SIZES AND CUSTOM CONFIGURATIONS• PROFILE: 1"W X 2.38"H (2.5CM X 6CM)
ILLUMINATION	<ul style="list-style-type: none">• DIRECT• LED 90CRI• 11333 - 21533 LUMENS (CUSTOM SEE PG 4 - 8)
ELECTRICAL	<ul style="list-style-type: none">• 120 - 277V• 6KV SURGE SUPPRESSION STANDARD
DIFFUSERS	<ul style="list-style-type: none">• HIGH EFFICIENCY ACRYLIC
MOUNTING	<ul style="list-style-type: none">• CANOPY OR REMOTE MOUNTED DRIVERS
CONSTRUCTION	<ul style="list-style-type: none">• ALUMINUM
FINISHES	<ul style="list-style-type: none">• AVAILABLE IN SEVERAL TMS POWDER COATED FINISHES• CUSTOM RAL FINISHES AVAILABLE
DIMMING	<ul style="list-style-type: none">• 0 - 10V STANDARD DIMMING• LUTRON DIMMING OPTIONAL
WEIGHT	<ul style="list-style-type: none">• 28 - 41 LBS (CUSTOM SEE PG 4 - 8)



LUNA CURVA™ CEILING



PROJECT: _____

TYPE: _____

QUANTITY: _____

971LUCUCL

1 2 3 4 5 6 7

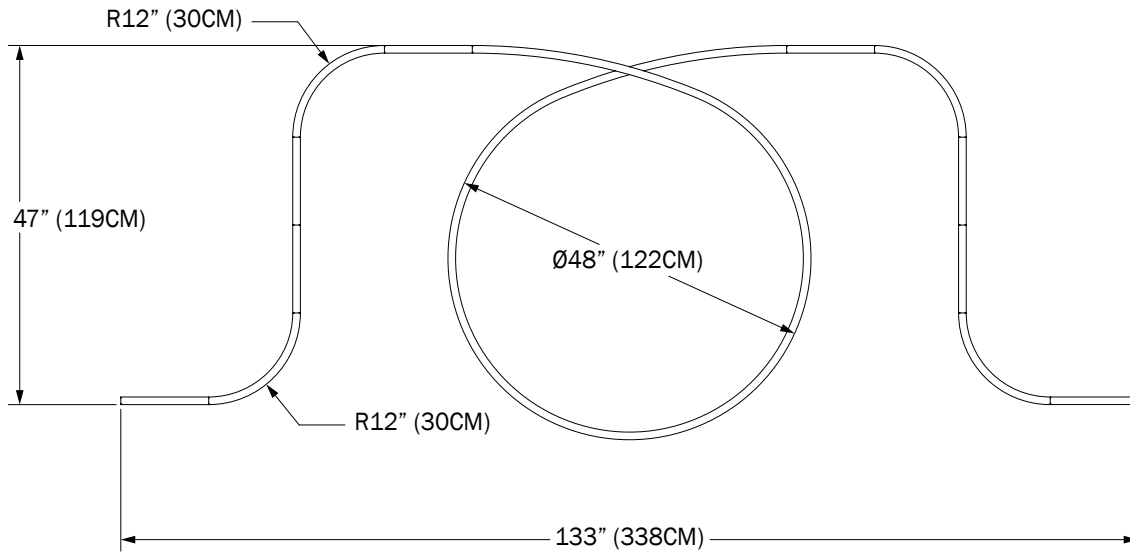
1.	4D			6D			CUS			
SIZE	Ø48" - 133"L x 47"W			Ø72 - 185"L x 73"W			CUSTOM (SPECIFY)			
LED (W)	123			234						
LUMEN	11333			21533						
2.	H		M		L		C: _____ ¹			
OUTPUT	100% LUMENS		75% LUMENS		50% LUMENS		[CUSTOM]% LUMENS			
3.	30K			35K			40K			
CCT	3000			3500			4000			
4.	120			277			UNI			
VOLTAGE	120V			277V			120 - 277V			
5.	CD					RM				
DRIVER	CANOPY MOUNT					REMOTE MOUNT				
6.	F04	F05	F09	F15	F16	F18	F21	F31	F33	RAL
FINISH	MATTE WHITE	GLOSS WHITE	PEWTER	MATTE BLACK	GLOSS BLACK	SATIN ALUMINUM	ARCH BRONZE	SILVER METALLIC	PYRITE BRONZE	CUSTOM (SPECIFY)
7.	DIML					DIME				
DIMMING	STANDARD 0 - 10V					LUTRON DIMMING (1%)				

1. CUSTOM PERCENTAGE I.E. 60%. CONSULT AGENT
 2. DIAMETERS LARGER THAN 6FT (1828MM) ARE INCOMPATIBLE WITH LUTRON DIMMING.

NOTE: SOME OPTIONS MAY NOT BE COMPATIBLE WITH OTHERS. ALL SPECIFICATIONS ARE SUBJECT TO CHANGE WITHOUT NOTICE. CONTACT TMS LIGHTING FOR UPDATED SPECIFICATIONS.

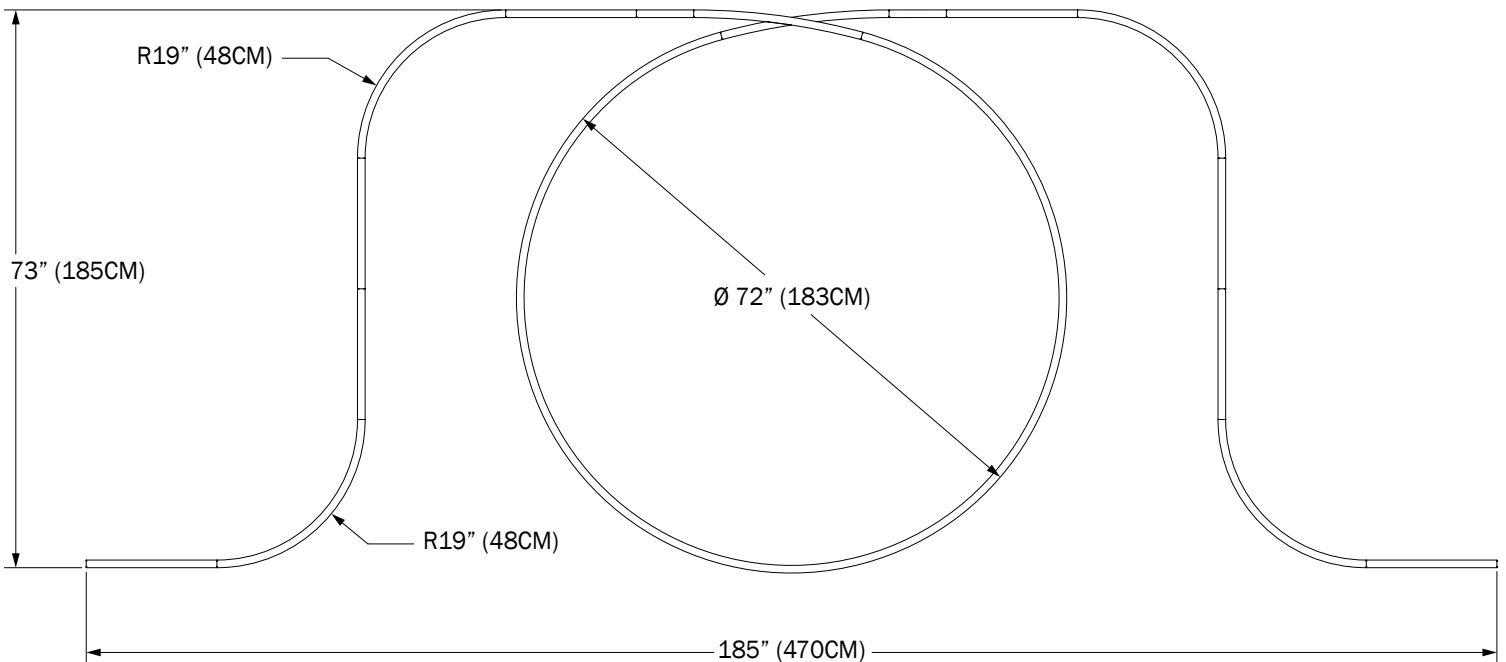
LUNA CURVA™ CEILING

LUNA CURVA STANDARD OPTIONS:



- LUMENS: 11333
- WATTAGE: 123
- WEIGHT: 28 LBS

48

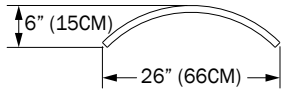


- LUMENS: 16417
- WATTAGE: 178
- WEIGHT: 48 LBS

72

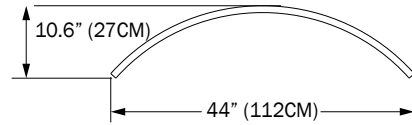
LUNA CURVA™ CEILING

CURVE SECTION (R):



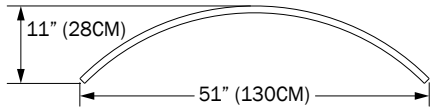
- LUMENS: 1208
- WATTAGE: 13
- WEIGHT: 3 LBS

R18



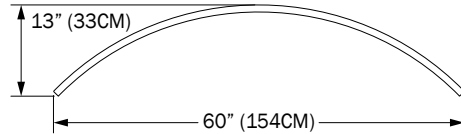
- LUMENS: 2083
- WATTAGE: 23
- WEIGHT: 5 LBS

R30



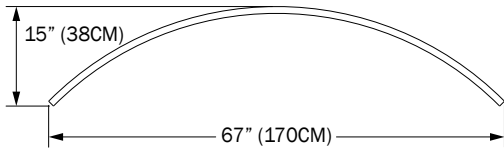
- LUMENS: 2375
- WATTAGE: 26
- WEIGHT: 6 LBS

R36



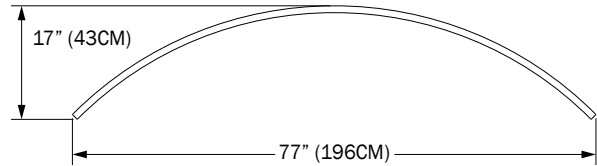
- LUMENS: 2083
- WATTAGE: 23
- WEIGHT: 5 LBS

R42



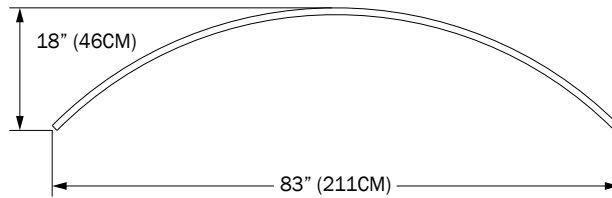
- LUMENS: 3083
- WATTAGE: 34
- WEIGHT: 8 LBS

R48



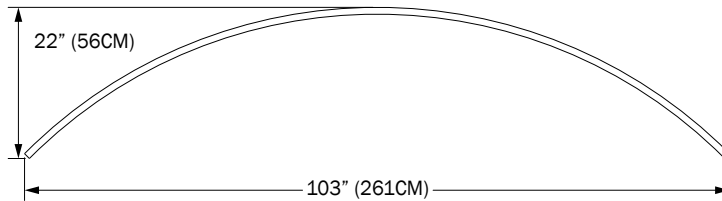
- LUMENS: 3542
- WATTAGE: 38
- WEIGHT: 9 LBS

R54



- LUMENS: 3833
- WATTAGE: 42
- WEIGHT: 10 LBS

R60



- LUMENS: 4750
- WATTAGE: 52
- WEIGHT: 10 LBS

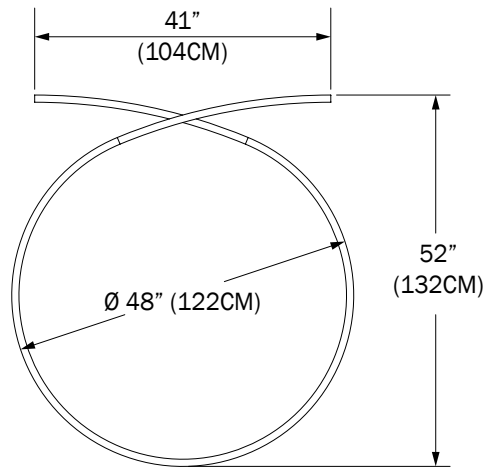
R72



- LUMENS: 4333
- WATTAGE: 47
- WEIGHT: 10 LBS

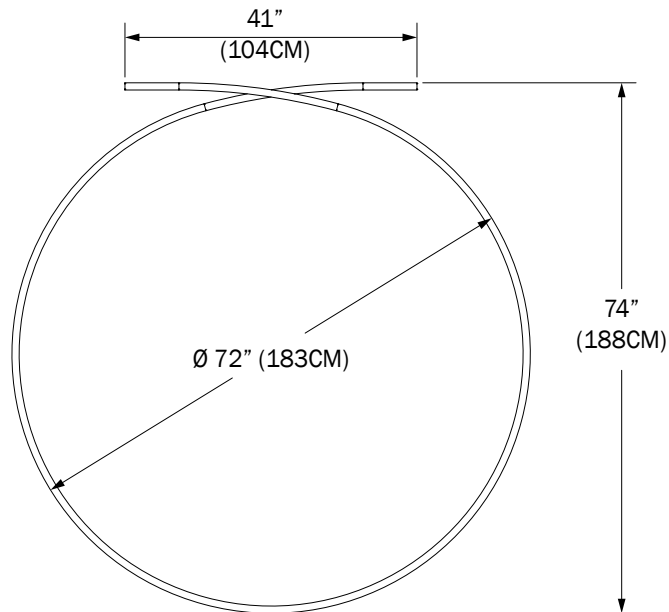
R98

CURVED CROSS CONFIGURATION (CC):



- LUMENS: 7833
- WATTAGE: 85
- WEIGHT: 20 LBS

48CC

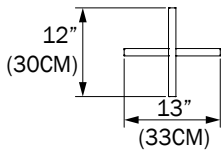


- LUMENS: 11000
- WATTAGE: 120
- WEIGHT: 28 LBS

72CC

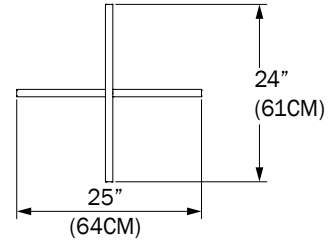
LUNA CURVA™ CEILING

PLUS CONFIGURATION (P):



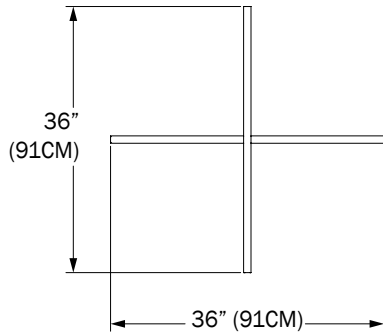
- LUMENS: 1042
- WATTAGE: 11
- WEIGHT: 3 LBS

12P



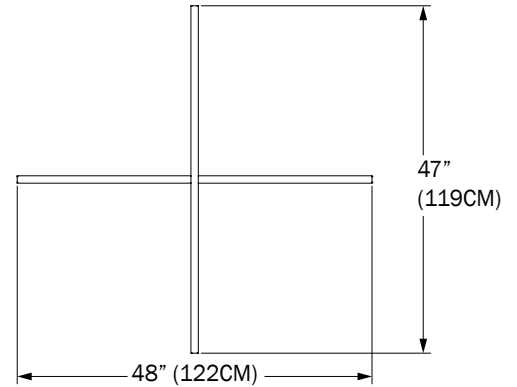
- LUMENS: 2042
- WATTAGE: 22
- WEIGHT: 5 LBS

24P



- LUMENS: 3042
- WATTAGE: 33
- WEIGHT: 8 LBS

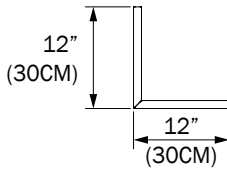
36P



- LUMENS: 3958
- WATTAGE: 33
- WEIGHT: 10 LBS

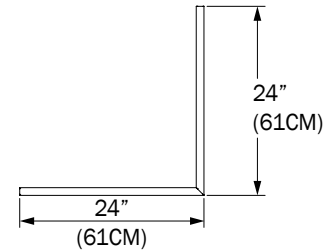
48P

SHARP CORNERS (L):



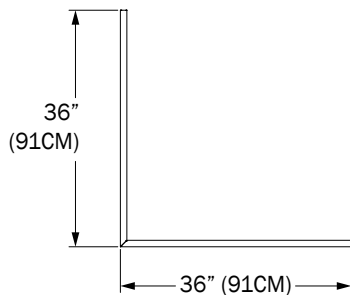
- LUMENS: 1042
- WATTAGE: 22
- WEIGHT: 3 LBS

12L



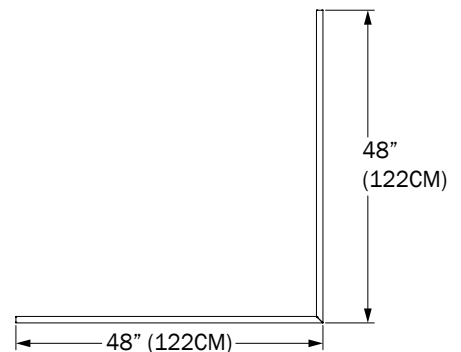
- LUMENS: 2042
- WATTAGE: 22
- WEIGHT: 5 LBS

24L



- LUMENS: 3042
- WATTAGE: 33
- WEIGHT: 8 LBS

36L

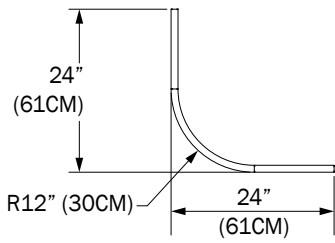


- LUMENS: 4000
- WATTAGE: 43
- WEIGHT: 10 LBS

48L

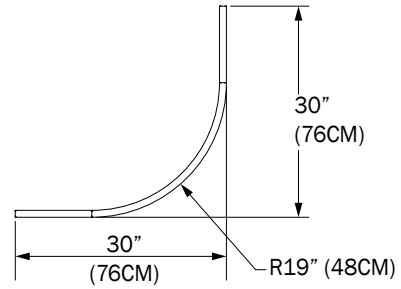
LUNA CURVA™ CEILING

SOFT CORNER CONFIGURATION (SL):



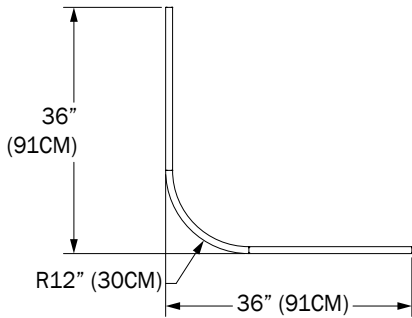
- LUMENS: 1750
- WATTAGE: 19
- WEIGHT: 4 LBS

24SL1



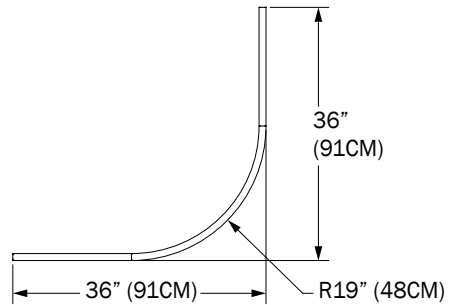
- LUMENS: 2208
- WATTAGE: 24
- WEIGHT: 6 LBS

30SL2



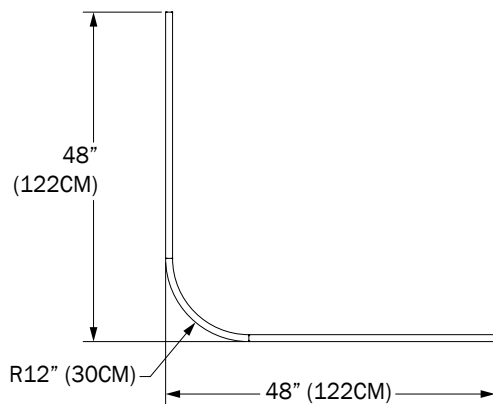
- LUMENS: 2750
- WATTAGE: 30
- WEIGHT: 7 LBS

36SL1



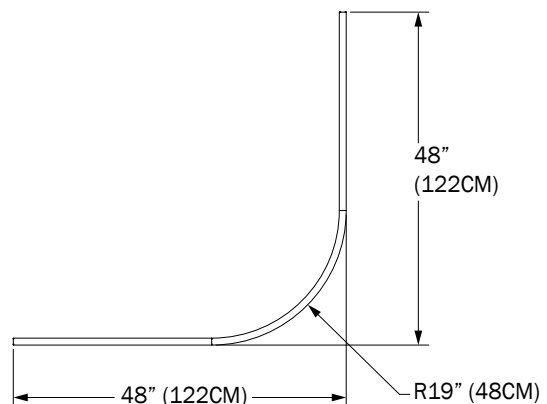
- LUMENS: 2708
- WATTAGE: 29
- WEIGHT: 7 LBS

36SL2



- LUMENS: 3750
- WATTAGE: 41
- WEIGHT: 9 LBS

48SL1



- LUMENS: 3667
- WATTAGE: 40
- WEIGHT: 9 LBS

48SL2

CUSTOM - SECTIONS OVERVIEW

CURVE:

PN	WEIGHT	LUMENS	WATTAGE
R18	3 LBS	1208	13
R30	5 LBS	2083	23
R36	6 LBS	2375	26
R42	7 LBS	2792	30
R48	8 LBS	3083	34
R54	9 LBS	3542	38
R60	10 LBS	3833	42
R72	11 LBS	4333	47
R98	12 LBS	4750	52

PLUS:

PN	WEIGHT	LUMENS	WATTAGE
12P	3 LBS	1042	11
24P	5 LBS	2042	22
36P	8 LBS	3042	33
48P	10 LBS	3958	43

CURVED CROSS:

PN	WEIGHT	LUMENS	WATTAGE
48CC	28 LBS	7833	123
72CC	41 LBS	11000	178

SHARP CORNER:

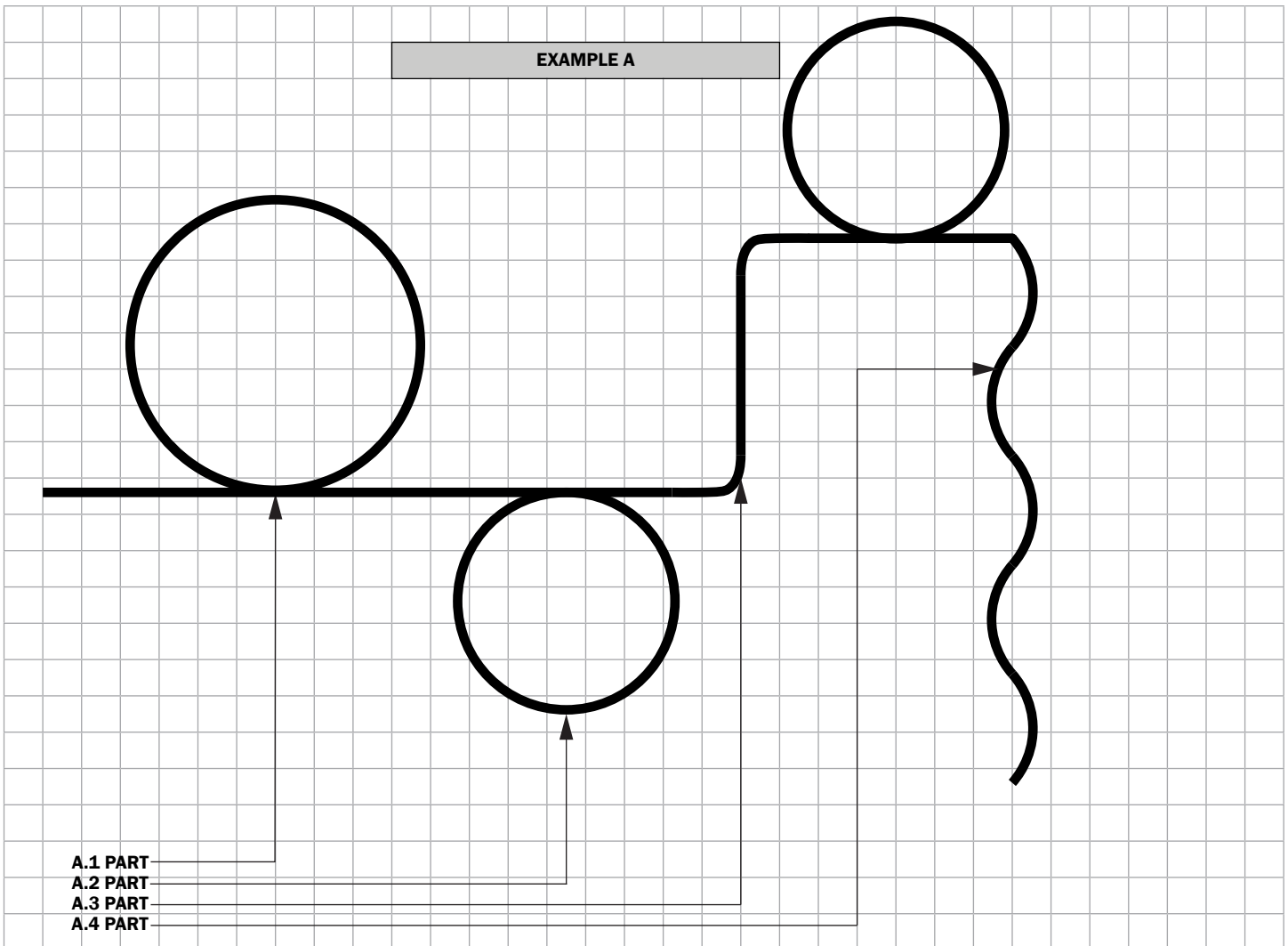
PN	WEIGHT	LUMENS	WATTAGE
12L	3 LBS	1042	11
24L	5 LBS	2042	22
36L	8 LBS	3042	33
48L	10 LBS	4000	43

SOFT CORNER:

PN	WEIGHT	LUMENS	WATTAGE
24SL1	4 LBS	1750	19
36SL1	7 LBS	2750	30
48SL1	9 LBS	3750	41
30SL2	6 LBS	2208	24
36SL2	7 LBS	2708	29
48SL2	9 LBS	3667	40

CUSTOM CONFIGURATION DRAWING IS REQUIRED IF CHOSE CUSTOM, EXAMPLE SKETCH DESIGNS BELOW.

STEPS	EXAMPLE				
CONFIGURE YOUR SECTION PATTERN					
CHOOSE INDICATED DESIRED LENGTHS OF EACH PARTS:	CC	R	P	L	SL
	48 72	18 30 36 42 48 54 60 72 98	12 24 36 48	12 24 36 48	SL1:24 36 48 SL2:24 36 48

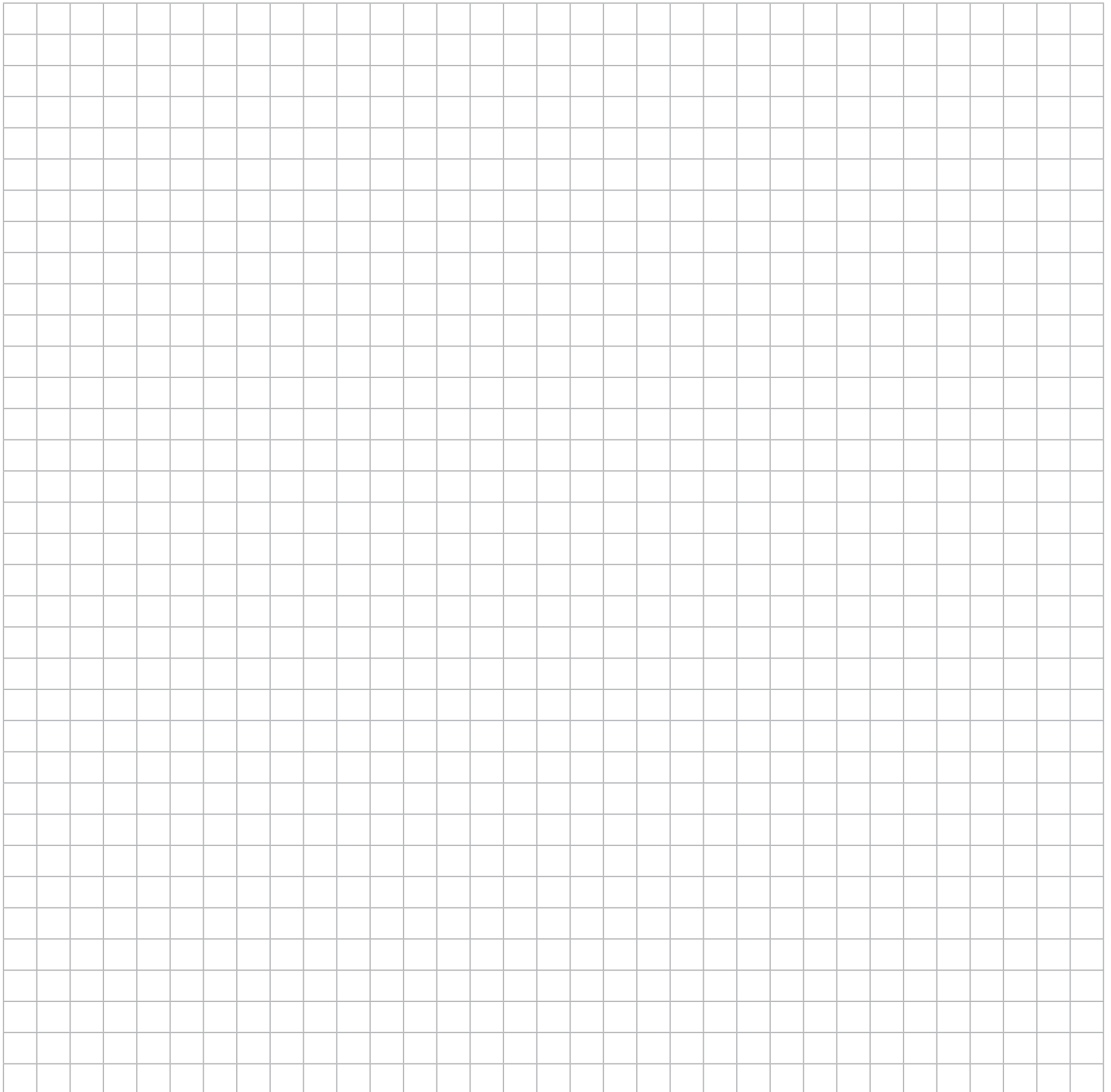


PARTS LENGTH:

- A .1 **CC - 72**
- A .2 **CC - 48**
- A .3 **SL1 - 24**
- A .4 **R - 30**
- A .5

NOTE: MAX LENGTH IS 4FT. CONTACT TMS LIGHTING FOR LENGTH LONGER THAN 4FT.

SKETCH YOUR DESIGN BELOW.



PARTS LENGTH:

- | | | |
|-----------|------------|------------|
| 1. | 6. | 11. |
| 2. | 7. | 12. |
| 3. | 8. | 13. |
| 4. | 9. | 14. |
| 5. | 10. | 15. |

NOTE: REFER TO PAGES 4,5,6, AND 7 FOR SIZES, LUMENS, WATTAGES, AND WEIGHTS

AVAILABLE FINISHES



F04
MATTE
WHITE



F05
GLOSS
WHITE



F09
PEWTER



F15
MATTE
BLACK



F16
GLOSS
BLACK



F18
SATIN
ALUMINUM



F21
ARCH
BRONZE



F31
SILVER
METALLIC



F33
PYRITE
BRONZE



RAL
CUSTOM
COLOR
(RAL #)

NOTE: DISPLAYED FINISHES DIFFER BETWEEN SCREENS AS WELL AS PRINTERS AND MAY NOT ACCURATELY DEPICT COLOR.