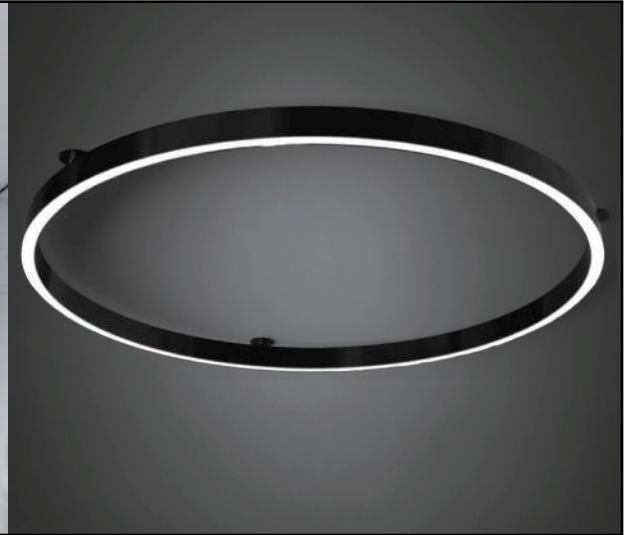


PROJECT: _____

TYPE: _____

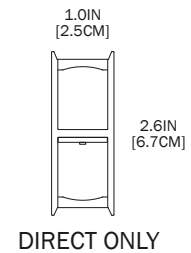
QUANTITY: _____



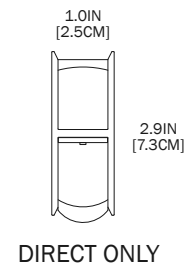
PN: 971LUCL

ILLUMINATION	<ul style="list-style-type: none"> • 3101 - 10743 LUMENS • DIRECT • LED 90CRI
APPLICATION	<ul style="list-style-type: none"> • CEILING • INDOOR RATED
DIMENSION	<ul style="list-style-type: none"> • 24", 36", 48", 60", 72", AND 84" DIA. (61cm, 91cm, 122cm, 152cm, 183cm, and 213cm) • PROFILE: 1"W X 2.625"H (2.5cm X 6.6cm)
ELECTRICAL	<ul style="list-style-type: none"> • 120 - 277V • 10KV SURGE SUPPRESSION
DIFFUSERS	<ul style="list-style-type: none"> • HIGH EFFICIENCY ACRYLIC
MOUNTING	<ul style="list-style-type: none"> • CANOPY OR REMOTE MOUNTED DRIVERS
CONSTRUCTION	<ul style="list-style-type: none"> • ALUMINUM
FINISHES	<ul style="list-style-type: none"> • AVAILABLE IN SEVERAL TMS POWDER COATED FINISHES • CUSTOM RAL FINISHES AVAILABLE
DIMMING	<ul style="list-style-type: none"> • 0 - 10V (1%) DIMMING (120-277V) • LINE VOLTAGE/TRIAC/ELV (120V ONLY) • LUTRON HI-LUME (1%) DIMMING (120-277V)
WEIGHT	<ul style="list-style-type: none"> • 12 LBS MINIMUM, 37 LBS MAXIMUM

FLAT DIFFUSER



DOM DIFFUSER





PROJECT: _____

TYPE: _____

QUANTITY: _____

971LUCL

1 2 3 4 5 6 7 8

1.	24D	36D	48D	60D	72D	84D
DIAMETER	24" (61CM)	36" (91CM)	48" (122CM)	60" (152CM)	72" (183CM)	84" (213CM)
LED (W)	34W	51W	68W	85W	102W	118W
LUMENS	3101	4608	6158	7766	9270	10743

2.	H	M	L	C: _____
OUTPUT	100% LUMENS	75% LUMENS	50% LUMENS	[CUSTOM]% LUMENS

3.	30K	35K	40K
CCT	3000	3500	4000

4.	S	D
CIRCUITS	SINGLE	DUAL

5.	CD	RM
DRIVER	CANOPY MOUNT	REMOTE MOUNT

6.	FLAT	DOM
DIFFUSER	FLAT DIFFUSER	DOME DIFFUSER

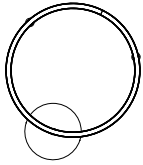
7.	ADDITIONAL AND PREMIUM FINISHES AVAILABLE. SEE FINISHES CHART	F04	F05	F15	F16	F09	F31	F18
FINISH		MATTE WHITE	GLOSS WHITE	MATTE BLACK	GLOSS BLACK	PEWTER	SILVER METALLIC	SATIN ALUMINUM

8.	DIML	DIME ²	DIMV
DIMMING	0-10V(1%) (120-277V)	LUTRON HI-LUME (1%) (120-277V) (UP TO 60" ONLY)	LINE VOLTAGE/TRIAC/ELV (120V ONLY)

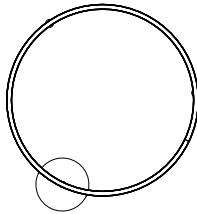
1. CUSTOM PERCENTAGE I.E. 60%. CONSULT FACTORY.

2. DIAMETERS LARGER THAN 6FT (1.8M) ARE INCOMPATIBLE WITH LUTRON DIMMING

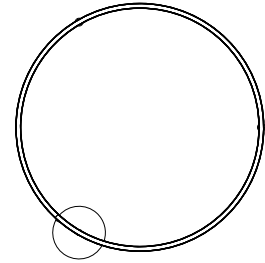
NOTE: SOME OPTIONS MAY NOT BE COMPATIBLE WITH OTHERS. ALL SPECIFICATIONS ARE SUBJECT TO CHANGE WITHOUT NOTICE. CONTACT TMS LIGHTING FOR UPDATED SPECIFICATIONS.



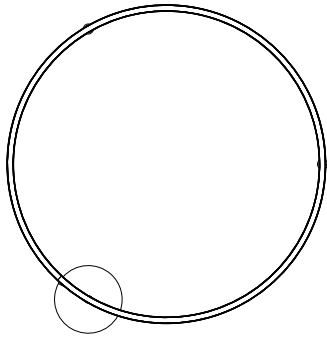
24D



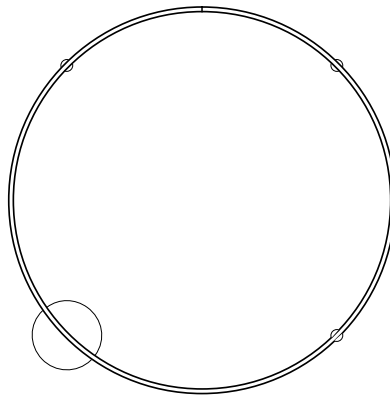
36D



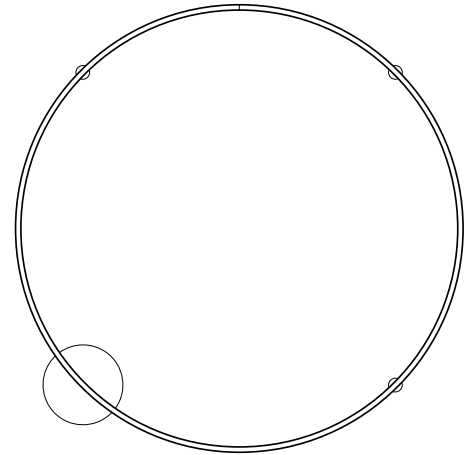
48D



60D



72D

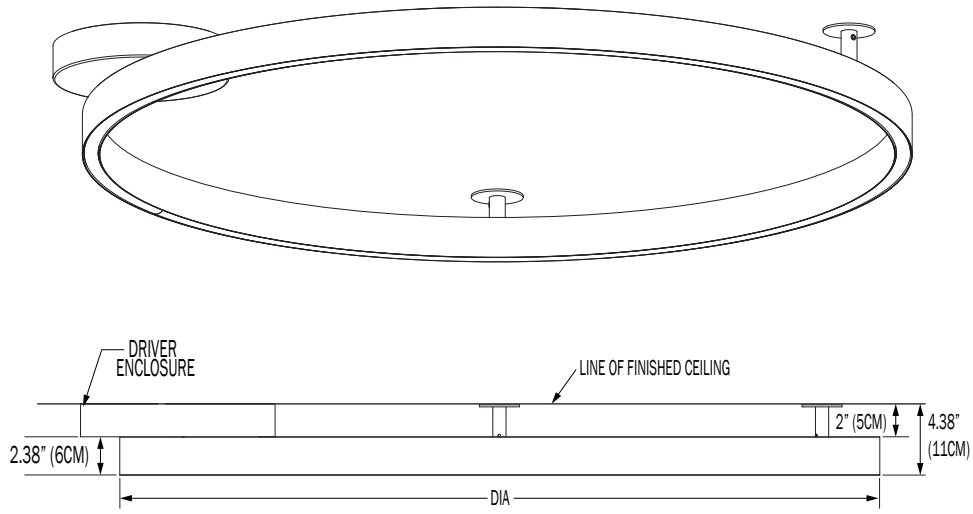


84D

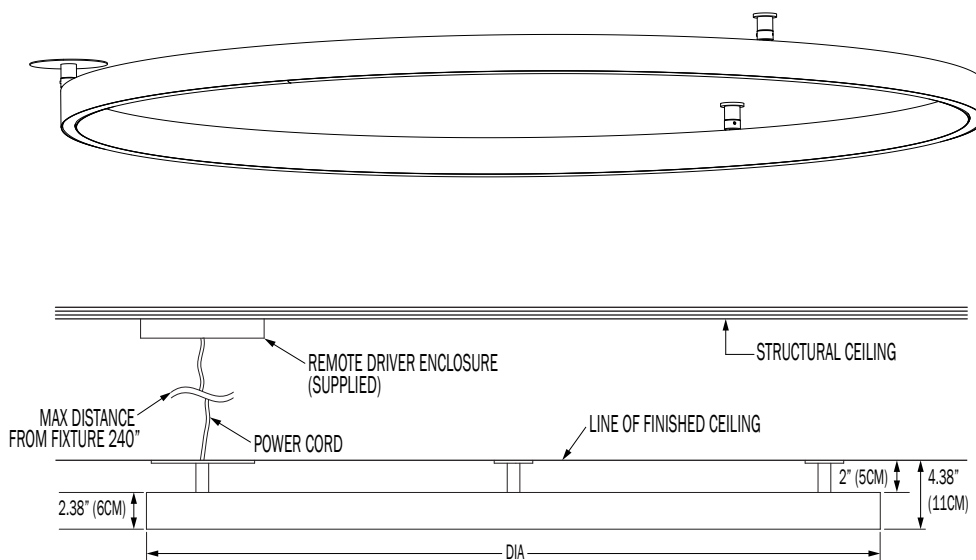
SIZES	DIAMETER	MOUNTING POINT	CANOPY SIZE		NUMBER OF CANOPY	WEIGHT (POUNDS - LBS)	SECTIONS
			CD	RM			
24	24"	3	10"	5"	1(D)	12(D)	1
36	36.5"	3	10"	5"	1(D)	15(D)	1
48	47.5"	3	10"	5"	1(D)	19(D)	1
60	59.5"	3	10"	5"	1(D)	24(D)	1
72	72"	4	10"	5"	1(D)	30(D)	1
84	84"	4	10"	5"	1(D)	37(D)	1

DROP CORD

CD (CANOPY MOUNT DRIVER)



RM (REMOTE MOUNT DRIVER)



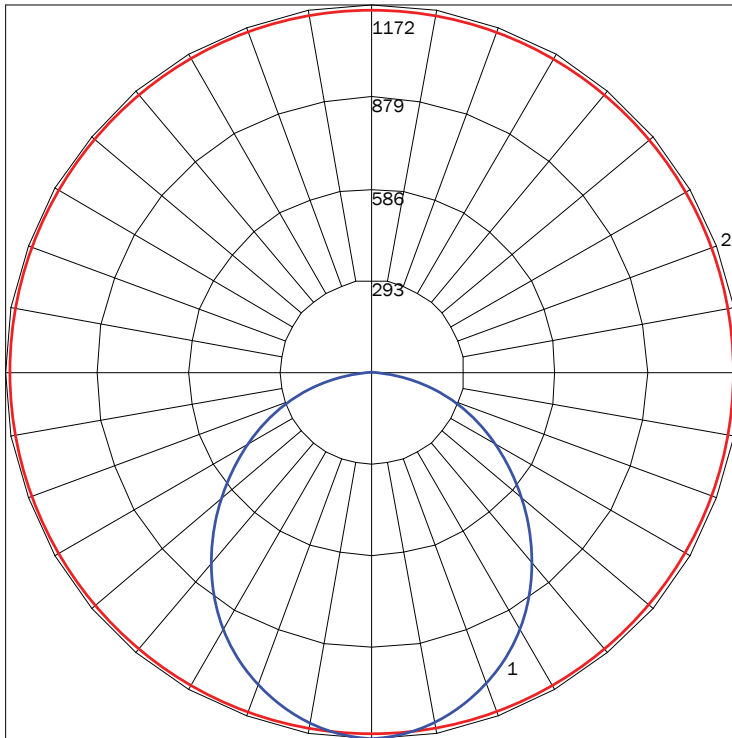
DIRECT

PN	SIZE (DIA)	LUMENS	WATTAGE
971LUCL	24D	3101	34
	36D	4608	51
	48D	6158	68
	60D	7766	85
	72D	9270	102
	84D	10743	118

IES INDOOR REPORT

PHOTOMETRIC FILENAME : 971LUCL 24D 35K F05.IES

POLAR GRAPH



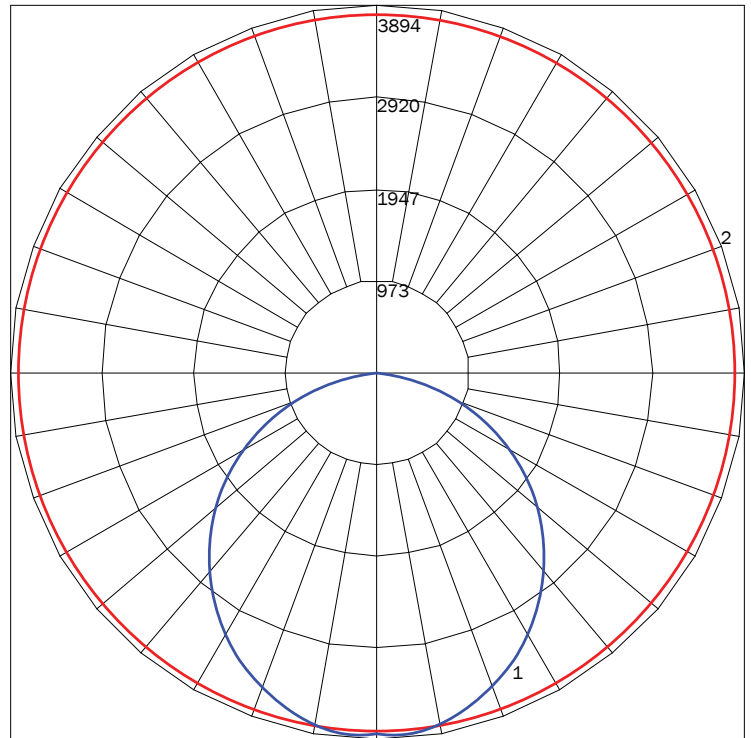
MAXIMUM CANDELA = 1172.49 LOCATED AT HORIZONTAL ANGLE = 0, VERTICAL ANGLE = 5
 # 1 - VERTICAL PLANE THROUGH HORIZONTAL ANGLES (0 - 180) (THROUGH MAX. CD.)
 # 2 - HORIZONTAL CONE THROUGH VERTICAL ANGLE (0) (THROUGH MAX. CD.)

LUMINAIRE LUMENS 3101
TOTAL LUMINAIRE EFFICIENCY 72%
LUMINAIRE EFFICACY RATING 92
TOTAL LUMINAIRE WATTS 34

IES INDOOR REPORT

PHOTOMETRIC FILENAME : 971LUCL 84D 35K F05.IES

POLAR GRAPH



MAXIMUM CANDELA = 3893.9 LOCATED AT HORIZONTAL ANGLE = 90, VERTICAL ANGLE = 5
 # 1 - VERTICAL PLANE THROUGH HORIZONTAL ANGLES (90 - 270) (THROUGH MAX. CD.)
 # 2 - HORIZONTAL CONE THROUGH VERTICAL ANGLE (5) (THROUGH MAX. CD.)

LUMINAIRE LUMENS 10743
TOTAL LUMINAIRE EFFICIENCY 71%
LUMINAIRE EFFICACY RATING 91
TOTAL LUMINAIRE WATTS 118

FINISHES



PREMIUM FINISHES



NOTE: DISPLAYED FINISHES DIFFER BETWEEN SCREENS AS WELL AS PRINTERS AND MAY NOT ACCURATELY DEPICT COLOR.