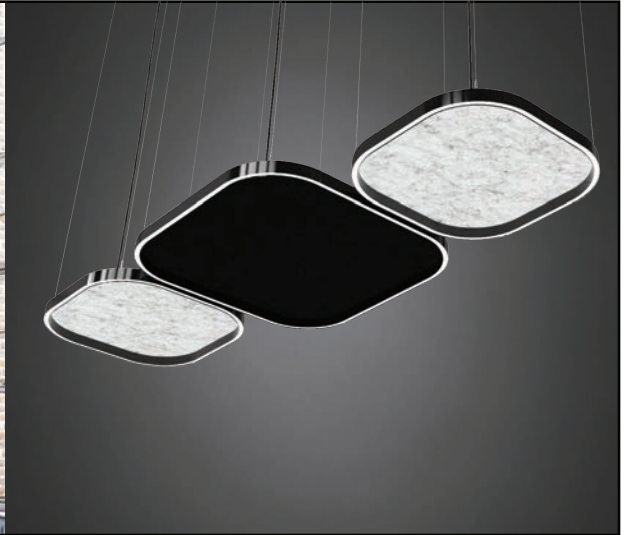


LUNA BRIO™ PENDANT

PROJECT: _____

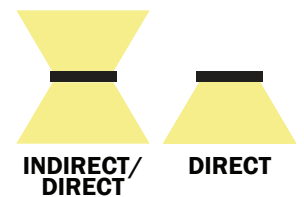
TYPE: _____

QUANTITY: _____

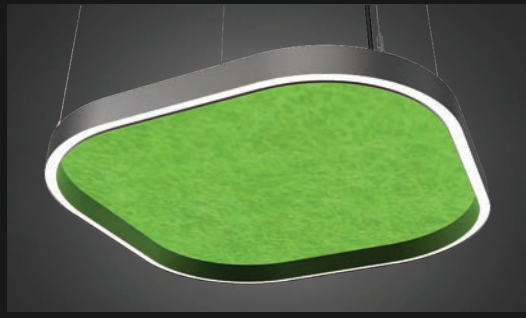


PN: 941LUSSP

APPLICATION	<ul style="list-style-type: none"> • PENDANT MOUNT • INDOOR
DIMENSION	<ul style="list-style-type: none"> • 36" AND 48" (91CM AND 122CM) • WIDTH: 1" (2CM) HEIGHT: 2.38" (6CM)
ILLUMINATION	<ul style="list-style-type: none"> • DIRECT OR INDIRECT/DIRECT • LED 90CRI • 3,126 - 8,766 LUMENS
DRIVER	<ul style="list-style-type: none"> • 120V, UNI (120 - 277V), AND 347V • 10KA SURGE SUPPRESSION STANDARD
DIFFUSERS	<ul style="list-style-type: none"> • HIGH EFFICIENCY ACRYLIC
MOUNTING	<ul style="list-style-type: none"> • 96" (244CM) BLACK OR WHITE DROP CORD W/ AIRCRAFT CABLE
CONSTRUCTION	<ul style="list-style-type: none"> • ALUMINUM
FINISHES	<ul style="list-style-type: none"> • AVAILABLE IN SEVERAL TMS POWDER COATED FINISHES • CUSTOM RAL FINISHES AVAILABLE
DIMMING	<ul style="list-style-type: none"> • 0 - 10V STANDARD DIMMING • LUTRON HI - LUME (1%)
WEIGHT	<ul style="list-style-type: none"> • 29 LBS MAXIMUM



LUNA BRIO™ PENDANT



PROJECT: _____

TYPE: _____

QUANTITY: _____

941LUSSP

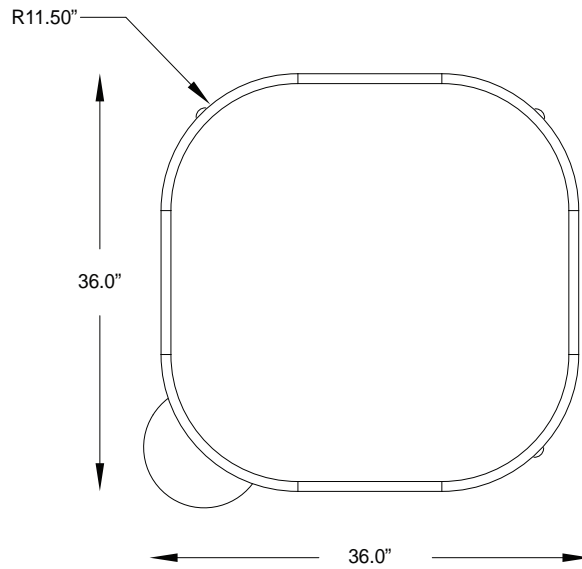
1 2 3 4 5 6 7 8 9 10

1. DIRECT											
SIZE	3D					4D					
	36" (91CM)					48" (122CM)					
LED (W)	34W					48W					
LUMENS	3126					4499					
INDIRECT/DIRECT											
SIZE	3ID					4ID					
	36" (91CM)					48" (122CM)					
LED (W)	67W					97W					
LUMENS	6074					8766					
2.		H			M			L		C: ¹	
OUTPUT	100% LUMENS			75% LUMENS			50% LUMENS		[CUSTOM]% LUMENS		
3.		CW	MA	CA	RH	SG	HG	SL	CH		
ACOUSTIC COLOR	COCONUT WHITE		MARBLE	CAPPUCCINO	RHINO GREY	STEEL GREY	HEATHER GREY	SLATE	CHARCOAL		
	TA		RR	MT	GG	GA	LB	DO	CG		
	TANGERINE		RUBY RED	MANGO TWIST	GOLF GREEN	GREEN APPLE	LINEN BLUE	DEEP OCEAN	CYBER GRAPE		
4.		30K			35K			40K			
LED CCT	3000K			3500K			4000K				
5.		120			UNI			347			
VOLTAGE	120V			120 - 277V			347V				
6.		S					D				
CIRCUIT	SINGLE					DUAL					
7.		MM					PS				
MOUNTING	MULTIPLE AIRCRAFT CABLES					SINGLE PLATE W/ AIRCRAFT CABLES					
8.		BC					WC				
CORD	BLACK CORD					WHITE DROP CORD					
9.		F04	F05	F09	F15	F16	F18	F21	F31	F33	RAL
FINISH	MATTE WHITE	GLOSS WHITE	PEWTER	MATTE BLACK	GLOSS BLACK	SATIN ALUMINUM	ARCH BRONZE	SILVER METALLIC	PYRITE BRONZE	CUSTOM (SPECIFY)	
10.		DIML					DIME				
DIMMING	LED DIMMING (0 - 10V, CURRENT - SINKING)					LUTRON HI - LUME 1%					

1. CUSTOM PERCENTAGE I.E. 60%. CONSULT FACTORY.

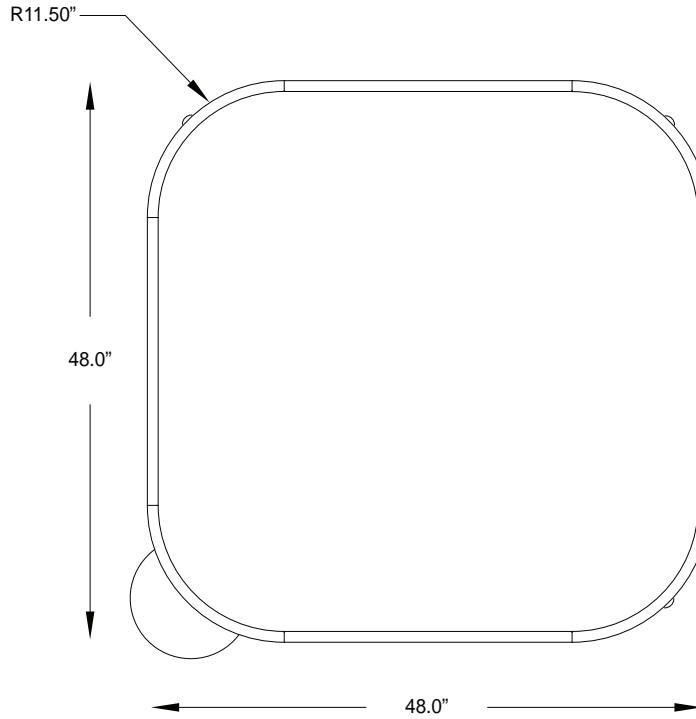
NOTE: SOME OPTIONS MAY NOT BE COMPATIBLE WITH OTHERS. ALL SPECIFICATIONS ARE SUBJECT TO CHANGE WITHOUT NOTICE. CONTACT TMS LIGHTING FOR UPDATED SPECIFICATIONS.

LUNA BRIO™ PENDANT



- CANOPY DIAMETER: 9" (23CM)
- WEIGHT D: 22 LBS

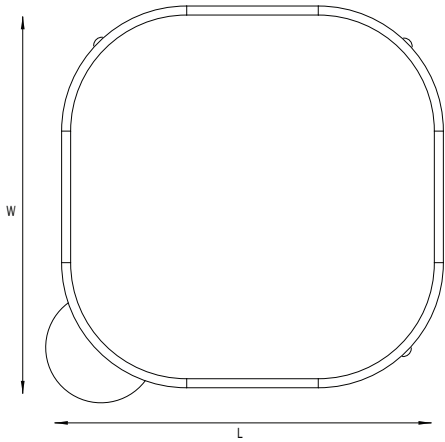
5L3W



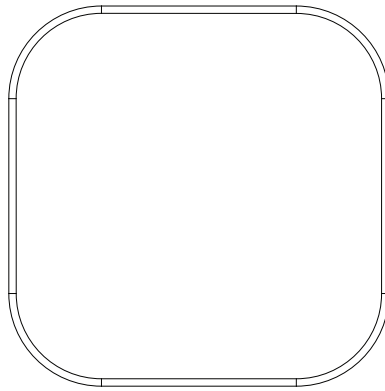
- CANOPY DIAMETER: 14" (36CM)
- WEIGHT D: 29 LBS

6L3W

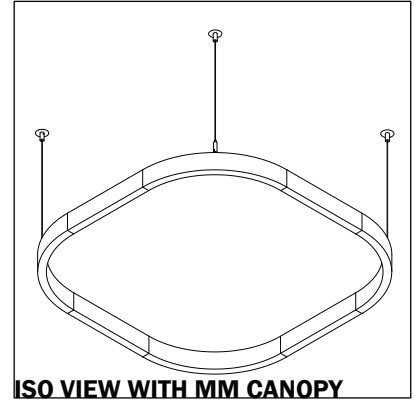
LUNA BRIO™ PENDANT



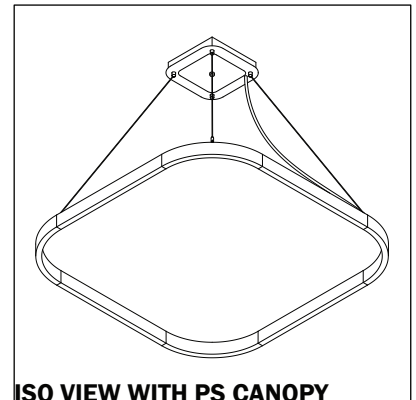
BOTTOM VIEW WITH MM CANOPY



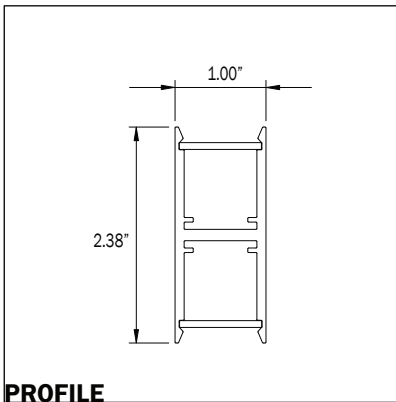
BOTTOM VIEW WITH PS CANOPY



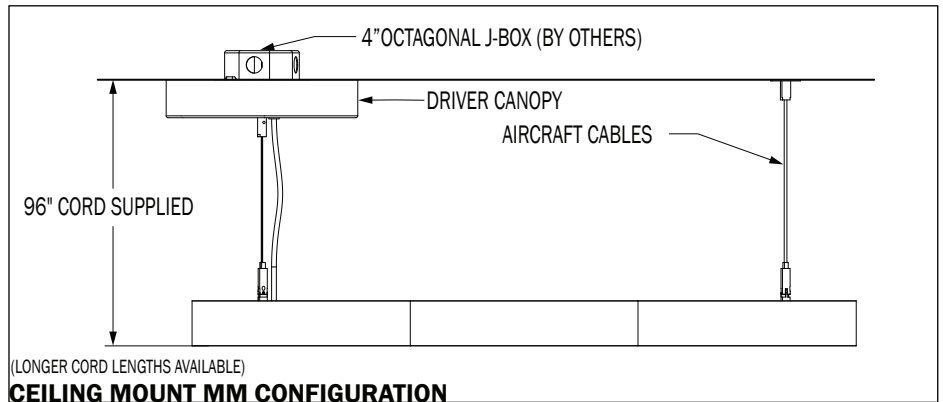
ISO VIEW WITH MM CANOPY



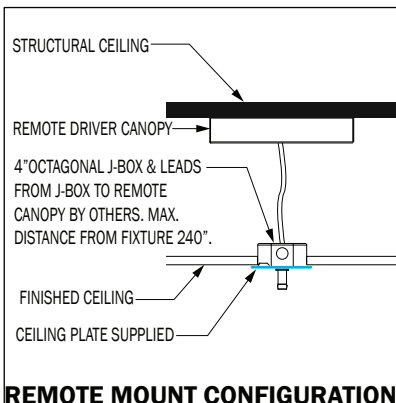
ISO VIEW WITH PS CANOPY



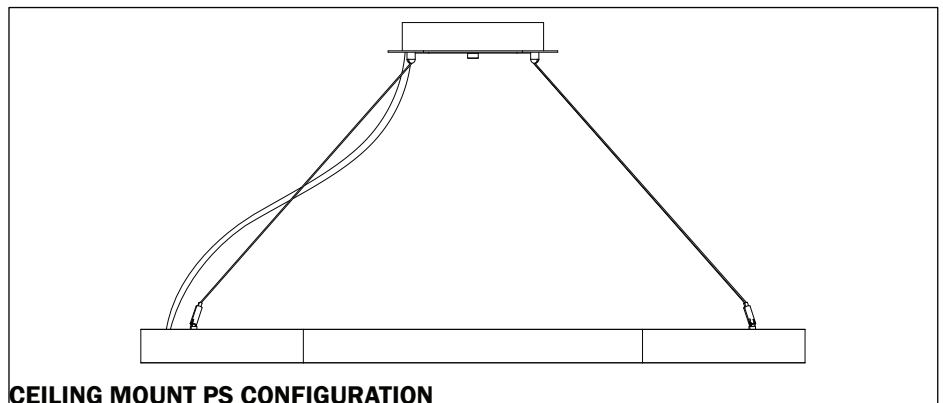
PROFILE



CEILING MOUNT MM CONFIGURATION



REMOTE MOUNT CONFIGURATION



CEILING MOUNT PS CONFIGURATION

LUNA BRIO™ PENDANT

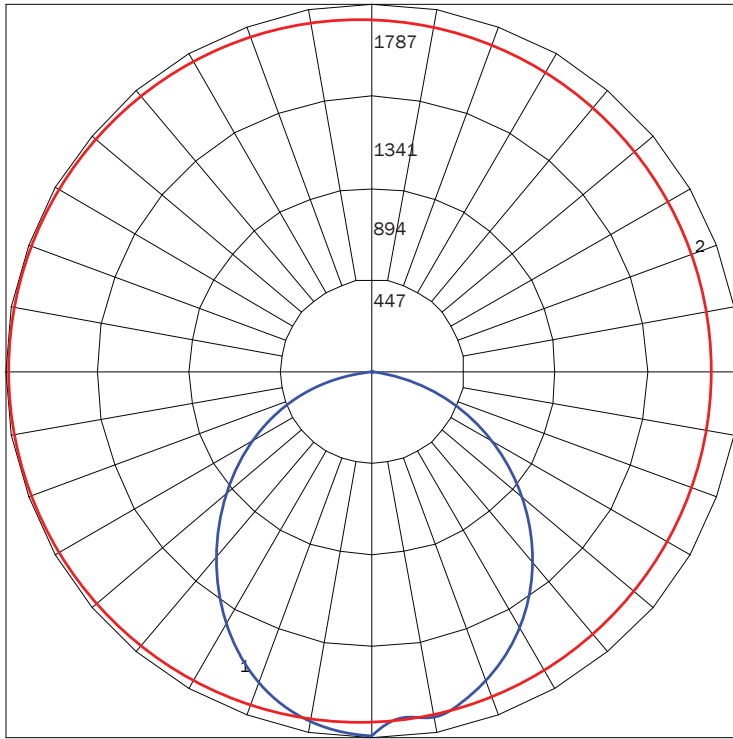
DIRECT

PN	SIZE (L X W)	LUMENS	WATTAGE	WEIGHT
941LUSCL	3D	3126	34	22 LBS
	4D	4499	48	29 LBS

IES INDOOR REPORT

PHOTOMETRIC FILENAME : 941LUSSP 4D 35K F05.IES

POLAR GRAPH



MAXIMUM CANDELA = 1787.39 LOCATED AT HORIZONTAL ANGLE = 180, VERTICAL ANGLE = 5
 # 1 - VERTICAL PLANE THROUGH HORIZONTAL ANGLES (180 - 0) (THROUGH MAX. CD)
 # 2 - HORIZONTAL CONE THROUGH VERTICAL ANGLE (5) (THROUGH MAX. CD)

LUMINAIRE LUMENS	4499
TOTAL LUMINAIRE EFFICIENCY	60%
LUMINAIRE EFFICACY RATING	93
TOTAL LUMINAIRE WATTS	48

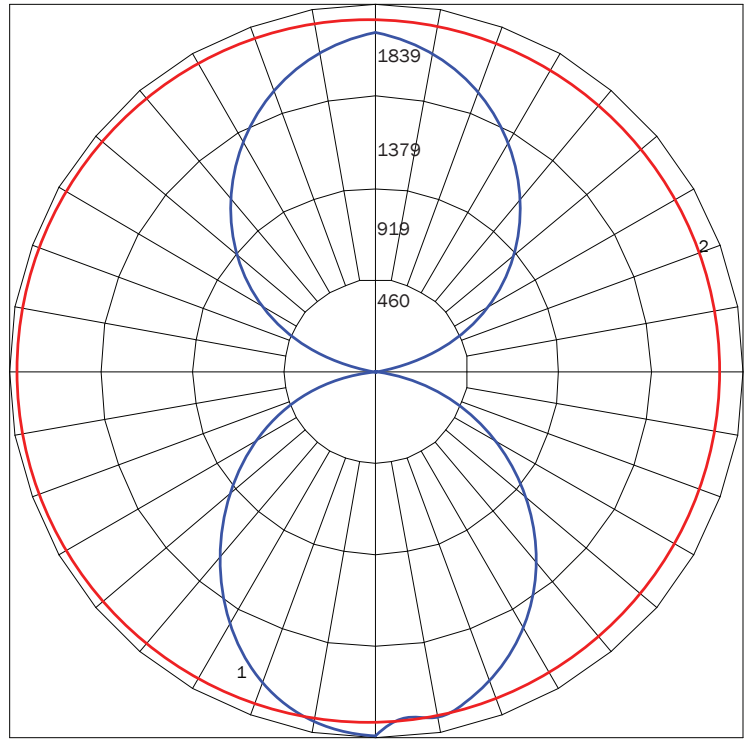
INDIRECT / DIRECT

PN	SIZE (L X W)	LUMENS	WATTAGE	WEIGHT
941LUSCL	3ID	6074	67	22 LBS
	4ID	8766	97	29 LBS

IES INDOOR REPORT

PHOTOMETRIC FILENAME : 941LUSSP 4ID 35K F05.IES

POLAR GRAPH



MAXIMUM CANDELA = 1838.81 LOCATED AT HORIZONTAL ANGLE = 180, VERTICAL ANGLE = 5
 # 1 - VERTICAL PLANE THROUGH HORIZONTAL ANGLES (180 - 0) (THROUGH MAX. CD)
 # 2 - HORIZONTAL CONE THROUGH VERTICAL ANGLE (5) (THROUGH MAX. CD)

LUMINAIRE LUMENS	8766
TOTAL LUMINAIRE EFFICIENCY	58%
LUMINAIRE EFFICACY RATING	91
TOTAL LUMINAIRE WATTS	185

LUNA BRIO™ PENDANT

AVAILABLE FINISHES



F04
MATTE
WHITE



F05
GLOSS
WHITE



F09
PEWTER



F15
MATTE
BLACK



F16
GLOSS
BLACK



F18
SATIN
ALUMINUM



F21
ARCH
BRONZE



F31
SILVER
METALLIC

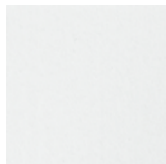


F33
PYRITE
BRONZE



RAL
CUSTOM
COLOR
(RAL #)

ACOUSTIC COLOURS



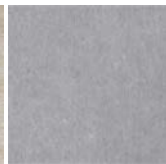
CW
COCONUT
WHITE



MA
MARBLE



CA
CAPPUCCINO



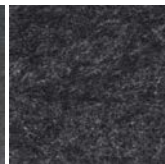
RG
RHINO
GREY



SG
STEEL
GREY



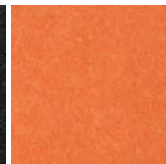
HG
HEATHER
GREY



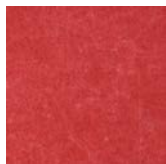
SL
SLATE



CH
CHARCOAL



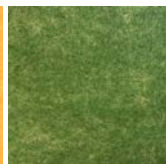
TA
TANGERINE



RR
RUBY
RED



MT
MANGO
TWIST



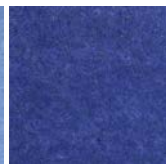
GG
GOLF
GREEN



GA
GREEN
APPLE



LB
LINEN
BLUE



DO
DEEP
OCEAN



CG
CYBER
GRAPE

NOTE: DISPLAYED FINISHES DIFFER BETWEEN SCREENS AS WELL AS PRINTERS AND MAY NOT ACCURATELY DEPICT COLOR.