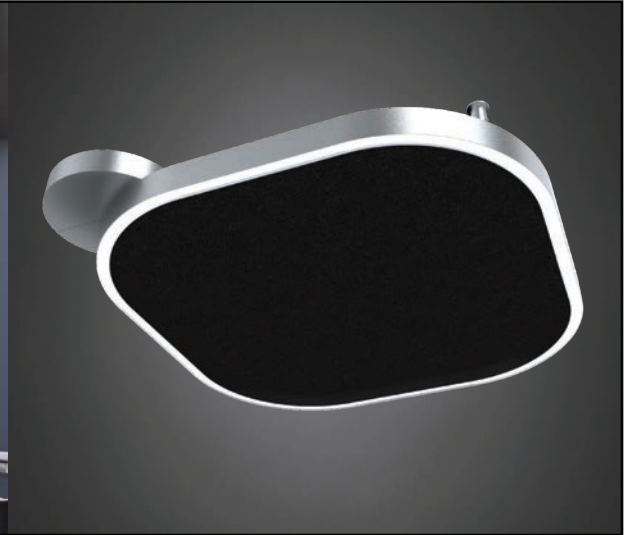


LUNA BRIO™ CEILING

PROJECT: _____

TYPE: _____

QUANTITY: _____

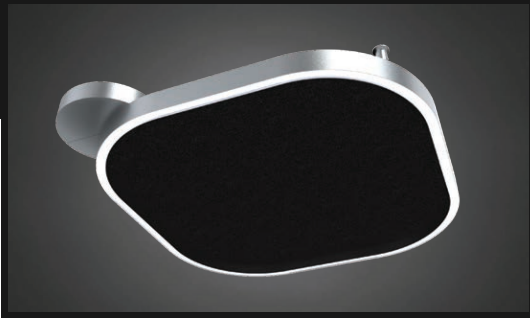


PN: 941LUSSCL

APPLICATION	<ul style="list-style-type: none"> • CEILING • INDOOR RATED
DIMENSION	<ul style="list-style-type: none"> • 36" AND 48" (91CM AND 122CM) • WIDTH: 1" (2CM) HEIGHT: 2.38" (6CM)
ILLUMINATION	<ul style="list-style-type: none"> • DIRECT • LED 90CRI • 3,126 - 4,499 LUMENS
DRIVER	<ul style="list-style-type: none"> • 120V, UNI (120 - 277V), AND 347V • 10KA SURGE SUPPRESSION STANDARD
DIFFUSERS	<ul style="list-style-type: none"> • HIGH EFFICIENCY ACRYLIC
MOUNTING	<ul style="list-style-type: none"> • REMOTE OR CEILING MOUNTED CANOPY
CONSTRUCTION	<ul style="list-style-type: none"> • ALUMINUM
FINISHES	<ul style="list-style-type: none"> • AVAILABLE IN SEVERAL TMS POWDER COATED FINISHES • CUSTOM RAL FINISHES AVAILABLE
DIMMING	<ul style="list-style-type: none"> • 0 - 10V STANDARD DIMMING • LUTRON HI - LUME (1%)
WEIGHT	<ul style="list-style-type: none"> • 25 LBS MAXIMUM



LUNA BRIO™ CEILING



PROJECT: _____

TYPE: _____

QUANTITY: _____

941LUSSCL

1 2 3 4 5 6 7 8

1.	3D	4D
SIZE	36" (91CM)	48" (122CM)
LED (W)	34W	48W
LUMENS	3126	4499

2.	H	M	L	C: _____ ¹
OUTPUT	100% LUMENS	75% LUMENS	50% LUMENS	[CUSTOM]% LUMENS

3.	CW	MA	CA	RH	SG	HG	SL	CH
ACOUSTIC COLOR	COCONUT WHITE	MARBLE	CAPPUCCINO	RHINO GREY	STEEL GREY	HEATHER GREY	SLATE	CHARCOAL
	TA	RR	MT	GG	GA	LB	DO	CG
	TANGERINE	RUBY RED	MANGO TWIST	GOLF GREEN	GREEN APPLE	LINEN BLUE	DEEP OCEAN	CYBER GRAPE

4.	30K	35K	40K
LED CCT	3000K	3500K	4000K

5.	120	UNI	347
VOLTAGE	120V	120 - 277V	347V

6.	CD	RM
DRIVER	CANOPY MOUNT	REMOTE MOUNT

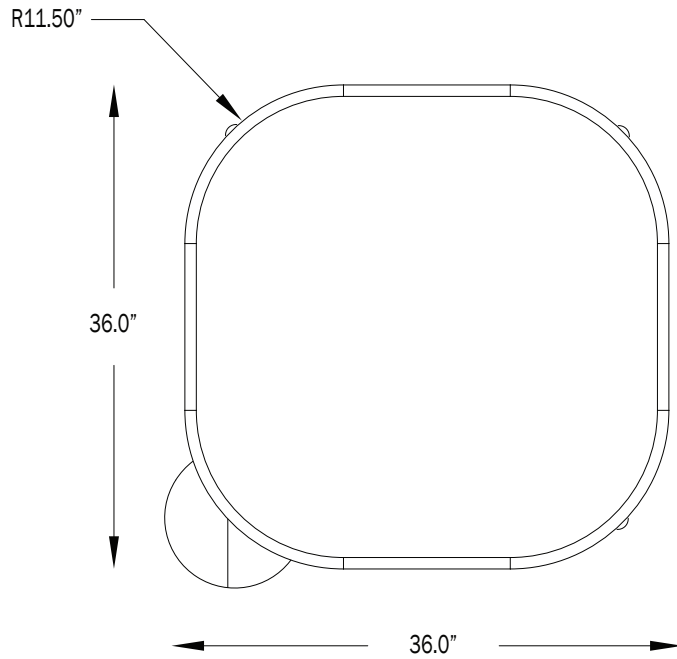
7.	F04	F05	F09	F15	F16	F18	F21	F31	F33	RAL
FINISH	MATTE WHITE	GLOSS WHITE	PEWTER	MATTE BLACK	GLOSS BLACK	SATIN ALUMINUM	ARCH BRONZE	SILVER METALLIC	PYRITE BRONZE	CUSTOM (SPECIFY)

8.	DIML	DIME
DIMMING	LED DIMMING (0 - 10V, CURRENT - SINKING)	LUTRON HI - LUME 1%

1. CUSTOM PERCENTAGE I.E. 60%. CONSULT FACTORY.

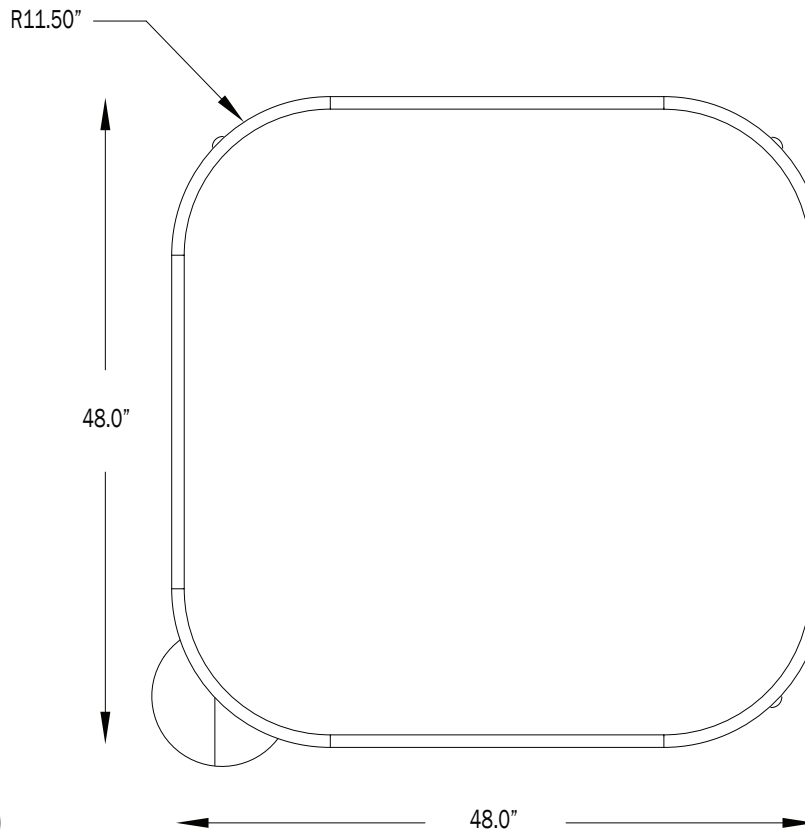
NOTE: SOME OPTIONS MAY NOT BE COMPATIBLE WITH OTHERS. ALL SPECIFICATIONS ARE SUBJECT TO CHANGE WITHOUT NOTICE. CONTACT TMS LIGHTING FOR UPDATED SPECIFICATIONS.

LUNA BRIO™ CEILING



- CANOPY DIAMETER: 9" (23CM)
- WEIGHT D: 22 LBS

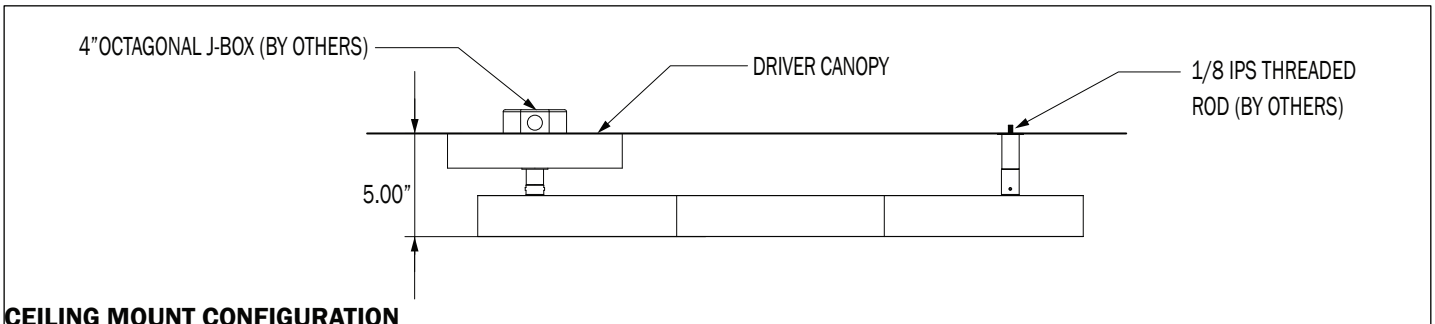
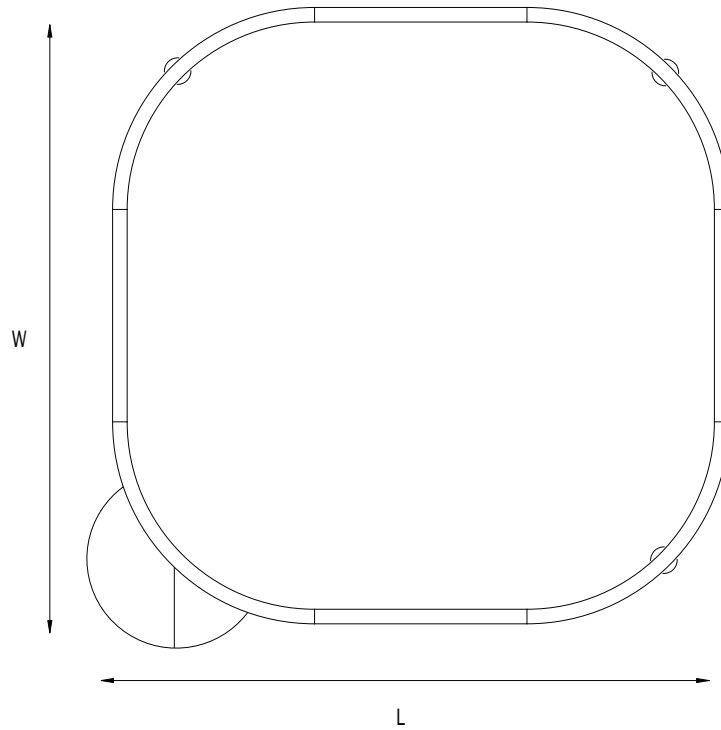
3D



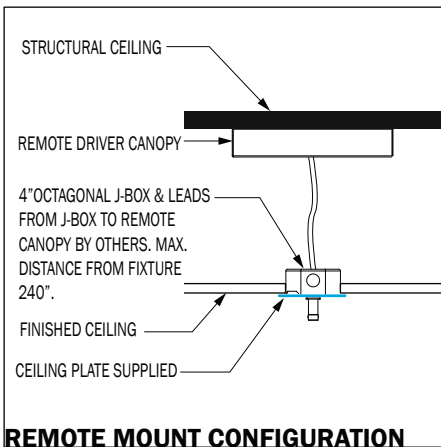
- CANOPY DIAMETER: 14" (36CM)
- WEIGHT D: 29 LBS

4D

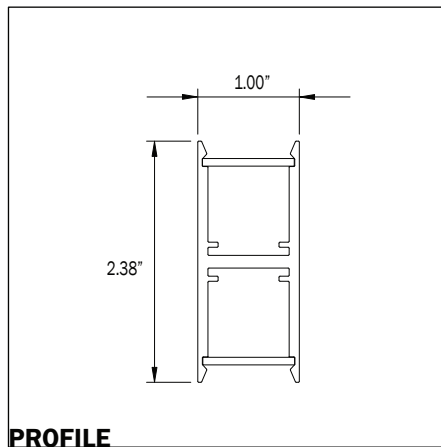
LUNA BRIO™ CEILING



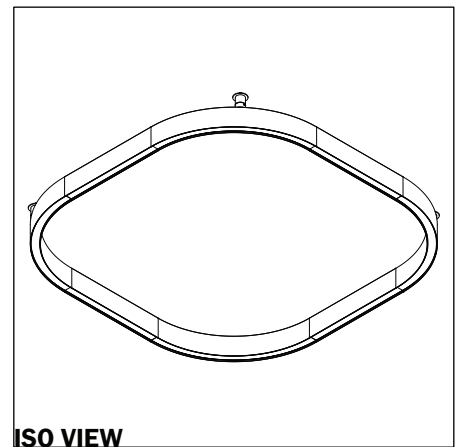
CEILING MOUNT CONFIGURATION



REMOTE MOUNT CONFIGURATION



PROFILE



ISO VIEW

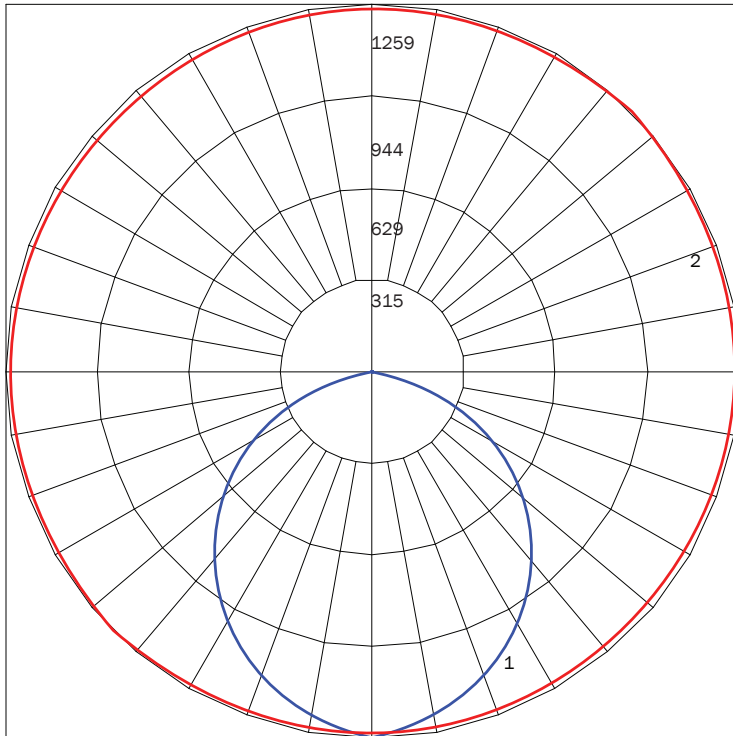
DIRECT

PN	SIZE	LUMENS	WATTAGE	WEIGHT
941LUSCL	3D	3128	34	22 LBS
	4D	4499	48	29 LBS

IES INDOOR REPORT

PHOTOMETRIC FILENAME : 941LUSCL 3D 35K F05.IES

POLAR GRAPH



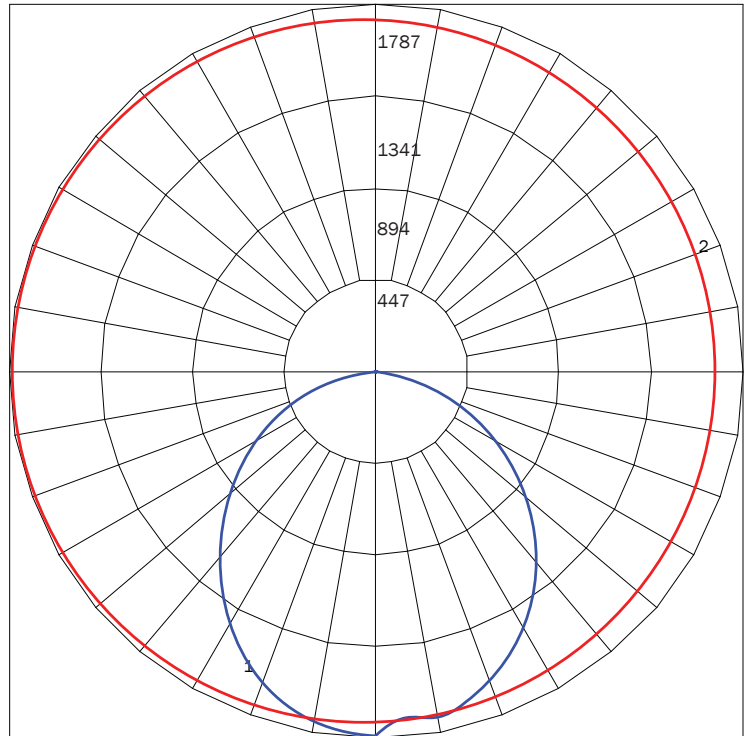
MAXIMUM CANDELA = 1258.97 LOCATED AT HORIZONTAL ANGLE = 0, VERTICAL ANGLE = 0
 # 1 - VERTICAL PLANE THROUGH HORIZONTAL ANGLES (0 - 180) (THROUGH MAX. CD)
 # 2 - HORIZONTAL CONE THROUGH VERTICAL ANGLE (0) (THROUGH MAX. CD)

LUMINAIRE LUMENS 3126
TOTAL LUMINAIRE EFFICIENCY 60%
LUMINAIRE EFFICACY RATING 93
TOTAL LUMINAIRE WATTS 34

IES INDOOR REPORT

PHOTOMETRIC FILENAME : 941LUSCL 4D 35K F05.IES

POLAR GRAPH



MAXIMUM CANDELA = 1787.39 LOCATED AT HORIZONTAL ANGLE = 180, VERTICAL ANGLE = 5
 # 1 - VERTICAL PLANE THROUGH HORIZONTAL ANGLES (180 - 0) (THROUGH MAX. CD)
 # 2 - HORIZONTAL CONE THROUGH VERTICAL ANGLE (5) (THROUGH MAX. CD)

LUMINAIRE LUMENS 4499
TOTAL LUMINAIRE EFFICIENCY 60%
LUMINAIRE EFFICACY RATING 93
TOTAL LUMINAIRE WATTS 48

AVAILABLE FINISHES



F04
MATTE
WHITE



F05
GLOSS
WHITE



F09
PEWTER



F15
MATTE
BLACK



F16
GLOSS
BLACK



F18
SATIN
ALUMINUM



F21
ARCH
BRONZE



F31
SILVER
METALLIC

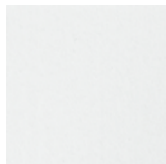


F33
PYRITE
BRONZE



RAL
CUSTOM
COLOR
(RAL #)

ACOUSTIC COLOURS



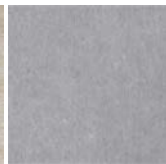
CW
COCONUT
WHITE



MA
MARBLE



CA
CAPPUCCINO



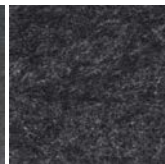
RG
RHINO
GREY



SG
STEEL
GREY



HG
HEATHER
GREY



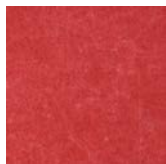
SL
SLATE



CH
CHARCOAL



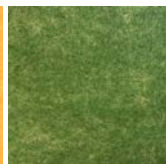
TA
TANGERINE



RR
RUBY
RED



MT
MANGO
TWIST



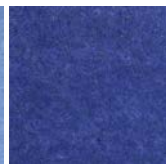
GG
GOLF
GREEN



GA
GREEN
APPLE



LB
LINEN
BLUE



DO
DEEP
OCEAN



CG
CYBER
GRAPE

NOTE: DISPLAYED FINISHES DIFFER BETWEEN SCREENS AS WELL AS PRINTERS AND MAY NOT ACCURATELY DEPICT COLOR.