

LUNA BRIO CEILING

PROJECT: _____

TYPE: _____

QUANTITY: _____



PN: 941LUSSCL

APPLICATION	<ul style="list-style-type: none">• DIRECT CEILING• INDOOR RATED
DIMENSIONS	<ul style="list-style-type: none">• AVAILABLE IN 36" - 84"
ILLUMINATION	<ul style="list-style-type: none">• LED 90CRI• 3126 - 8624 LUMENS
ELECTRICAL	<ul style="list-style-type: none">• 120 - 277V• 6KV SURGE SUPPRESSION STANDARD
DIFFUSERS	<ul style="list-style-type: none">• HIGH EFFICIENCY ACRYLIC
MOUNTING	<ul style="list-style-type: none">• REMOTE OR CEILING MOUNTED CANOPY
CONSTRUCTION	<ul style="list-style-type: none">• ALUMINUM BODY & STAINLESS STEEL HARDWARE
FINISHES	<ul style="list-style-type: none">• AVAILABLE IN SEVERAL TMS POLYESTER POWDER COATED FINISHES• CUSTOM RAL FINISHES ARE AVAILABLE BY SPECIAL ORDER
DIMMING	<ul style="list-style-type: none">• 0 - 10V STANDARD
WEIGHT	<ul style="list-style-type: none">• 45 LBS MAXIMUM



DIRECT

LUNA BRIO CEILING



PROJECT: _____

TYPE: _____

QUANTITY: _____

941LUSSCL

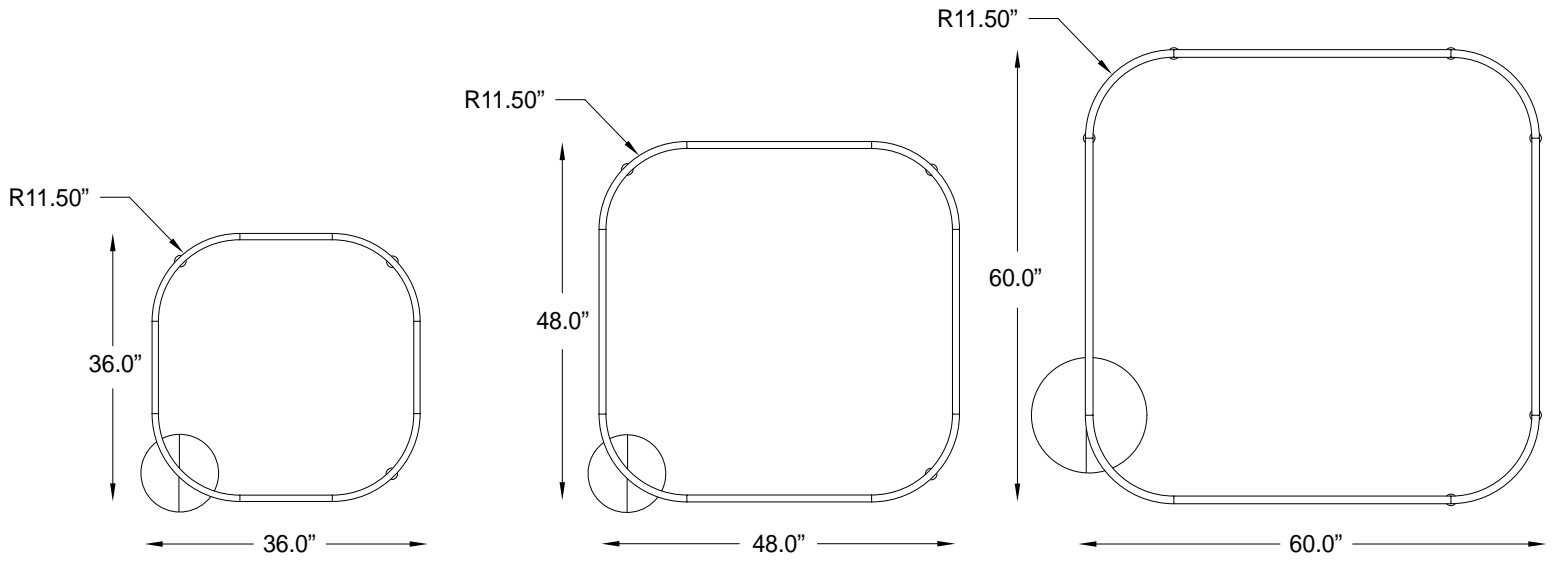
1 2 3 4 5 6 7

1.	3D	4D	5D	6D	7D	CUS				
SIZE	36"	48"	60"	72"	84"	CUSTOM SIZE (SPECIFY)				
LED (W)	34	48	63	78	93					
LUMENS	3126	4499	5877	7248	8624					
2.	H		M		L		C___ ¹			
OUTPUT	100% LUMEN OUTPUT		75% LUMEN OUTPUT		50% LUMEN OUTPUT		[CUSTOM] % LUMEN OUTPUT			
3.	30K			35K			40K			
CCT	3000			3500			4000			
4.	120			UNI			347			
VOLTAGE	120V			120V - 277V			347V			
5.	CD					RM				
DRIVER	CANOPY MOUNT					REMOTE MOUNT				
6.	F04	F05	F09	F15	F16	F18	F21	F31	F33	RAL
FINISH	MATTE WHITE	GLOSS WHITE	PEWTER	MATTE BLACK	GLOSS BLACK	SATIN ALUMINUM	ARCH BRONZE	SILVER METALLIC	PYRITE BRONZE	CUSTOM (SPECIFY)
7.	DIML					DIME				
DIMMING	STANDARD 0-10V					LUTRON HI-LUME (1%)				

1. CUSTOM PERCENTAGE I.E. 60%. CONSULT FACTORY.

NOTE: SOME OPTIONS MAY NOT BE COMPATIBLE WITH OTHERS. ALL SPECIFICATIONS ARE SUBJECT TO CHANGE WITHOUT NOTICE. CONTACT TMS LIGHTING FOR UPDATED SPECIFICATIONS.

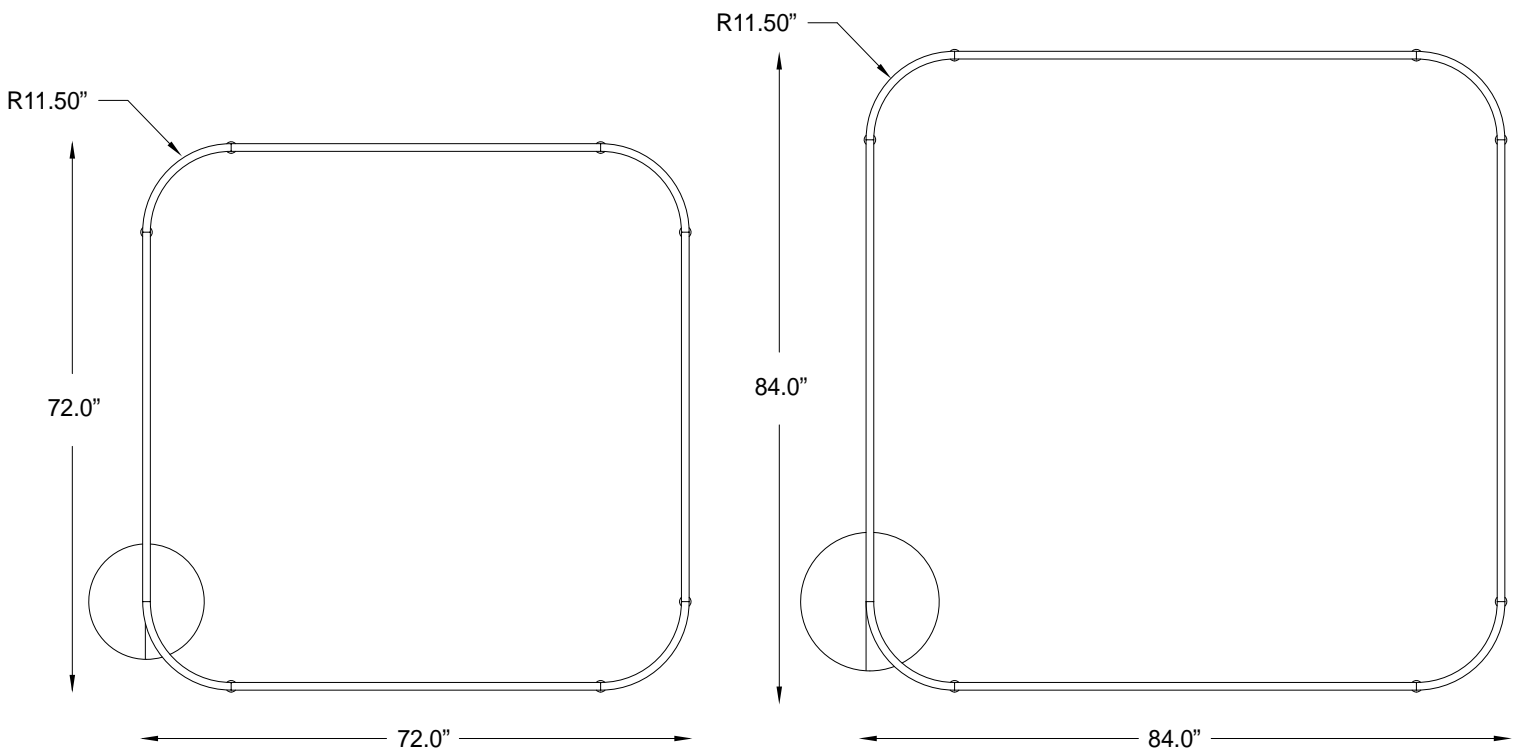
LUNA BRIO CEILING



3D

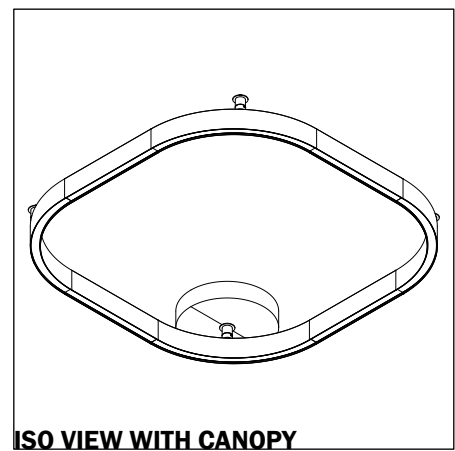
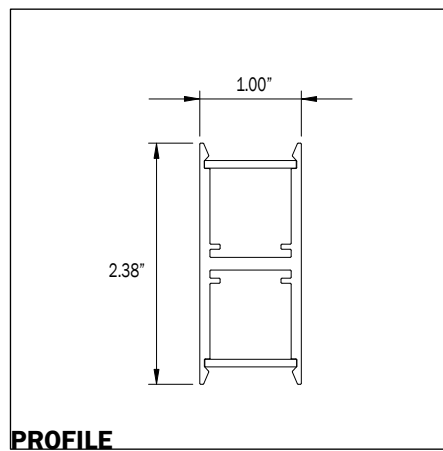
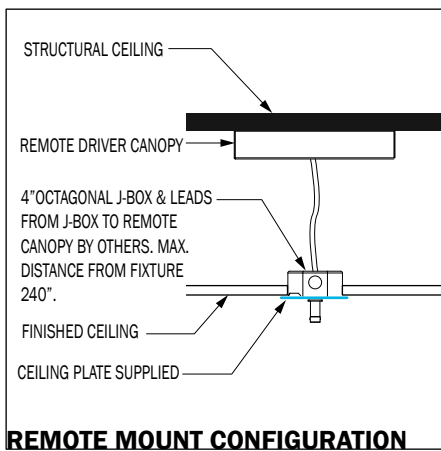
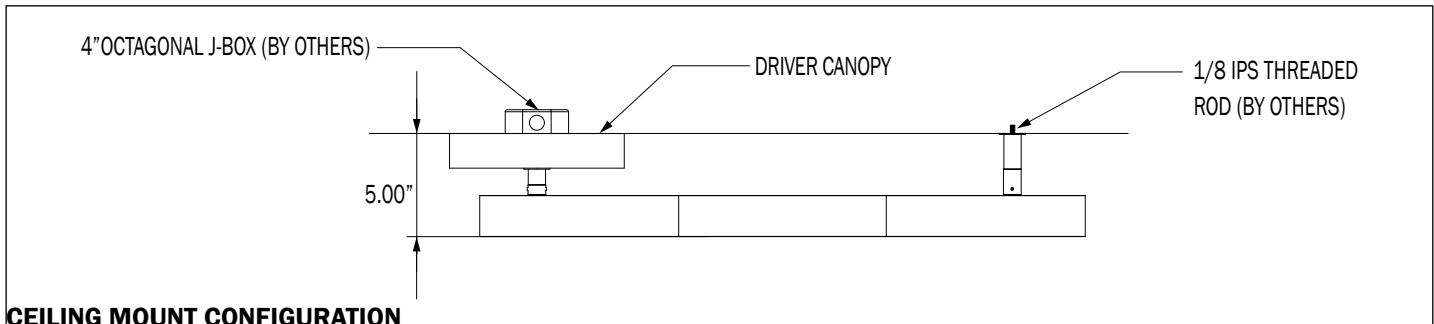
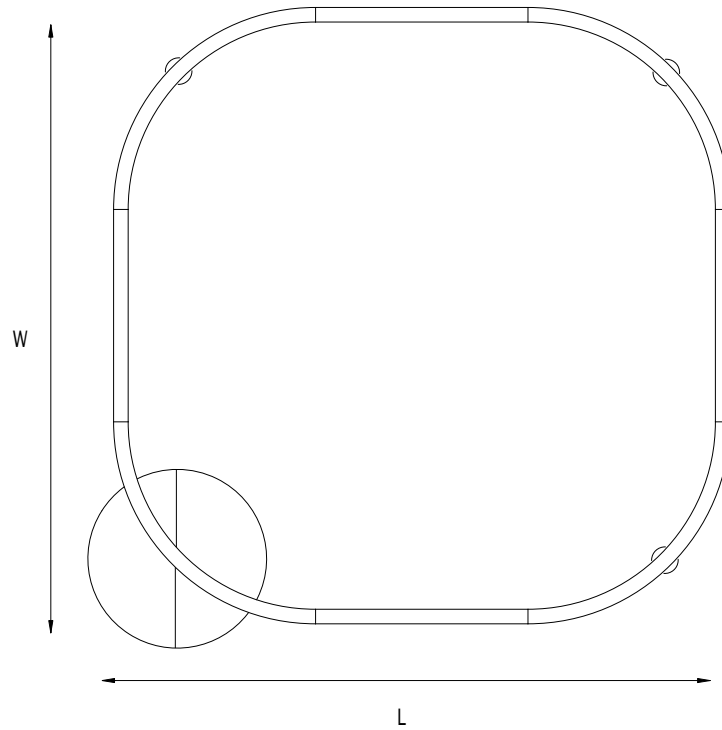
4D

5D



6D

7D

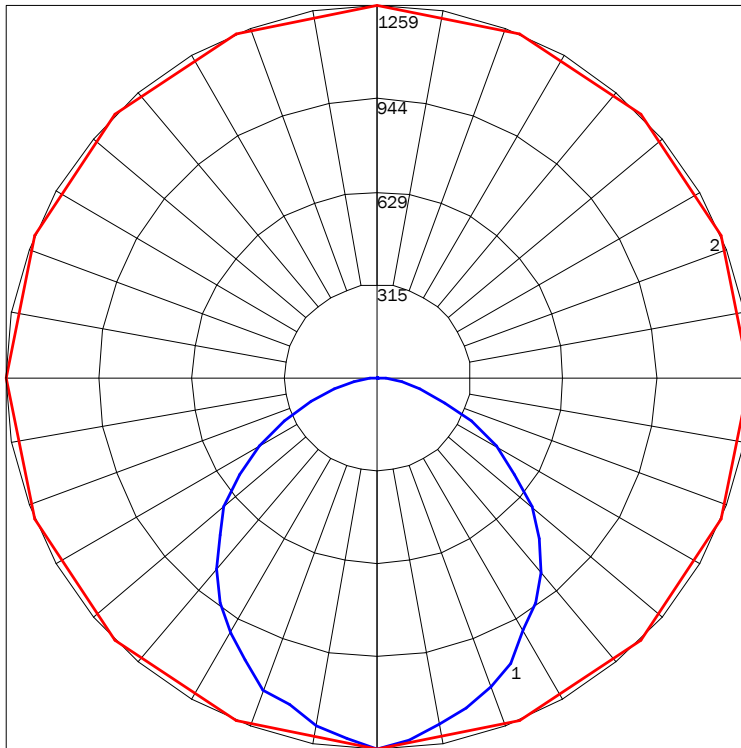


PN (INCH)	LUMENS	WATTAGE	CANOPY DIA	WEIGHT
3D (36")	3126	34	9"	20 LBS
4D (48")	4499	48	14"	25 LBS
5D (60")	5877	63	14"	31 LBS
6D (72")	7248	78	17"	37 LBS
7D (84")	8624	93	17"	45 LBS

IES INDOOR REPORT

PHOTOMETRIC FILENAME : 971LUSCL 3D 35K F05.IES

POLAR GRAPH



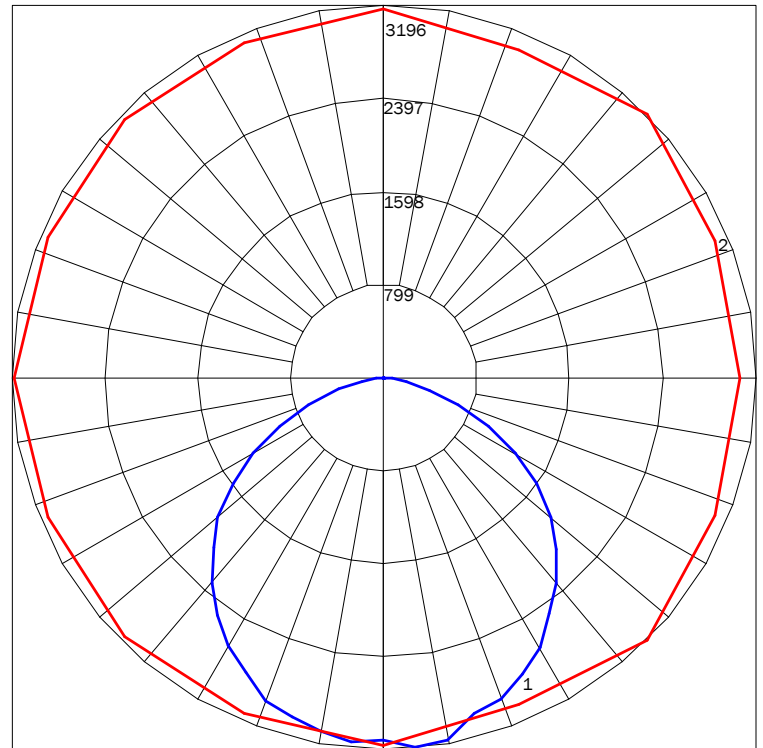
MAXIMUM CANDELA = 3893.9 LOCATED AT HORIZONTAL ANGLE = 90, VERTICAL ANGLE = 5
 # 1 - VERTICAL PLANE THROUGH HORIZONTAL ANGLES (90 - 270) (THROUGH MAX. CD.)
 # 2 - HORIZONTAL CONE THROUGH VERTICAL ANGLE (5) (THROUGH MAX. CD.)

LUMINAIRE LUMENS	3126
TOTAL LUMINAIRE EFFICIENCY	60%
LUMINAIRE EFFECIENCY RATING	93
TOTAL LUMINAIRE WATTS	34

IES INDOOR REPORT

PHOTOMETRIC FILENAME : 971LUSCL 7D 35K F05.IES

POLAR GRAPH



MAXIMUM CANDELA = 3889.18 LOCATED AT HORIZONTAL ANGLE = 67.5, VERTICAL ANGLE = 5
 # 1 - VERTICAL PLANE THROUGH HORIZONTAL ANGLES (67.5 - 247.5) (THROUGH MAX. CD.)
 # 2 - HORIZONTAL CONE THROUGH VERTICAL ANGLE (5) (THROUGH MAX. CD.)

LUMINAIRE LUMENS	8624
TOTAL LUMINAIRE EFFICIENCY	60%
LUMINAIRE EFFECIENCY RATING	93
TOTAL LUMINAIRE WATTS	93

AVAILABLE FINISHES



F04
MATTE
WHITE



F05
GLOSS
WHITE



F09
PEWTER



F15
MATTE
BLACK



F16
GLOSS
BLACK



F18
SATIN
ALUMINUM



F21
ARCH
BRONZE



F31
SILVER
METALLIC



F33
PYRITE
BRONZE



RAL
CUSTOM
COLOR
(RAL #)

Displayed finishes differ between screens as well as printers and may not accurately depict color.